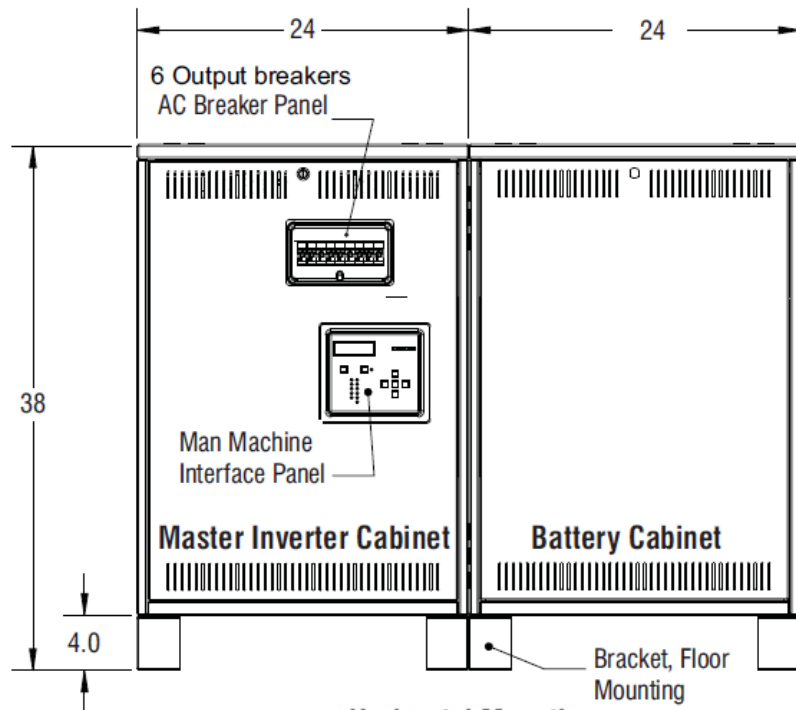


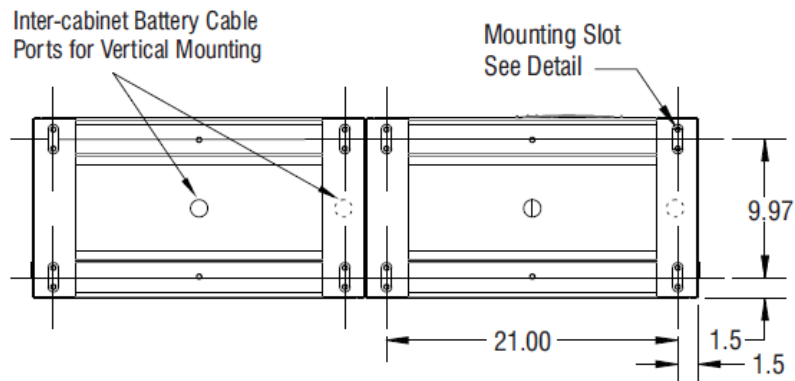
PROJECT NAME:	APPROVED BY:
CATALOG NO:	TYPE NO:

SEISMIC DIMENSIONAL OUTLINE

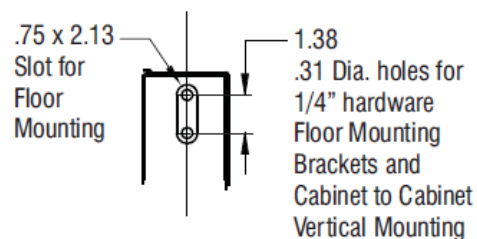
3.0KW Three Phase (3P) Inverter (Electronics) Cabinet and Battery Cabinet



Horizontal Mounting



Floor Mounting Bolt Pattern



Mounting Slot Detail