

Waylighter

by Evenlite

INSTALLATION INSTRUCTIONS

LOW LEVEL EMERGENCY LIGHTING SYSTEM

IMPORTANT SAFEGUARDS

When using electrical equipment, basic safety precautions should always be followed including the following:

READ AND FOLLOW ALL SAFETY INSTRUCTIONS

1. Before wiring to power supply, disconnect power at fuse or circuit breaker.
2. Disconnect A.C. power before servicing.
3. Refer to wiring instructions sheet for proper connections.
4. Consult your local building code for approved wiring and installation.
5. Do not use outdoors.
6. Do not mount near gas or electric heaters.
7. Maximum mounting height 18".
8. The use of accessory equipment not recommended by the manufacturer may cause an unsafe condition.
9. Do not use this equipment for other than intended use.
10. Servicing of this equipment should be performed by qualified service personnel.

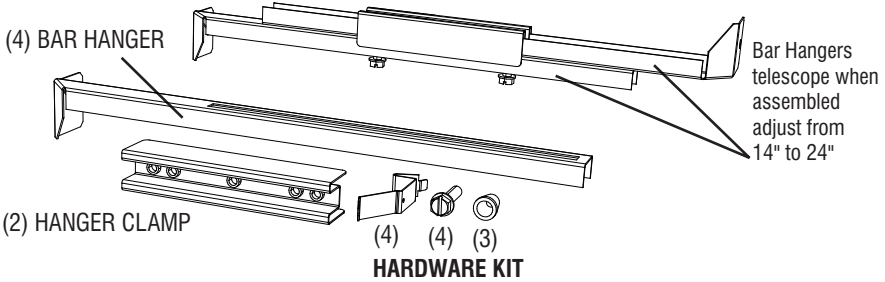
SAVE THESE INSTRUCTIONS

2575 Metropolitan Dr • Trevose • PA 19053 U•S•A
Telephone: (215) 244-4204 • Fax: (215) 244-4208

BACKBOX INSTALLATION

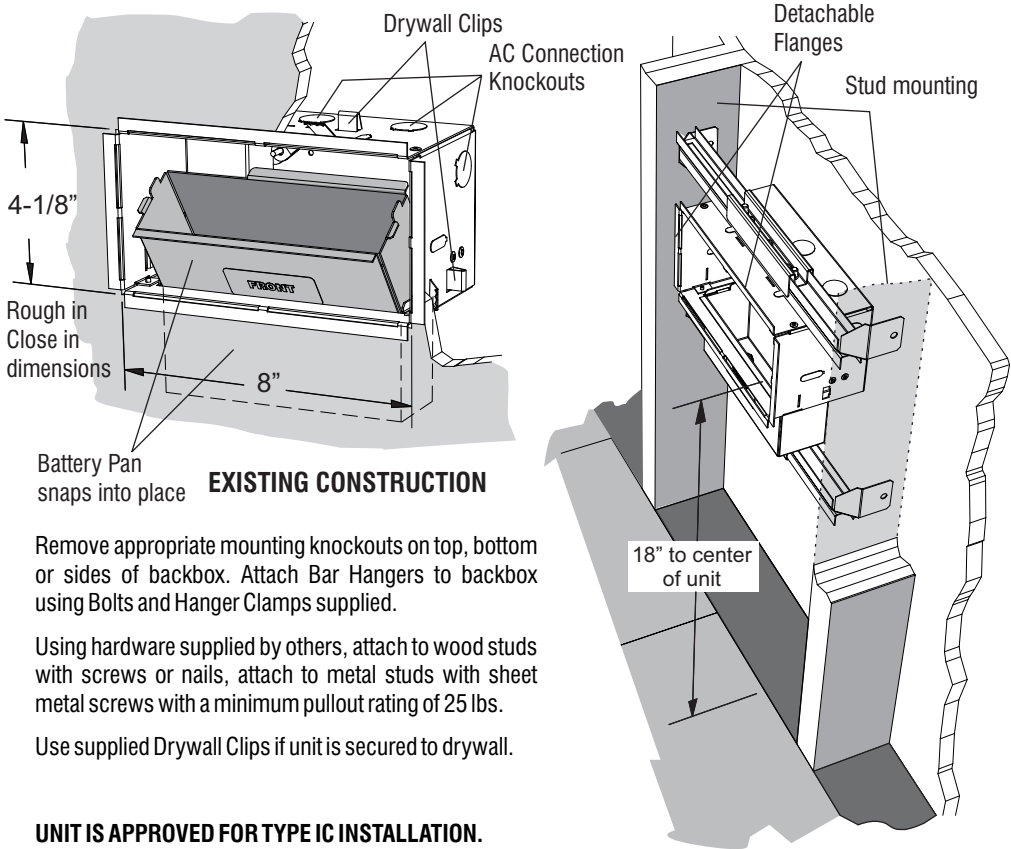
**DO NOT INSTALL SPLICE BOX COVER INTO BACKBOX
UNTIL WIRING IS COMPLETE**

BAR HANGERS



ROUGH-IN WALL MOUNT

SUPPORTING MEMBERS MUST BE ABLE TO SUPPORT A LOAD OF AT LEAST 15 LBS.



Remove appropriate mounting knockouts on top, bottom or sides of backbox. Attach Bar Hangers to backbox using Bolts and Hanger Clamps supplied.

Using hardware supplied by others, attach to wood studs with screws or nails, attach to metal studs with sheet metal screws with a minimum pullout rating of 25 lbs.

Use supplied Drywall Clips if unit is secured to drywall.

UNIT IS APPROVED FOR TYPE IC INSTALLATION.

CLOSE-IN WALL MOUNT

DRY WALL:

Cutout hole in wall material should be 4-1/8" high by 8" wide. Align backbox so lamphead opening is flush, or slightly behind wall surface.

WET WALL:

Plaster flush up against lamphead opening.

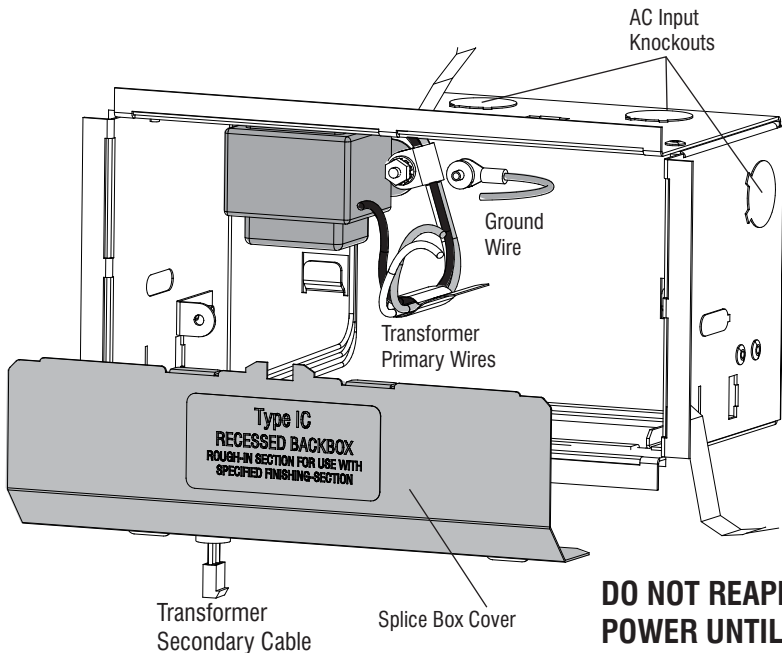
WIRING INSTRUCTIONS

DE-ENERGIZE BRANCH CIRCUIT AT BREAKER PANEL

Select and remove desired knockout(s) for AC power input with at least 6" of AC power leads extending into backbox. Secure cable with approved wire clamp and make connections using wire nuts supplied. Connect wires per local codes. Connect to transformer as follows:

BLACK Lead for **120V** or **ORANGE** Lead for **277V** (CAP UNUSED LEAD) **WHITE** Lead for **Neutral**

Connect **GREEN/YELLOW** Lead for **GROUND**. Dress AC and Ground wires down to bottom of backbox.



INSTALL SPLICE BOX COVER

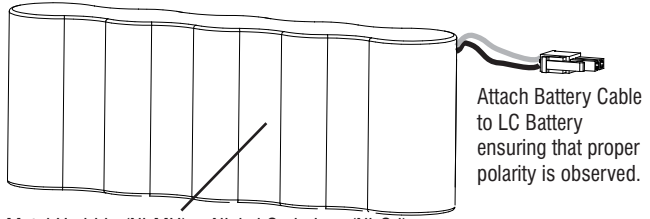
Feed transformer secondary cable (with connector) through hole in splice box cover and insert tabs into slots on rear of back box. Snap front tabs into slots on top, front flange of backbox.

BATTERY AND LAMPHEAD INSTALLATION

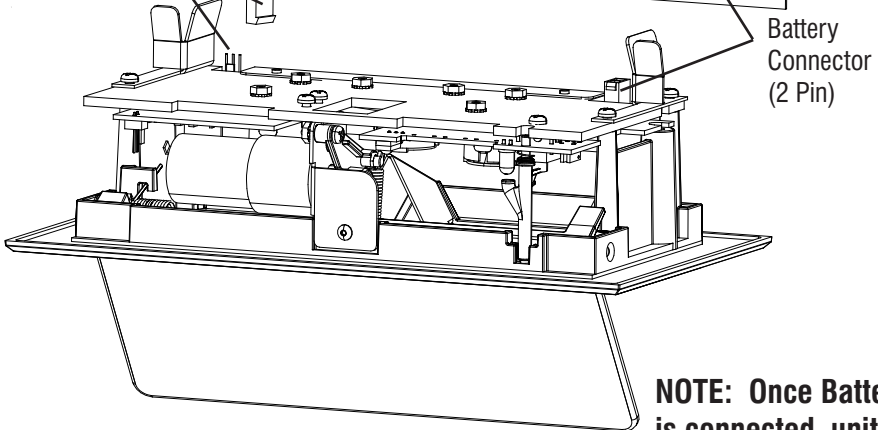
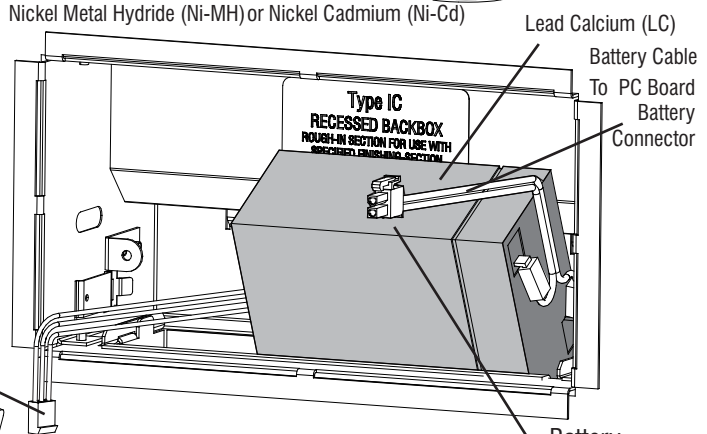
NOTE: Disconnected Battery must be recharged within 120 days.

This product is supplied with a choice of 3 types of battery sources:

Sealed Lead Calcium (LC) -
Nickel Metal Hydride (Ni-MH) -
Nickel Cadmium (Ni-Cd)



Insert Battery (TERMINALS OR CONNECTORS FACING OUT) through Lamphead opening. Allow Transformer Cable to extend out through Lamphead opening.

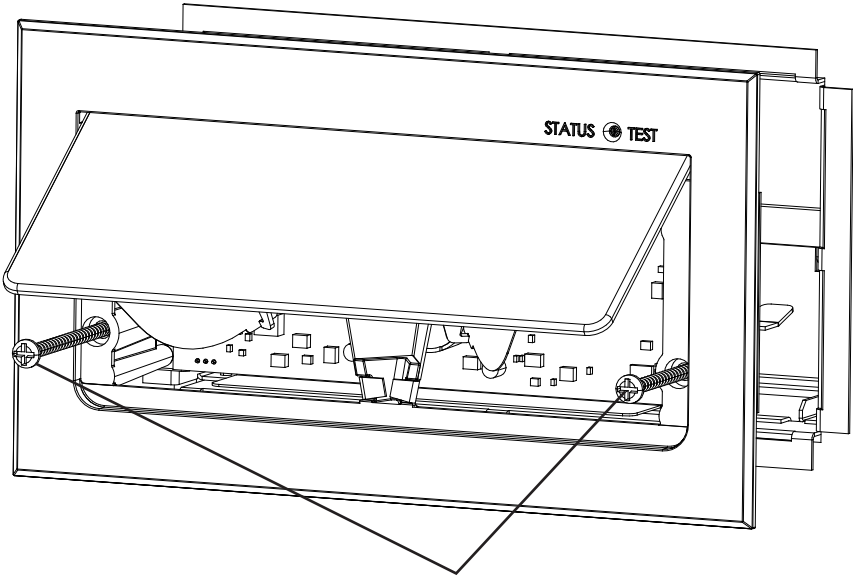


NOTE: Once Battery is connected, unit must be energized within 30 days.

Connect 2 pin Battery Cable first, then 3 pin Transformer Cable to matching sockets on Printed Circuit Board. **BATTERY CABLE, WITH BATTERIES CONNECTED, MUST BE ATTACHED BEFORE AC POWER IS APPLIED.**

Install lamphead by first locating in place in Backbox opening, and firmly pushing lamphead back until frame is flush to wall surface.

Secure with two 2-1/2 inch Lamphouse mounting screws supplied.



2-1/2 inch Lamphouse Mounting Screws

ON-SITE PAINTING

The door and frame have been factory painted. If a new finish is applied, extreme care should be taken that a seal is not formed between the door and frame, which may hinder the free operation of the door mechanism.

If the finish is sprayed on, we suggest that a thin cardboard or plastic strip be inserted between the door and frame to prevent a paint seal. The STATUS/TEST switch hole should also be masked.

After the new finish is applied, a sharp edge such as a single edge razor or utility knife should be inserted a maximum of 1/4 inch into the opening between the door and frame, and run around the door to ensure no seal is formed.

SETUP AND OPERATION

REAPPLY POWER AND NOTIFY THE AUTHORITY HAVING JURISDICTION.

ALLOW BATTERIES TO CHARGE FOR AT LEAST 48 HOURS BEFORE OPERATING UNIT.

STATUS/TEST - The "STATUS/TEST SWITCH" is used to simulate failure of AC power. It can be activated with a paper clip.

INFRA RED REMOTE TESTING - To activate TRANSMITTER, remove tab from back of device. The "IR REMOTE TESTING TRANSMITTER" can activate the unit by aiming TRANSMITTER toward face of unit and pushing either "30 SECOND" or "90 MINUTE" button for 1 second. Power failure will be simulated for the selected duration. The test can be cancelled by pushing button again.

TIME DELAY - A 15 minute time delay is available as a factory option. This option will keep the unit operating on battery backup for 15 minutes after power is restored. This feature allows HID lamps to warm up before the emergency lights are extinguished.

SELF-TESTING / SELF-DIAGNOSTICS

This unit meets the requirements of NFPA 101 for Periodic Testing of Emergency Lighting Equipment. It provides visual indication of unit malfunctions including:

Battery Fault
Charger Fault
Transfer Fault
Lamp Fault
Door Fault

SELF-TEST

An automatic self-test and diagnostic function will be performed every 28 days. A load test will be performed for 30 seconds checking for a lamp, battery or transfer fault. A door function test will follow the load test, during which the door will open for approximately 1 second and then close, without the lamps turning on. This automatic self-test and diagnostic function will be performed only if the battery is fully charged. If not, the test will automatically reschedule. The charger function is monitored continuously.

USER-TEST

A manual USER-TEST can be performed for 30 seconds or 90 minutes. By pushing the TEST Switch for 1 second, the door will open and the lamps will illuminate for 30 seconds. If the STATUS indicator shows GREEN indicating a fully charged Battery and the Switch is pushed for 4 seconds, the door will open and the lamps will illuminate for 90 minutes. If the Battery is not fully charged, the 30 second test will run.

In either mode, the USER-TEST can be cancelled by pushing and holding the TEST Switch for 1 second after the lamps turn on.

LAMP LOAD LEARN

The self-diagnostic system learns the lamp load during the first test. Subsequent tests compare the measured lamp load during the test to the learned lamp load values.

CLEARING FAILURE INDICATIONS

Failure indications can be cleared by correcting the indicated fault and pushing and holding the TEST Switch for 1 second.

STATUS INDICATIONS

Status indications for the self-testing / self-diagnostic system are shown on the following page.

STATUS INDICATIONS

STATUS DISPLAY	FUNCTION	ACTION
Continuous Green	Battery in Float / Trickle Charge	None
Continuous Red	Battery High Charging	Wait for Green Status
Flashing Green	In Test Mode	Wait for Test to Complete
Alternate Red and Green	Insufficient Charge For User Test	Wait for Adequate Charge*
Red One Blink ON / Pause	Transfer System Failure	Factory Service
Red Two Blinks ON / Pause	Battery Failure	Check Connections / Replace Battery
Red Three Blinks ON / Pause	Charger Failure	Factory Service
Red Four Blinks ON / Pause	Door Failure	Check for Paint Seal
Red Five Blinks ON / Pause	Lamp Failure	Factory Service

* For 90 minute User Tests, wait for full charge.
For 30 second User Tests, try again after an hour of charging.

MAINTENANCE

REMOVAL OF SPLICE BOX COVER - Splice Box Cover can be removed from backbox by inserting flat blade screwdriver into center slot and twist.

BATTERY - The battery supplied in this unit requires no maintenance. It will be periodically tested by the SELF-TESTING / SELF-DIAGNOSTIC system according to the requirements of NFPA 101. If battery replacement is required, replace using the BATTERY INSTALLATION procedure. If unit was supplied with a Lead Calcium (LC) battery, replace with part number B250010 only. If unit was supplied with a Nickel Cadmium (Ni-Cd) battery, replace with part number B310014 only. If unit was supplied with a Nickel Metal Hydride (Ni-MH) battery, replace with part number B350004 only. Do not interchange battery types.

Used batteries may not be disposed of in the municipal solid waste stream. Arrangements for recycling batteries can be made by contacting www.call2recycle.org