

SENTRY CCDS Series

Die Cast Aluminum LED Exit Signs



Architectural quality die cast aluminum, the Sentry Series appeases the discriminating eye with softened corners, low profile 2.4" chamfered edges in a standard contrast finish of brushed aluminum stencil over a black body, or is available in subtle all white or all black finish.

Features

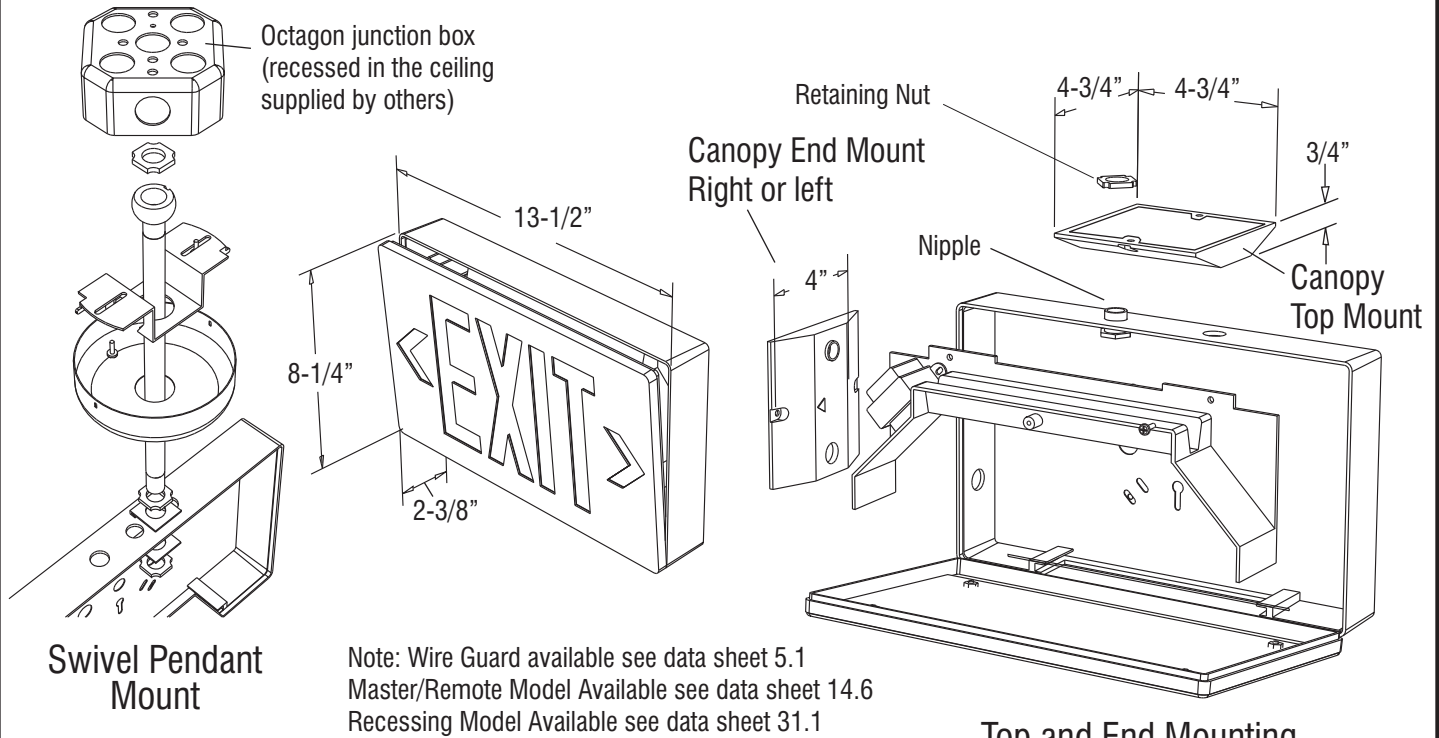
- Maintenance free LED light source with 25+ years life expectancy
- High intensity LED array provides exceptional energy efficiency with just 1 watt power consumption for both single and double face AC models. Battery backup models consume just 2.5 watts, .77 power factor
- Vivid legend illumination approx. 4 times the minimum UL 924 requirement
- Injection molded internal cavity reflector provides ease of installation and maintenance together with perfectly Even legend illumination
- Spectrally matched fluorescent diffuser for superior visual brightness and uniformity
- **Self-Diagnostic** Battery monitoring on all 'EM' models
- 4 Hour battery backup runtime with premium long life, high temperature fused nickel cadmium battery pack. 120 or 277 VAC field selectable input with quick install push-wire connectors
- Electronic control circuit applies **full wave**, low ripple current to each LED thereby optimizing life and light output. A diagnostic self-compensating constant current charger circuit monitors the condition of the battery pack and indicates via a flashing LED when battery needs replacing
- Circuitry includes - Zero current LVCO, Brownout sensing & Line-Latch

Construction

- Two piece thick wall construction from heavy duty die cast aluminum alloy, removable front stencil face with overlapping light seal.
- Fine grain brushed aluminum stencil face standard. Other finishes available
- Full size 100' viewing distance field selectable Chevron indicators
- Hidden knock out access points and universal pattern
- Low profile universal canopy with cast 3/4" nipple and locking nuts
- Optional recessing frame, polycarbonate face shield with tamper proof access screws, pendant & specialty mounts
- Remote Capable
- Approved for use in New York City. #40184
- Tested, approved and listed by Underwriters Laboratories to UL 924
- 5 Year Warranty



SENTRY CCDS Series Die Cast Aluminum LED Exit Signs



SENTRY Ordering Guide

CCDS - EM - R - 1 - AB - CN - F

AC AC Only 120/277 VAC
EM Battery Backup

R Red
G Green

Letter Color

1 Single
2 Double

No. of Faces

AB Brushed Face, Black Body
BB All Black
WW All White
AA All Brushed Aluminum
AW Brushed Face, White Body
CC Custom Color

Body Color

Options

- F** Flash in Emergency Mode (EM models) or continuous Flash in AC models
- FZ** F option including Buzzer
- FA** Flash in AC and Emergency mode on 12-24V (AC or DC) normally off fire alarm signal. (Available for AC and EM models)
- FB** FA option including Buzzer
- DK** Two Circuit Input, 120 or 277 V (AC models)
- DL** Damp Location
- TP** Tamperproof Screws
- PC1** 1/8" Polycarbonate Faceplate (includes TP)
- SD** Self-Test / Self-Diagnostic
- M990010** Wire Guard
- IR** Infra-Red Remote Testing Receiver Option
- TLRT** Infra-Red Remote Hand Held Transmitter (order separately)

Mounting

- 1B** Back Mount, No Canopy
- CN** Canopy Mounting Kit
- PA** 12" Swivel Pendant Mount
- PB** 24" Swivel Pendant Mount
- PC** 36" Swivel Pendant Mount
- PD** 48" Swivel Pendant Mount

Project Name:	Approved By:
Catalog No:	Type No: