

Lifeline

Self-Luminous Exit Signs LEX Series



Lifeline LEX Series provides a contemporary design with a rugged, low profile molded thermoplastic housing and hidden tamper resistant wall mounting hardware.

Features

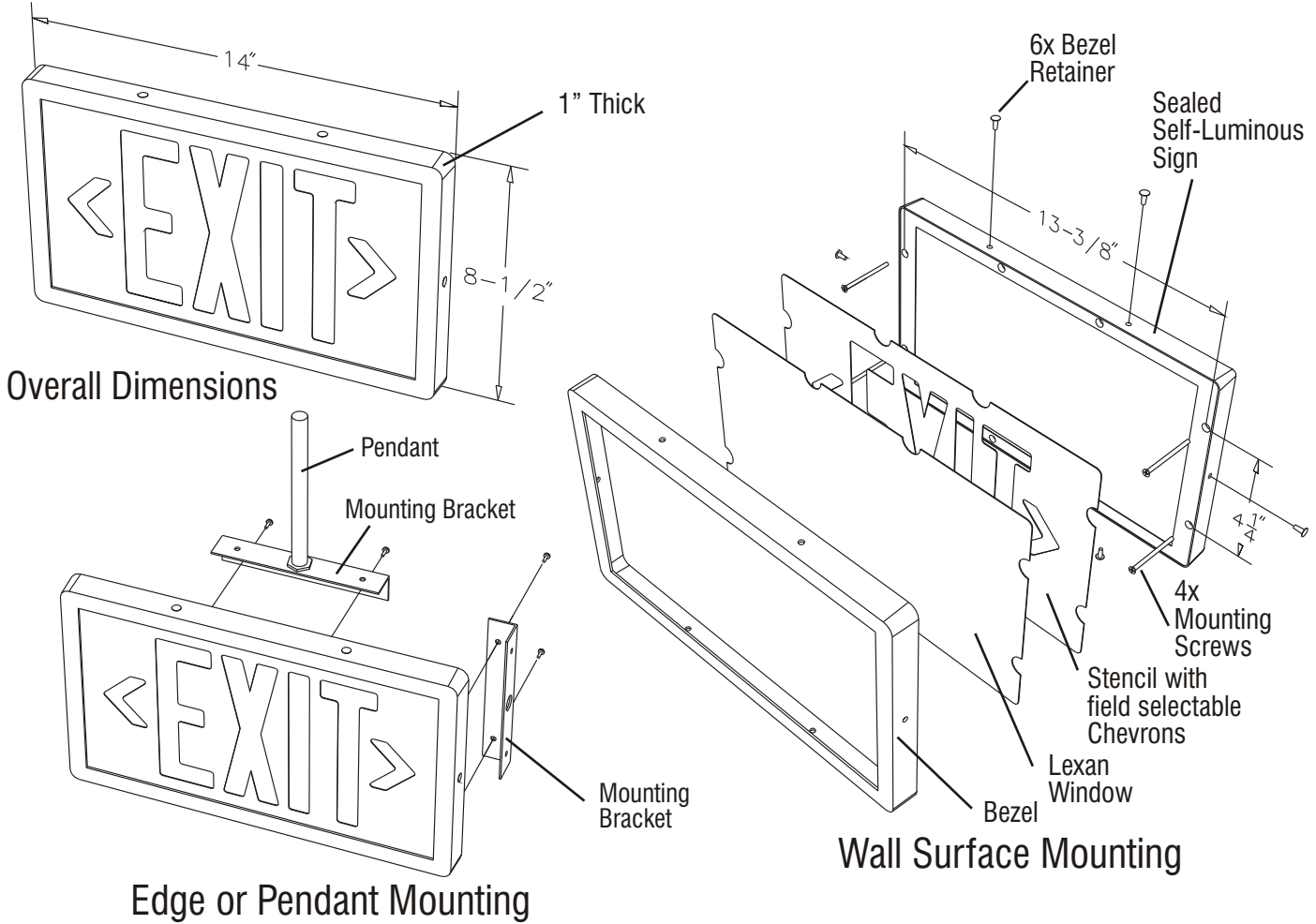
- Non-electrical internally illuminated by sealed tritium gas light sources
- 100% reliable: Requires no external light source, electrical power, wiring or battery and is maintenance free
- Suitable for damp or wet locations
- Green light output for maximum visibility in emergency conditions.
- 125 foot visibility rating
- Available in service life ratings of 10, 15 or 20 years
- Tested, approved and listed by Underwriters Laboratories to UL 924 and British standard 5499 PT2
- Limited warranty for the rated life of the product
- As there is no electrical ignition source, the Lifeline is suitable for use in hazardous atmospheres, damp and wet locations. Meets NEC Article 500, Class 1, 11, and 111 conditions

Construction

- Rugged thermoplastic ABS injection molded housing with tamper resistant finishing bezel
- Sealed internal construction prevents unauthorized access to light tubes
- Field selectable chevron Indicators
- Heavy duty universal mounting bracket supplied with mounting hardware
- Suitable for wall, ceiling, end mount or optional pendant mounting
- Special Green Legend Option (GL) provides a green illuminated legend apparent in both dark and ambient lighting conditions. Available in 10 and 15 year rated signs with red, black or white background



Lifeline Self-Luminous Exit Signs LEX Series



Lifeline Ordering Guide

Recessed Mount Model
 See Data Sheet 7.6
 Institutional Cast Aluminum
 See Data Sheet 5.6

Model	Lifeline LEX Thermoplastic
--------------	--------------------------------------

LEX - 10 - 1 - G - W - PA

Service Life	10 10 Years 15 15 Years 20 20 Years
---------------------	---

Number of Faces	1 Single Face 2 Double Face
------------------------	--------------------------------

Face Color	R Red G Green B Black W* White
-------------------	---

Options	PA 12" Swivel Pendant PB 24" Swivel Pendant PC 36" Swivel Pendant PD 48" Swivel Pendant GL Green Letters - Available for 10 or 15 year signs R, B or W face color
----------------	--

Frame Color	W White B Black GY Gray
--------------------	-------------------------------

*White Face, only for use with option GL



3161 State Road
 Bensalem, PA 19020
 Tel: (800)872 0879
 Fax: (215)244 4208
 www.evenlite.com 09/07

Fixture Schedule

Project Name:	Approved By:
Catalog No:	Type No: