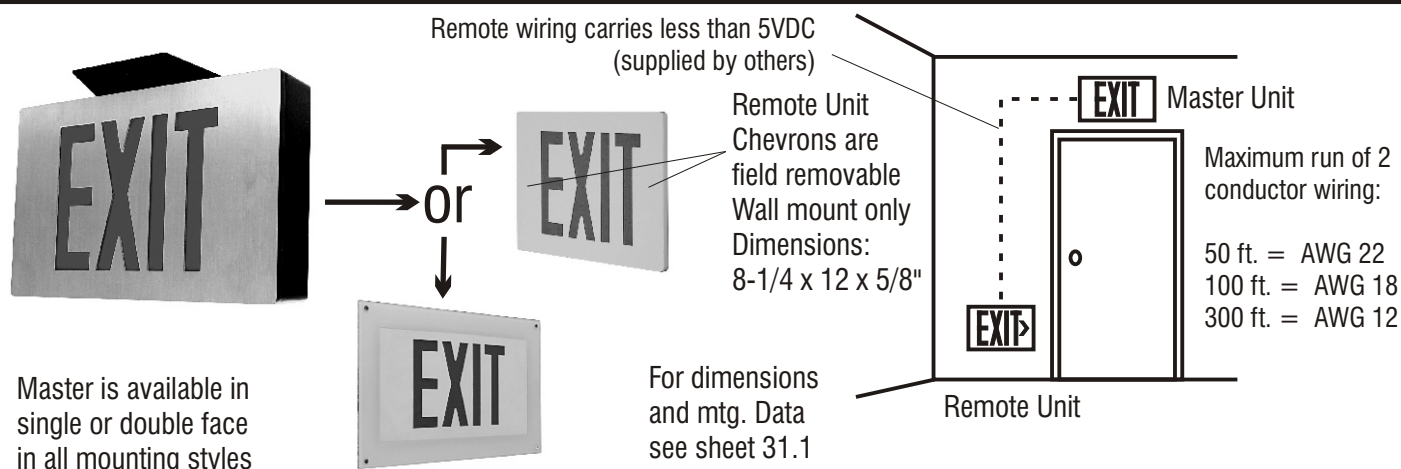


# SENTRY CCDMR Series Master-Remote LED Exit Signs



**Architectural quality die cast aluminum Master - Remote Exit Sign. Sentry Master feeds Razor low profile 5/8" surface mount or Sentry recessed remote sign, thereby maintaining matching appearance and ease of installation.**

## Features

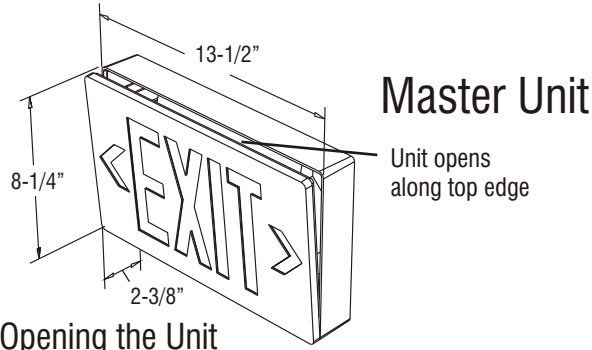
- Master - Remote operation with low voltage interconnect (Supplied by others)
- Low Profile Razor remote or Sentry recessed with polycarbonate face plate
- Maintenance free LED light source with 25+ years life expectancy
- High intensity LED array provides exceptional energy efficiency with just 1 watt power consumption for both single and double face AC models. Battery backup models consume just 2.5 watts, .77 power factor
- Vivid legend illumination approx. 4 times the minimum UL 924 requirement
- Injection molded internal cavity reflector provides ease of installation and maintenance together with perfectly even legend illumination
- Spectrally matched fluorescent diffuser for superior visual brightness and uniformity
- **Self-Diagnostic** Battery monitoring on all 'EM' models
- 2 Hour battery backup runtime with premium long life high temperature fused nickel cadmium battery pack
- 120 or 277 VAC field selectable input on Master with quick install push-wire connectors
- Electronic control circuit applies **full wave**, low ripple current to each LED thereby optimizing life and light output. A diagnostic self-compensating constant current charger circuit monitors the condition of the battery pack and indicates via a flashing LED when battery needs replacing
- Circuitry includes - Zero current LVCO, Brownout sensing & Line-Latch

## Construction

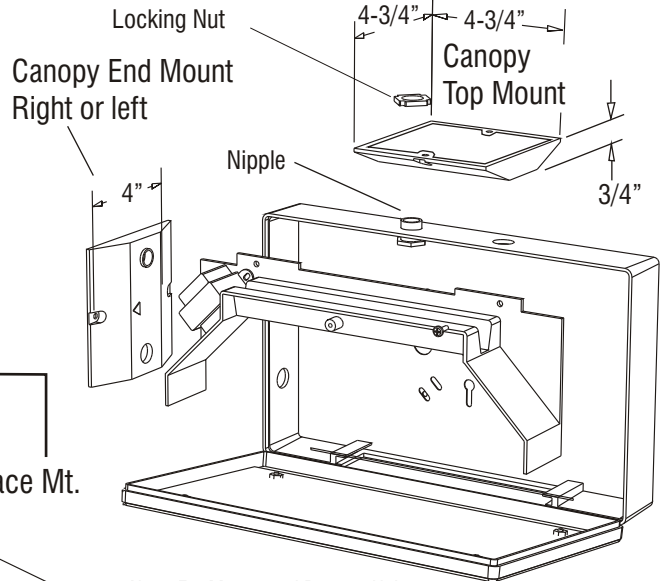
- Two piece, thick wall construction from heavy duty die cast aluminum alloy, removable front stencil face with overlapping light seal.
- Fine grain brushed aluminum stencil face standard. Other finishes available
- Field selectable chevron indicators.
- Hidden knock out access points and universal pattern
- Low profile universal canopy for Master with cast 3/4" nipple and locking nuts
- Razor Remote only 5/8" thick surface mount with hidden mounting hardware
- Optional Recessed Sentry Remote comprises a quick fit old or new work recessing pan for the standard Sentry (same housing as master) with a trimmed 1/8" thick polycarbonate flush wall cover with tamper resistant hardware
- Single Face Master can also be ordered with a Recessing Kit "RE"
- Tested, approved and listed by Underwriters Laboratories to UL 924
- 5 Year Warranty



# SENTRY CCDMR Series Master-Remote LED Exit Signs

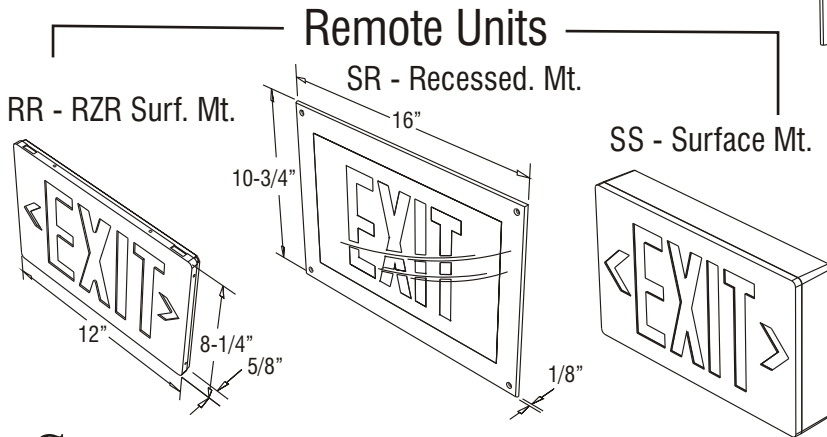


Opening the Unit



Note: For Master and Remote Units:  
Wire Guard available see data sheet 5.1  
For RZR Remote: Polycarbonate Security Cover available see data sheet 4.6

Top and End Mounting



## SENTRY Master - Remote Ordering Guide

CCDMR - EM - R - 11 - AB - CN - RR - F

**AC** AC Only 120/277 VAC  
**EM** Battery Backup

**R** Red EXIT Master, Red EXIT Remote  
**G** Green EXIT Master, Green EXIT Remote  
**Legend**  
Master can also power a Custom Remote  
Consult Factory for details

**11** Single Face Master, Single Face Remote  
**21** Double Face Master, Single Face Remote  
**12** Single Face Master, Double Face Remote  
**22** Double Face Master, Double Face Remote  
**No. of Faces**

**AB** Brushed Face, Black Body  
**BB** All Black  
**WW** All White  
**AA** All Brushed Aluminum  
**AW** Brushed Face, White Body  
**CC** Custom Color (specify)  
**Body Color Master & Remote**

**F** Flash in Emergency Mode (EM models) or continuous Flash in AC models  
**FZ** F option including Buzzer  
**FA** Flash in AC and Emergency mode on 12-24V (AC or DC) normally off fire alarm signal. (Available for AC and EM models)  
**FB** FA option including Buzzer  
**DK** Two Circuit Input, 120 or 277 V (AC models)  
**DL** Damp Location  
**TM** Tamperproof Screws, Master Only  
**TR** Tamperproof Screws, Remote Only  
**T2** Tamperproof Screws, Master and Remote  
**PC1** 1/8" Polycarbonate Shield (includes TP) Master and Remote  
**PM** 1/8" Polycarbonate Shield (includes TP), Master Only  
**PR** 1/8" Polycarbonate Shield (includes TP), Remote Only  
**SD** Self-Test / Self-Diagnostic  
**IR** Infra-Red Remote Testing Receiver Option  
**TLRT** Infra-Red Remote Hand Held Transmitter (order separately)  
**M990010** Wire Guard  
**Options**

**RR** Razor Surface Mount  
**SR** Sentry Recessed Mount  
**SS** Sentry Surface Mount  
**Remote Options**

**1B** Back Mount, No Canopy  
**CN** Canopy Mounting Kit  
**CI** Industrial Canopy (Includes PM Option)  
**RE** Recessing Frame (Includes 1B Mount)  
**PA** 12" Swivel Pendant Mount  
**PB** 24" Swivel Pendant Mount  
**PC** 36" Swivel Pendant Mount  
**PD** 48" Swivel Pendant Mount  
**Mounting, Master**



3161 State Road  
Bensalem, PA 19020  
Tel: (800)872 0879  
Fax: (215)244 4208  
www.evenlite.com 10/07

Fixture Schedule

Project Name:	Approved By:
Catalog No:	Type No: