

SENTRY

LED Exit Signs CDW Series



The Sentry Wet Location provides the quality performance of the standard Sentry series enhanced with a solid 3/8" + die cast aluminum housing and 1/8" thick impact resistant injection molded polycarbonate shield. Ideal for wet location and high abuse vandal resistant applications.

Features

- Maintenance free LED light source with 25+ years life expectancy
- High intensity LED array provides exceptional energy efficiency and illumination
- Formed internal cavity reflector provides ease of installation and maintenance together with perfectly even legend illumination
- Long-Life Neoprene gasket provides IP65 Wet Location Listing
- Cold weather option provides operation in temperature extremes of - 40°F to 126°F
- Self-Test / Self-Diagnostic circuitry included as standard on all 'EM' models, monitoring critical functions with a monthly 5 minute discharge and a bi-annual and annual full system test
- Premium long life high temperature nickel cadmium battery pack
- 120 or 277 VAC field selectable input
- Electronic control circuit applies full wave, low ripple current to each LED thereby optimizing life and light output
- Circuitry includes - Zero current LVCO, Brownout sensing & Line-Latch
- Infra Red remote testing function available

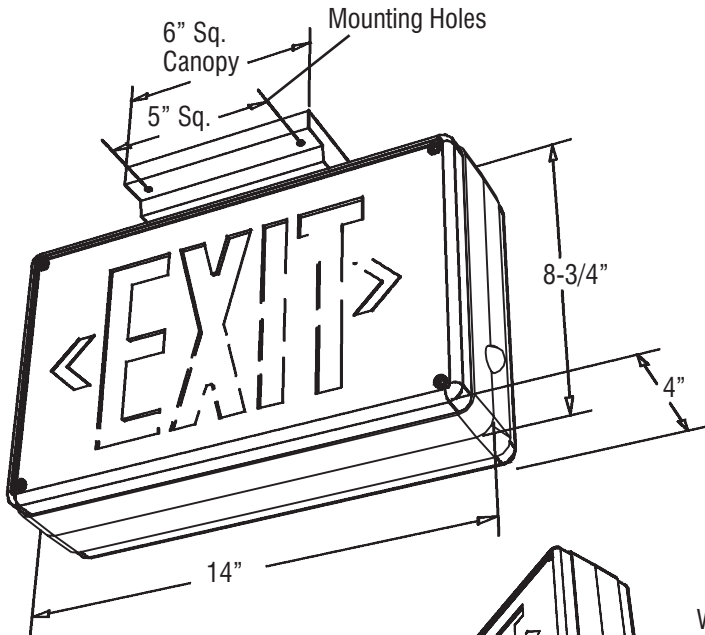
Construction

- Heavy duty pressure die cast aluminum alloy with a minimum .420" wall thickness
- Finished in a matte black (standard) or white durable powder coat
- Vandal resistant, injection molded clear U.V. stabilized polycarbonate face affixed with tamper resistant stainless steel screws
- Field selectable Chevron indicators
- Hidden knock-out access points and universal mounting pattern
- Low profile canopy option with brass 3/4" nipple
Field installed gasket and hardware provided
- Suitable for indoor, outdoor, damp or wet locations
- Listed to UL924
- 5 Year Warranty

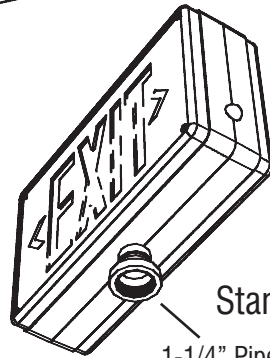


SENTRY

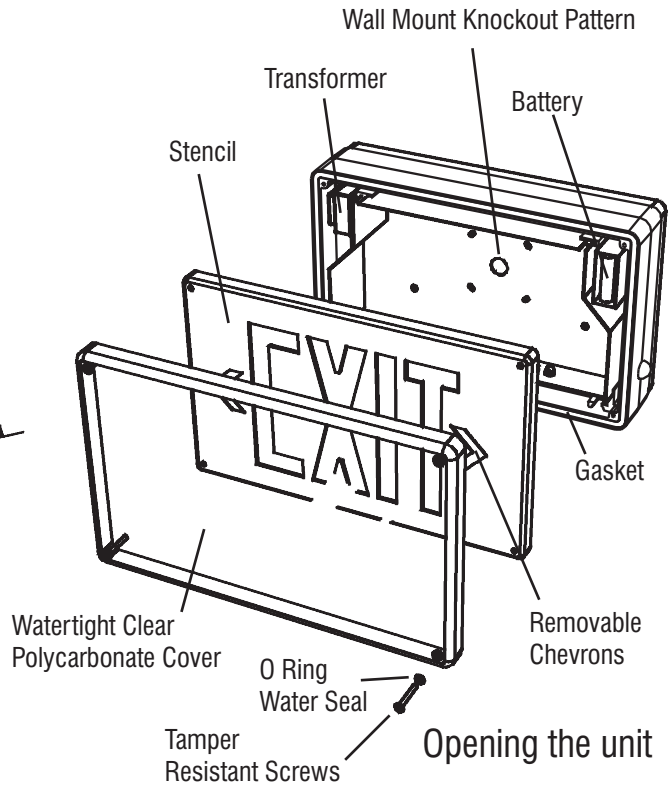
LED Exit Signs CDW Series



Top and End Mounting
(Field Installed)



Stanchion Mount
1-1/4" Pipe Receptacle (wire exit)



SENTRY

Ordering Guide

CDW - EM - R - 1 - BB - CN - CT

AC AC Only 120/277 VAC
EM Battery Backup with Self-Test / Self-Diagnostics

R Red
G Green
Letter Color

1 Single
2 Double
No. of Faces

BB All Black (Standard)
WW All White
CC Custom Color (consult factory)
Body Color

Options

CT Cold Temperature Operation
F Flash in Emergency Mode (EM models) or continuous Flash in AC models
BZ Buzzer
2H Two Hour Battery Run Time
RT Infra-Red Remote Testing Receiver Option
TLRT Infra-Red Remote Hand Held Transmitter (order separately)

Mounting

1B Back Mount, No Canopy
CN Canopy Mounting Kit
PA 12" Swivel Pendant
PB 24" Swivel Pendant
PC 36" Swivel Pendant
PD 48" Swivel Pendant
SM Stanchion Mount (1-1/4" Pipe)



3161 State Road
Bensalem, PA 19020
Tel: (800)872 0879
Fax: (215)244 4208
www.evenlite.com 02/06

Fixture
Schedule

Project Name:	Approved By:
Catalog No:	Type No: