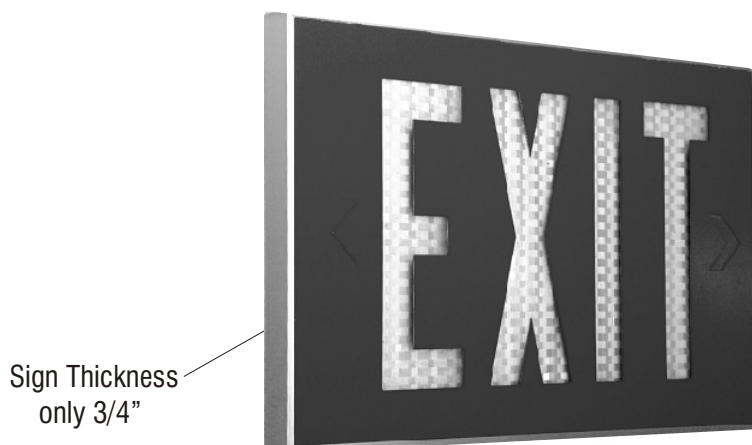


Slimline

Self-Luminous Exit Signs SL Series



Sign Thickness
only 3/4"

Sleek and slender, the Slimline SL provides a quality architectural appearance in a low profile and durable aluminum housing.

Features

- Non-electrical, internally illuminated by sealed tritium gas light sources
- 100% reliable, maintenance free and always on. Requires no external light source, electrical power, wiring or batteries
- As there is no electrical ignition source, the Slimline is suitable for use in hazardous atmospheres, damp and wet locations. Meets NEC Article 500, Class 1, 11 and 111 conditions
- Green light output for maximum visibility in emergency conditions
- 100 foot visibility rating
- Available in service life ratings of 10, 15 or 20 years
- Tested, approved and listed by Underwriters Laboratories to UL 924
- Limited warranty for the rated life of the product

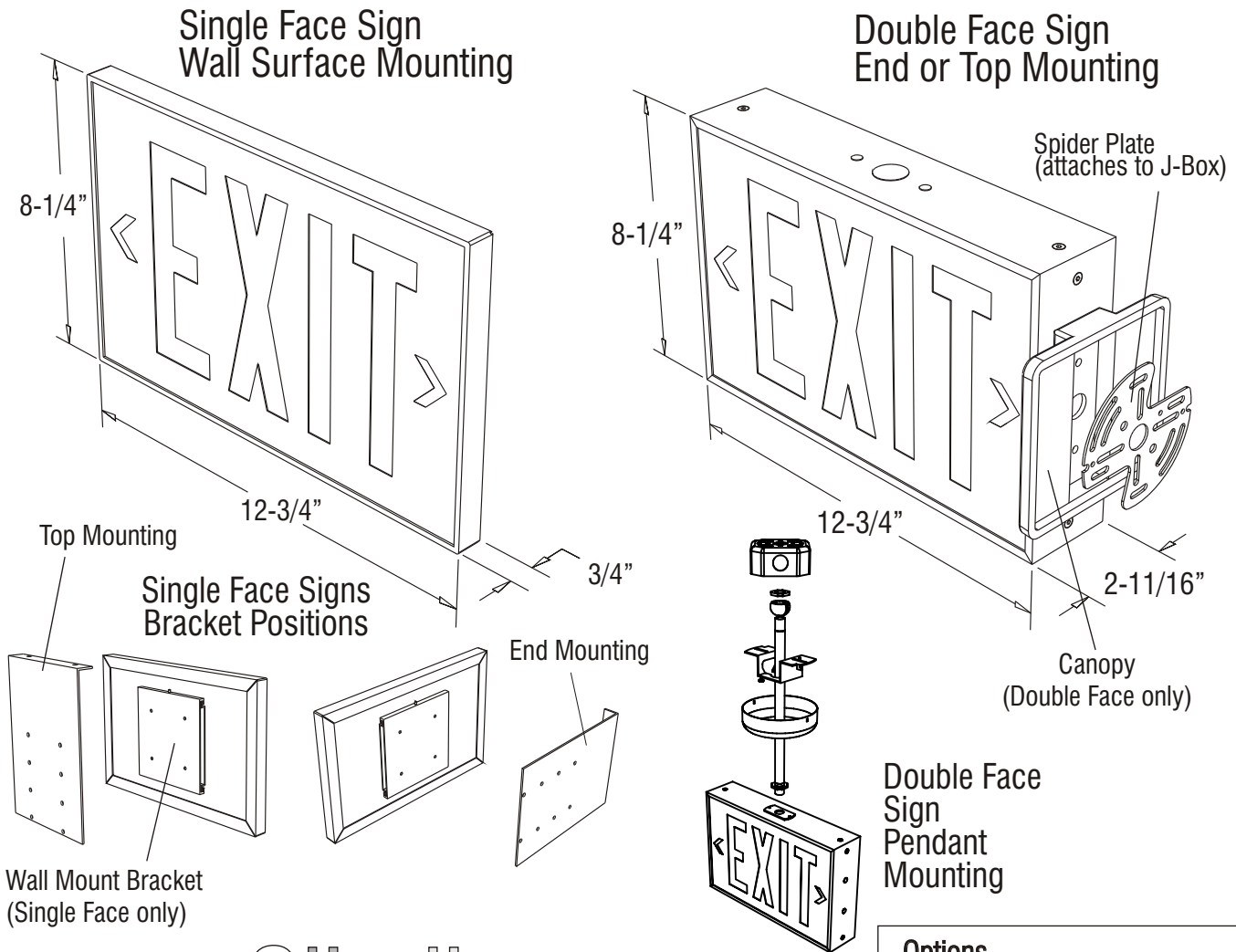
Construction

- Corrosion resistant extruded aluminum .05" minimum wall thickness fold-formed to prevent tampering
- Aluminum stencil face with field selectable chevron directional indicators
- Hidden tamper resistant wall mounting hardware
- Standard finish is anodized aluminum. Also available in satin white or black enamel with custom colors available to order
- Polycarbonate shield seals lamp compartment and prismatic refractor lens
- Special Green Legend Option (GL) provides a green illuminated legend apparent in both dark and ambient lighting conditions. Available in 10 and 15 year rated signs with red, black or white background



Slimline

Self-Luminous Exit Signs SL Series



Slimline Ordering Guide

Model
Slimline Aluminum **SL**

Service Life
10 10 Years
15 15 Years
20 20 Years

Number of Faces
1 Single Face
2 Double Face

SL - 10 - 2 - G - W - PA

Face Color
R Red
G Green
B Black
BZ Bronze
W White
CC Custom Color

Options

- PA 12" Swivel Pendant
- PB 24" Swivel Pendant
- PC 36" Swivel Pendant
- PD 48" Swivel Pendant
- GL Green Letters - Available for 10 or 15 year signs, R, B or W (White) face color
- SLC Polycarbonate Security Cover Single Face units only See Data Sh. 4.6

Frame Color

- BA Brushed Aluminum
- B Black
- BZ Bronze
- W White
- CC Custom Color

*White Face, **only** for use with option GL



3161 State Road
Bensalem, PA 19020
Tel: (800)872 0879
Fax: (215)244 4208
www.evenlite.com 09/07

Fixture Schedule

| | |
|---------------|--------------|
| Project Name: | Approved By: |
| Catalog No: | Type No: |