

Sovereign

LED Exit Signs

Sovereign sets new standards in architectural LED edgelit exit signs. Subtle lines and gentle curves blend to create a classic "floating" edgelit appearance. Sovereign is sure to enhance its surrounding decor and to appease the discerning eye.

Quality construction includes precision die cast aluminum housings with a unique, crystal clear, laser formed thin acrylic legend. The Sovereign has been designed with the latest high efficiency LED light sources to provide vivid pronouncement of the exit legend with exceptional uniformity and luminance levels some 4 times the UL requirement.

Engineered for reliability and ease of installation, the Sovereign is available in many cost effective configurations all with superlative quality, performance and aesthetics.

Features

- Diagnostic Battery Monitoring on all "EM" models
- Maintenance free LED Light source with 25+ years life expectancy
- Contoured crystal clear laser formed edgelit lens
- Refractive light guide engineered to optimize LED utilization and illumination uniformity
- Lens Panel is "Last-to-Assemble" snap-in for versatility and ease of installation
- Full size universal, self-adhesive Chevron arrows with template enable on-site configuration
- Available with a range of information signage or custom graphics to order
- Custom legends with white LED light source available to order
- Full European pictogram range available to order
- Precision pressure die cast aluminum legend holder, trim and surface mount housing
- Quality brushed aluminum sealed finish is standard, optional White, Black, Brass or Chrome finishes available to order, Consult Factory for custom colors
- Hinged retaining springs eliminate exposed mounting hardware on recessed model
- Modular design provides ease of installation and matching configurations
- Low profile recessed housing is suitable for old or new work installations and is Type IC Rated
- Recessed ceiling backbox features universal adjustable mounting brackets with quick-fit retaining clips to suit most ceiling types
- Slimline low profile surface mount housing eliminates need for recessing box in wall mount applications
- Available with Master/Remote combinations
- UL Listed 3 hour emergency duration standard
- Approved for use in New York City calendar #48851

Electronics

- Battery Diagnostic Circuit monitors battery status, detects cell failure and issues alert of reduced capacity and the need to replace battery
- Unique electronic driver circuit provides current control and protection ensuring optimum LED efficiency and life
- Universal 120/277 VAC field selectable input. All versions feature fully integral electronic components
- Premium long life high temperature rated, fused nickel cadmium battery
- Recessed AC Indicator and Test Switch
- Brownout sensing assures emergency illumination during periods of low line voltage
- Self-compensating solid state Constant Current Charger provides extended float life and rapid recharge
- Zero current LVCO ensures positive charge acceptance following extended discharge
- 5 year warranty
- UL 924 Listed by Underwriters Laboratories and meets or exceeds all performance standards as required by NFPA70, NFPA101, EPA Energy Star, NEC and OSHA



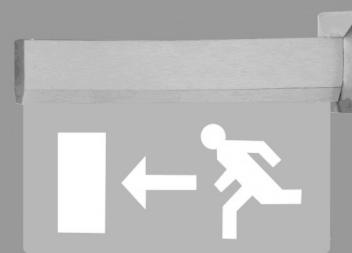
Surface Wall Mount



Recessed Ceiling Mount



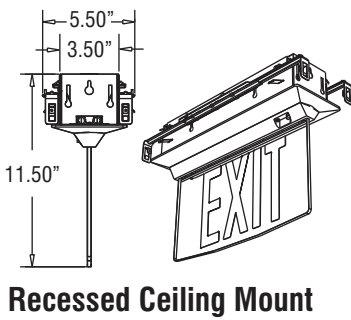
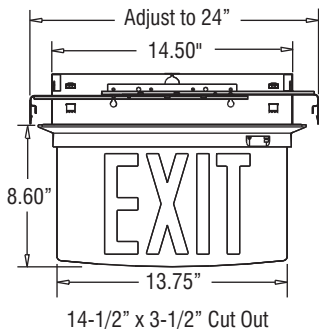
Surface Ceiling Mount



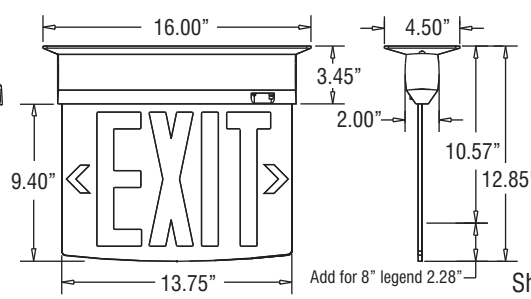
Surface End Mount



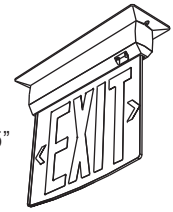
Sovereign LED Exit Signs



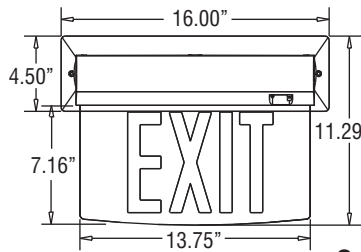
Recessed Ceiling Mount



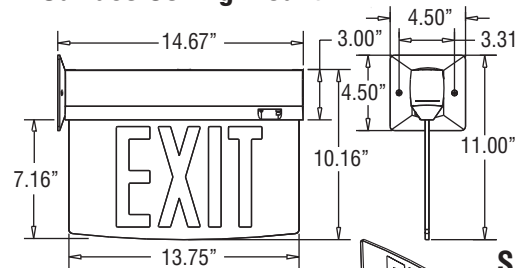
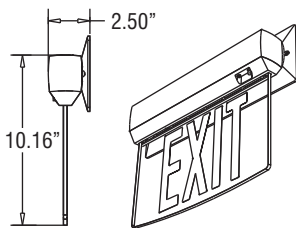
Surface Ceiling Mount



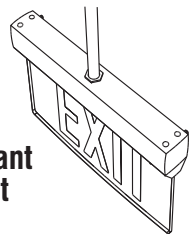
Shown with 8" legend
Available on all models



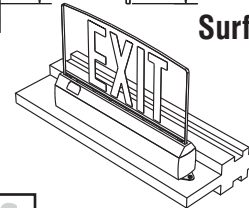
Surface Wall Mount



Surface End Mount



Pendant Mount



Mullion Mount

Sovereign Ordering Guide

SOV **EM** **R** **1C** **BA** **RC** **AR** **OPTIONS**

Operation

AC AC Only 120/277 VAC
EM Battery Backup Emergency

Legend Size/Letter Color

R RED - Standard 6" EXIT
G GREEN - Standard 6" EXIT
NR RED - 8" EXIT
NG GREEN - 8" EXIT

Faces/Background

1C Single Face, Clear Background (standard)
1M Single Face, Mirror Background
2M Double Face, Mirror Background (Mirror simulates clear background for double face exits)
1W Single Face, White Background
2W Double Face, White Background

Power Consumption

Type	Volts	Max Watts	Power Factor
RED AC Only	120 / 277	1.5	.70
RED Battery Backup	120 / 277	2.5	.70
RED Battery Backup with Remote	120 / 277	3.0	.73
GREEN AC Only	120 / 277	2.3	.70
GREEN Battery Backup	120 / 277	3.0	.76
GREEN Battery Backup with Remote	120 / 277	4.0	.81

Mounting

RC Recessed Ceiling
SC Surface Ceiling
SW Surface Wall
SE Surface End
MM Mullion Mount
PA 12" Swivel Pendant Mount
PB 24" Swivel Pendant Mount
PC 36" Swivel Pendant Mount
PD 48" Swivel Pendant Mount

Trim/Housing Color

BA Brushed Aluminum (standard)
WH White Finish
BK Black Finish
BR Brass Finish
CC Custom Color (specify)

Options

LL High/Low Level Master and Remote (available for AC and EM Models- Remote is Die Cast Exit Razor to match master)
IN Inverted Legend - Use with Mullion Mount
DL Damp location listed
F Flash in Emergency Mode (EM Models) or continuous Flash in AC models
FZ F Option including Buzzer
FA Flash in AC and Emergency mode on 12-24V (AC or DC) normally-off fire alarm signal (Available for AC and EM models)
FB FA Option including Buzzer
DK Two Circuit Input -120 or 277 VAC (AC Models only) Input is Field Selected and can be mixed voltage for Primary and Secondary Circuits.
EU Euro Legends (Consult factory for full range)
VA Other Input Supply Voltage (specify Volts and Frequency)
SD Self-Test / Self-Diagnostic
IR Self-Diagnostics with Infra-Red Remote Testing (EM models only)
TLRT Infra-Red Hand Held Transmitter (order separately)

Chevron Direction

UC Field Installed Adhesive Chevron Indicators
AR Arrow Right <EXIT>
AL Arrow Left <EXIT
AA Double Arrow <EXIT>
LR Arrow Left/Arrow Right <EXIT/EXIT> (Double Face units only)
Factory installation of Chevrons is recommended for Double Face Signs



3161 State Road
Bensalem, PA 19020
Tel: (800)872 0879
Fax: (215)244 4208
www.evenlite.com 10/07

Fixture Schedule

Project Name:	Approved By:
Catalog No:	Type No: