

# Sovereign

## Explosion Proof LED Edgelit Exit Sign

Sovereign SXP sets new standards in Hazardous Location Exit signs as the first explosion proof self-contained emergency LED edgelit Exit or Custom Graphic sign. The classic Sovereign curved legend panel blends to create a classic "floating" edgelit appearance. Quality construction includes precision cast aluminum housing with a unique, crystal clear laser formed acrylic light guide. The Sovereign utilizes the latest high efficiency light sources to provide vivid pronouncement of the legend with exceptional uniformity.

### Code Compliance, meets or exceeds requirements for NFPA 101:

Class I, Division 1, Groups C & D  
 Class I, Division 2, Groups A, B, C & D  
 Class II, Division 1, Groups E, F & G  
 Class III, Division 1  
 Class I, Zone 1, Groups IIA, IIB,  
 Class I Zone 2, Groups IIA, IIB + H2 & IIC  
 Marine Outside Type  
 UL 1598A, 844, 924  
 IP65

### Features

- Maintenance free LED light source with 25+ years life expectancy
- Refractive light guide is engineered to optimize LED utilization and illumination uniformity
- High intensity LED array provides exceptional energy efficiency with less than 3 watts power consumption.
- Quality Copper-free cast aluminum housing finished with gray epoxy powder coat
- 1/2" NPT conduit hubs
- Available in Wall, Pendant or End Mount configurations
- Full European pictogram Exit range available to order
- Custom Graphic signs available to order, also available with Phantom illumination (legend not visible in the off mode) or Stencil illumination for always visible legends and graphics
- 3 Year Warranty



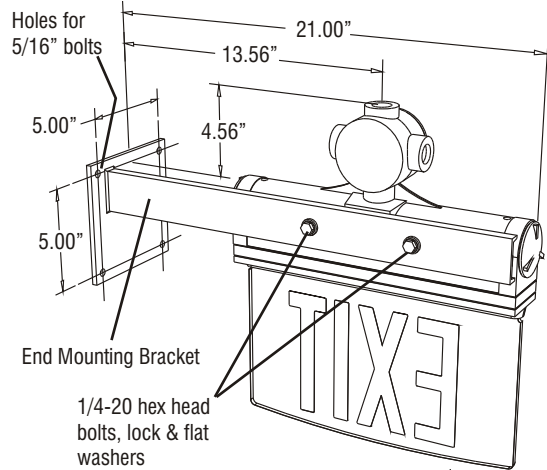
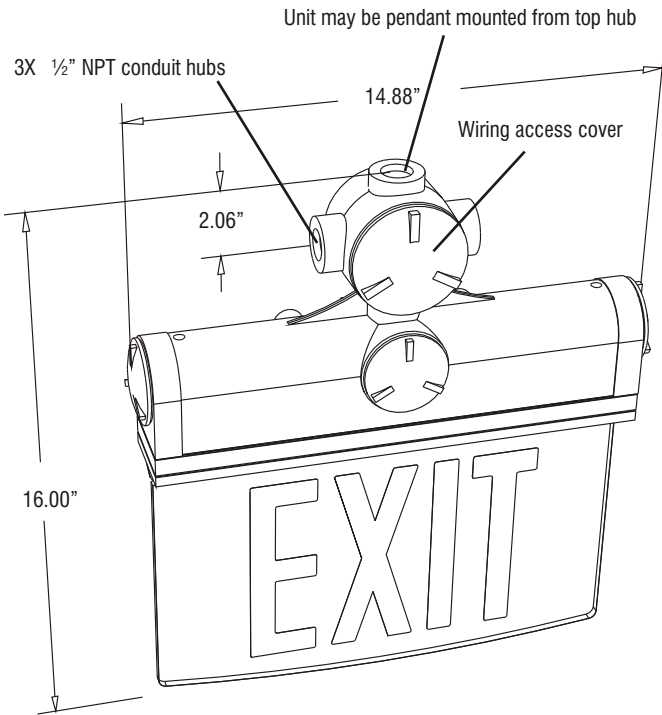
### Electronics

- Electronic control circuit applies full wave, low ripple current to each LED thereby optimizing life and light output. A diagnostic self compensating constant current charger circuit monitors the condition of the battery pack and indicates via a flashing LED when battery needs replacing
- Universal 120 or 277 VAC field selectable input. Other voltages are available to order. All versions feature fully integral electronic components
- Available in AC only operation (AC) or self contained battery back up (EM) models
- Self Test / Self Diagnostic circuit with infra-red remote testing available
- UL listed 3 Hour battery backup runtime with Premium long life high temperature fused nickel cadmium battery pack
- Circuitry includes - Zero current LVCO, Brownout sensing & Line-Latch

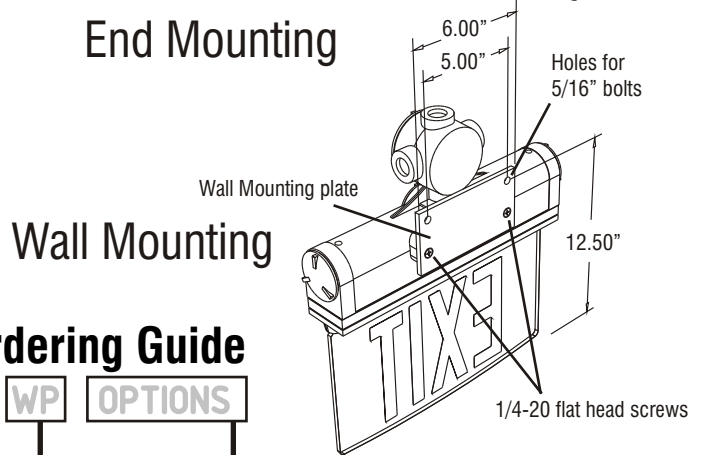


# Sovereign

# Explosion Proof LED Edgelit Exit Sign



## End Mounting



## Wall Mounting

## Sovereign Ordering Guide

**SXP** **EM** **R** **1W** **AR** **WP** **OPTIONS**

### Operation

**AC** AC Only 120/277 VAC  
**EM** Battery Backup Emergency

### Legend Size/Letter Color

**R** RED - Standard 6" EXIT  
**G** GREEN - Standard 6" EXIT  
**C** Custom Graphics (Specify)

### Faces/Background

**1W** Single Face, White Background  
**2W** Double Face, White Background

### Chevron Direction

**UC** Field Installed Adhesive Chevron Indicators  
**AR** Arrow Right <EXIT>  
**AL** Arrow Left <EXIT  
**AA** Double Arrow <EXIT>  
**LR** Arrow Left/Arrow Right <EXIT/EXIT> (Double Face units only)  
 Factory installation of Chevrons is recommended for Double Face Signs

### Mounting

**WP** Wall Mounting  
**EB** End Mount Bracket  
**PM** Pendant Mounting (Conduit supplied by others)

### Options

**F** Flash in Emergency Mode (EM Models) or continuous Flash in AC models  
**EU** Euro Legends (Consult factory for full range)  
**VA** Other Input Supply Voltage (specify Volts and Frequency)  
**SD** Self-Test / Self-Diagnostic  
**IR** Self-Diagnostics with Infra-Red Remote Testing (EM models only)  
**TLRT** Infra-Red Transmitter (order separately)

### Power Consumption

	Type	Volts	Max Watts	Power Factor
<b>RED</b>	AC Only	120 / 277	1.5	.70
<b>RED</b>	Battery Backup	120 / 277	2.5	.70
<b>GREEN</b>	AC Only	120 / 277	2.3	.70
<b>GREEN</b>	Battery Backup	120 / 277	3.0	.76

Project Name:	Approved By:
Catalog No:	Type No: