

RAZOR *Custom Graphics* RCG Series



The RAZOR Custom is the ultimate in low profile, unobtrusive custom graphics signs. Utilizing the Razor Exit sign components with an open face insert a wide variety of custom graphics can be applied. Only 5/8" thin, the Razor die cast aluminum sign utilizes the latest low energy, long life LED light sources.

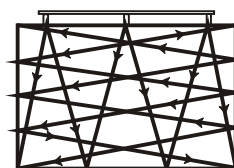
A recent addition to the Razor custom is the 'Phantom' legend illumination wherein the legend is virtually invisible when the fixture is off, Illuminating only when AC is present. This method is ideal for warning signs where it is apparent the sign is "On" or "Off". The legend colors can be Red, Green or Blue, while the background is always White. For continuously illuminated signs the standard stencil version is recommended.

Features

- Razor thin Die Cast Aluminum LED open face sign with recessed power supply
- Available with Phantom illumination (legend not visible in the off mode) or Stencil illumination for always visible legends and graphics
- Maintenance free LED light source with 25+ years life expectancy
- High intensity LED array provides exceptional energy efficiency with just 1.5 watt power consumption for both single and double face AC models. Battery backup models consume just 2.5 watts, .7 power factor
- Patented edge lit illumination provides vivid and uniform legend illumination
- **Self-Diagnostic** Battery monitoring on all 'EM' models
- 4 Hour battery backup runtime with Premium long life high temperature fused nickel cadmium battery pack
- 120 or 277 VAC field selectable input
- Electronic control circuit applies **full wave**, low ripple current to each LED thereby optimizing life and light output. A diagnostic self-compensating constant current charger circuit monitors the condition of the battery pack and indicates via a flashing LED when battery needs replacing
- Circuitry includes - Zero current LVCO, Brownout sensing & Line-Latch

Construction

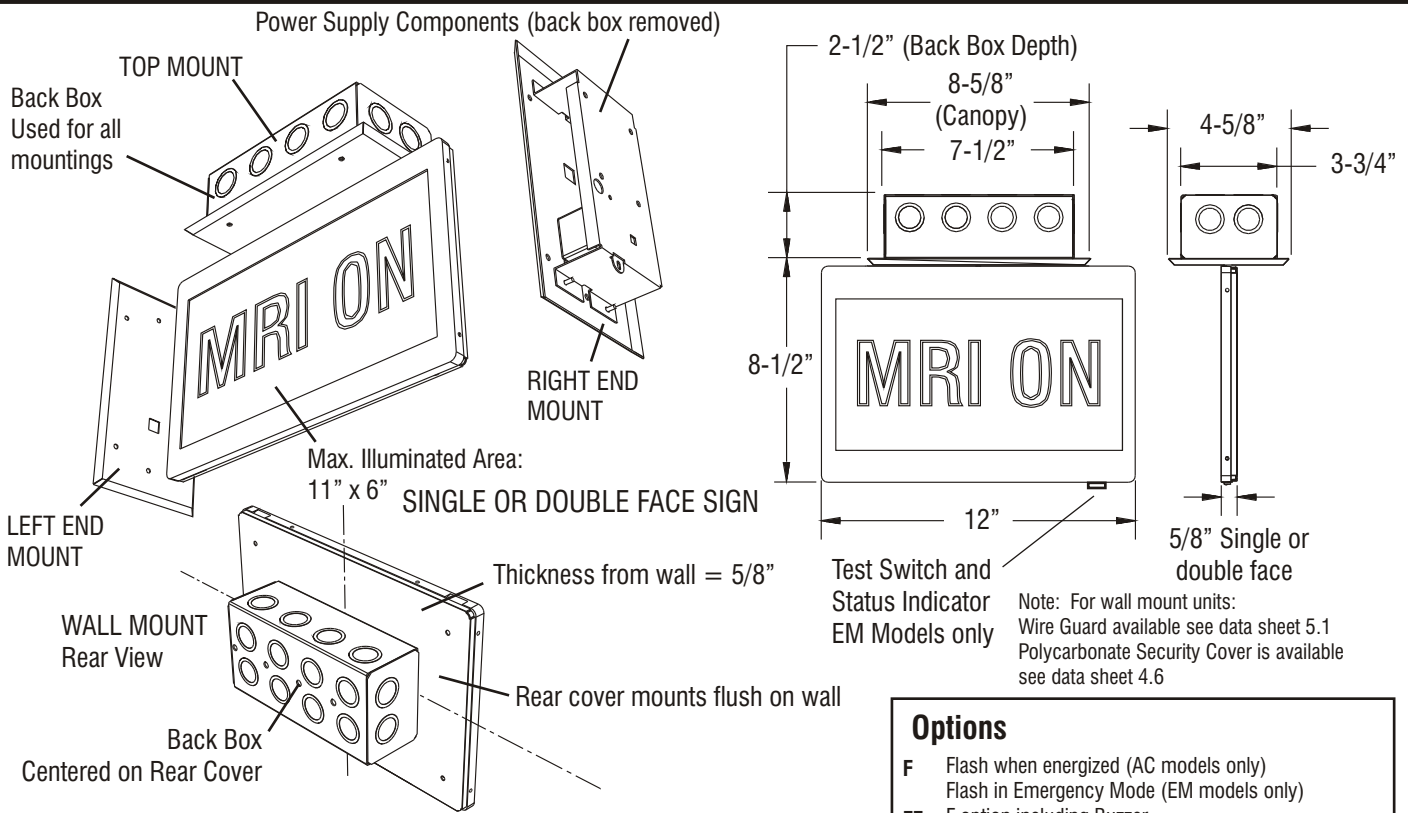
- Thick wall construction from heavy duty die cast aluminum alloy the assembly mounts to a standard 4 gang electrical back box provided
- Fine grain brushed aluminum face trim is standard. Other finishes are available
- Solid 1/4" thick internal acrylic light guide
- Concealed tamper resistant face access hardware
- Low profile canopy for end or top mount applications
- Polycarbonate security cover and wire guards available for wall mount installations
- Optional polycarbonate face shield with tamper proof screws is ideal for vandal resistant applications
- Pendant suspension mounting & specialty mounts available
- 5 Year Warranty



EDGE LIGHTING
PROVIDES UNIFORMITY
AND LOW PROFILE

EDGE LIT PATENT TECHNOLOGY
U.S. Patent 5, 276, 591

Razor Custom Graphics RCG Series



Note: For wall mount units:
Wire Guard available see data sheet 5.1
Polycarbonate Security Cover is available
see data sheet 4.6

Options

- F** Flash when energized (AC models only)
Flash in Emergency Mode (EM models only)
- FZ** F option including Buzzer
- FA** Fire Alarm Interface from 12 - 24 Volt (AC or DC)
Normally Off Fire Alarm Signal (EM models only)
- FB** FA option including Buzzer
- DK** Two Circuit Input, 120 or 277 V (AC models only)
- LL** High/Low Level Master/Remote (AC and EM models -
Remote is Single Face Wall Mount only)
- DL** Damp Location
- SD** Self-Test/Self-Diagnostic
- SLC** Polycarbonate Security Cover

Razor Custom Graphics Ordering Guide

RCG - EM - 1 - AB - IL - RD - BK - W - F

AC AC Only 120/277 VAC
EM Battery Backup
Operation

1 Single Face
2 Double Face
No. of Faces

AB Brushed Face, Black Trim
BB All Black
WW All White
AA All Brushed Aluminum
AW Brushed Face, White Trim
CC Custom Color
Face and Trim Color

IL Illuminated Legend Stencil
Face - Opaque Background
PI Phantom Illumination
Legend appears visible when on
Illumination Method

Mounting

- W** Wall Mount, No Canopy
- T** Canopy Top Mounted
- LE** Canopy Left End Mounted
- RE** Canopy Right End Mounted
- PA** 12" Swivel Pendant Mount
- PB** 24" Swivel Pendant Mount
- PC** 36" Swivel Pendant Mount
- PD** 48" Swivel Pendant Mount

Background Color

- W** White
- BK** (Illuminated Stencil only) Black
- C** (Illuminated Stencil only) Custom (specify)

Illuminated Letter Color

- RD** Red
- GN** Green
- BL** Blue
- W** (Specialty illuminated signs only) White



3161 State Road
Bensalem, PA 19020
Tel: (800)872 0879
Fax: (215)244 4208
www.evenlite.com 09/07

Fixture Schedule	Project Name:	Approved By:
	Catalog No:	Type No: