

Razor RZR Series Thin Profile LED Exit Signs



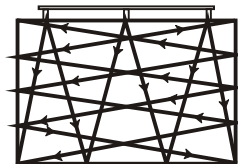
The Razor is a unique, ultra thin 5/8" die cast aluminum LED exit sign. The slim profile blends with the architecture providing a subtle modern sign without compromise to performance and versatility. Ideal for any application where an inconspicuous, quality fixture is preferred. The Razor's solid construction and low profile also make it the ideal choice for low level installations.

Features

- Razor thin Die Cast Aluminum LED Exit sign with recessed power supply
- Maintenance free LED light source with 25+ years life expectancy
- High intensity LED array provides exceptional energy efficiency with just 1.5 watt power consumption for both single and double face AC models. Battery backup models consume just 2.5 watts, .7 power factor
- Patented edge lit illumination provides vivid and uniform legend illumination approx. 4 times the minimum UL 924 requirement
- **Self-Diagnostic** Battery monitoring on all 'EM' models
- 4 Hour battery backup runtime with Premium long life high temperature fused nickel cadmium battery pack
- 120 or 277 VAC field selectable input
- Electronic control circuit applies **full wave**, low ripple current to each LED thereby optimizing life and light output. A diagnostic self-compensating constant current charger circuit monitors the condition of the battery pack and indicates via a flashing LED when battery needs replacing
- Circuitry includes - Zero current LVCO, Brownout sensing & Line-Latch
- Also available with an additional remote powered sign
See data sheet 25.3

Construction

- Thick wall construction from heavy duty die cast aluminum alloy assembly mounts to a standard 4 gang electrical back box (supplied)
- Fine grain brushed aluminum stencil face standard. Other finishes available
- Solid 1/4" thick internal acrylic light guide
- Removable face with field selectable Chevron directional indicators
- Concealed tamper resistant face access hardware
- Low profile canopy for end or top mount applications
- Polycarbonate security cover and wire guards available
- Optional polycarbonate face shield with tamper proof screws is ideal for vandal resistant applications
- Pendant suspension mounting & specialty mounts available
- ETL listed to UL 924
- 5 Year Warranty

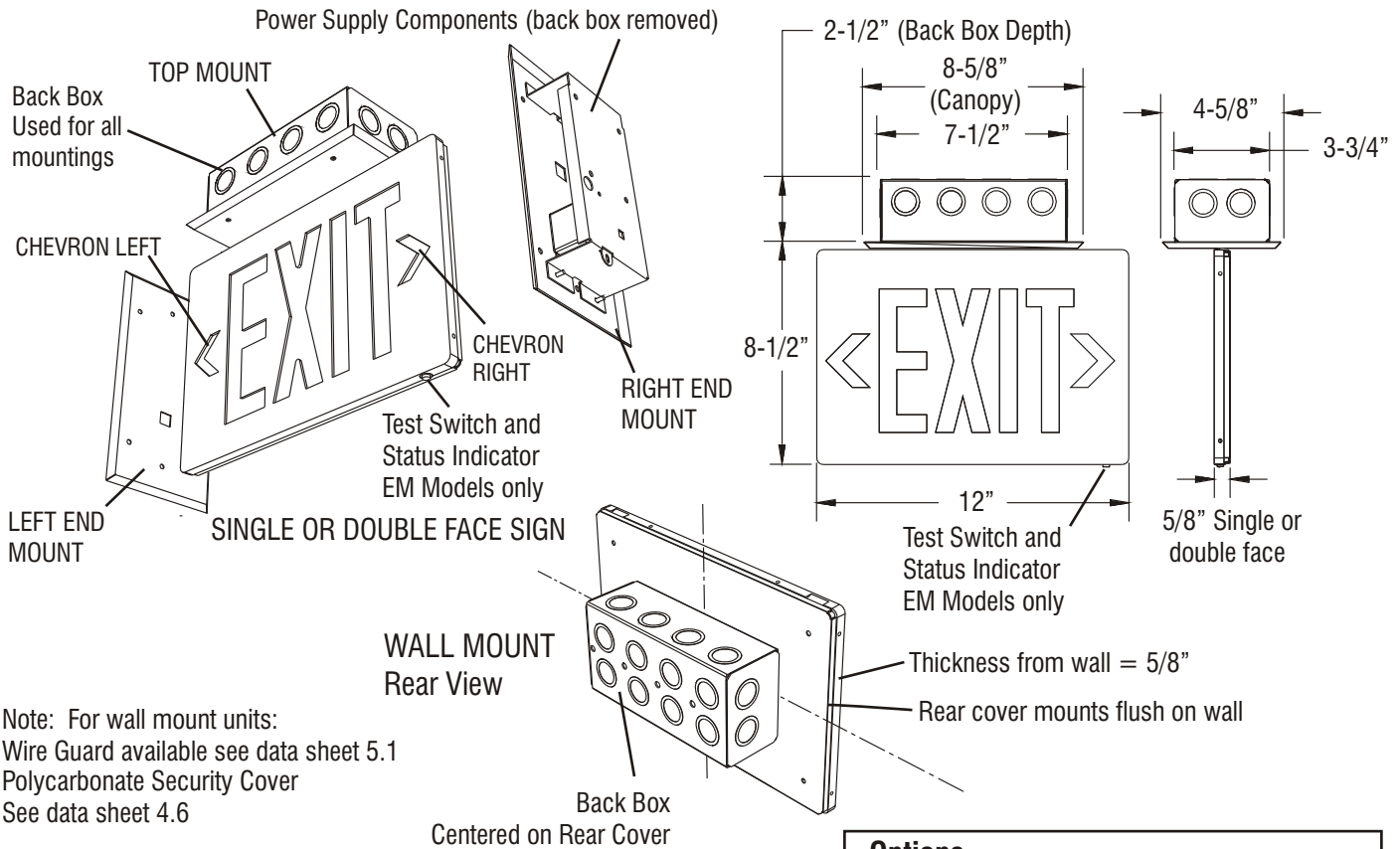


EDGE LIGHTING
PROVIDES UNIFORMITY
AND LOW PROFILE

EDGE LIT PATENT TECHNOLOGY
U.S. Patent 5, 276, 591



Razor RZR Series Thin Profile LED Exit Signs



Note: For wall mount units:
 Wire Guard available see data sheet 5.1
 Polycarbonate Security Cover
 See data sheet 4.6

Razor Ordering Guide

RZR - EM - R - 1 - AB - W - F

AC AC Only 120/277 VAC
EM Battery Backup
Operation

R Red
G Green
W White LED
 (Custom Signs)
Letter Color

1 Single
2 Double
No. of Faces

AB Brushed Face, Black Trim
BB All Black
WW All White
AA All Brushed Aluminum
AW Brushed Face, White Trim
CC Custom Color
Body Color

Options

- F** Flash in Emergency Mode (EM models) or continuous Flash in AC models
- FZ** F option including Buzzer
- FA** Flash in AC and Emergency mode on 12-24V (AC or DC) normally off fire alarm signal. (Available for AC and EM models)
- FB** FA option including Buzzer
- DK** Two Circuit Input, 120 or 277 V (AC models)
- DL** Damp Location
- PC1** 1/8" Polycarbonate Shield
- SLC** Polycarbonate Security Cover See Data Sheet 4.6
- SD** Self-Test / Self-Diagnostic
- M990010** Wire Guard
- IR** Self-Diagnostics with Infra-Red Remote Testing (EM models only)
- TLRT** Infra-Red Transmitter (order separately)

W Wall Mount, No Canopy
T Canopy Top Mounted
LE Canopy Left End Mounted
RE Canopy Right End Mounted
PA 12" Swivel Pendant Mount
PB 24" Swivel Pendant Mount
PC 36" Swivel Pendant Mount
PD 48" Swivel Pendant Mount
Mounting



3161 State Road
 Bensalem, PA 19020
 Tel: (800)872 0879
 Fax: (215)244 4208
 www.evenlite.com 10/07

Fixture Schedule	Project Name:	Approved By:
	Catalog No:	Type No: