

Sovereign Custom Graphics

Sovereign sets new standards in architectural LED custom graphic signs. Subtle lines and gentle curves blend to create a classic “floating” edgelit appearance. Sovereign is sure to enhance its surrounding decor and to appease the discerning eye while conveying your chosen graphic.

Quality construction includes precision die cast aluminum housing with a unique, crystal clear laser formed acrylic light guide. The Sovereign utilizes the latest high efficiency light sources to provide vivid pronouncement of the legend with exceptional uniformity and is available in four mounting configurations to meet your application needs.

A recent addition to the Sovereign custom is the ‘Phantom’ legend illumination wherein the legend is virtually invisible when the fixture is off, illuminating only when AC power is present. This method is ideal for warning signs where it is apparent the sign is “On” or “Off”. The legend colors can be Red, Green or Blue, while the background is always White. For continuously illuminated signs the standard stencil legend version is recommended.

Features

- Maintenance free LED light source with 25+ years life expectancy
- Available with Phantom illumination (legend not visible in the off mode) or Stencil illumination for always visible legends and graphics
- White LED light source available for multicolor graphics
- Full European pictogram Exit range available to order
- Two sizes of lens panels available (standard is the 7" high panel)
- Refractive light guide is engineered to optimize LED utilization and illumination uniformity
- Light guide is “Last to Assemble” snap in for versatility and ease of installation
- High intensity LED array provides exceptional energy efficiency with less than 3 watts power consumption.
- Quality brushed aluminum sealed finish is standard, optional White, Black, or Brass finishes available to order
- Modular design provides ease of installation and matching configurations
- Low profile ceiling recessed housing is suitable for old or new work installations and is Type IC rated. Housing is provided with universal adjustable mounting brackets with quick fit retaining clips to suit most ceiling types.
- Slimline low profile surface mount housing eliminates need for recessing back box in wall mounting applications
- Pendant suspension mounting & specialty mounts available
- 5 Year Warranty

Electronics

- Electronic control circuit applies **full wave**, low ripple current to each LED thereby optimizing life and light output. A diagnostic self-compensating constant current charger circuit monitors the condition of the battery pack and indicates via a flashing LED when battery needs replacing
- Universal 120 or 277 VAC field selectable input. Other voltages are available to order. All versions feature fully integral electronic components
- Available in AC only operation (AC) or self contained battery back up (EM) models
- **Self-Diagnostic** Battery monitoring on all ‘EM’ models
- 3 Hour battery backup runtime with Premium long life high temperature fused nickel cadmium battery pack
- Circuitry includes - Zero current LVCO, Brownout sensing & Line-Latch



Surface Wall Mount
With NEW
Phantom Legend



Recessed Ceiling Mount

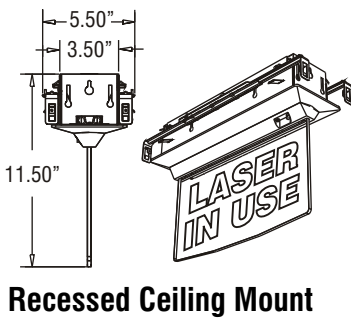
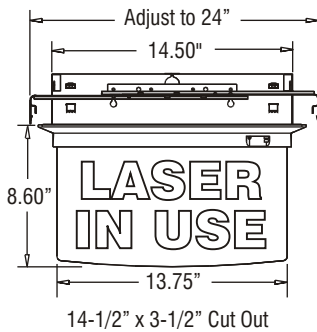


Surface Ceiling Mount

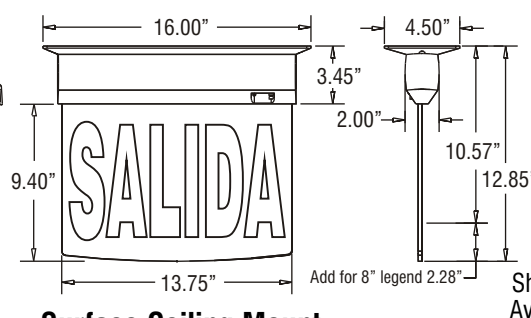


Surface End Mount

Sovereign Custom Graphics



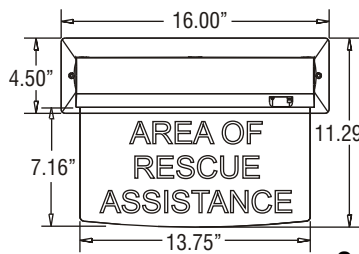
Recessed Ceiling Mount



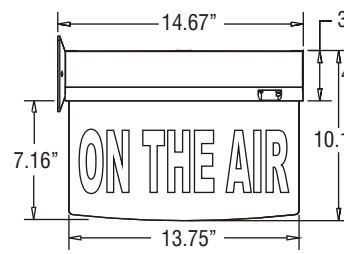
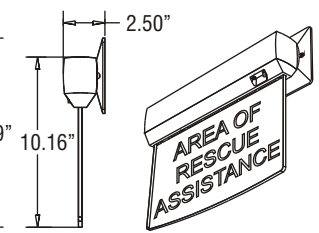
Surface Ceiling Mount



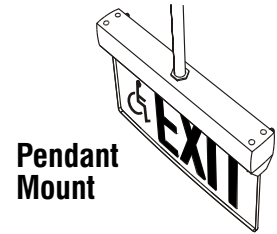
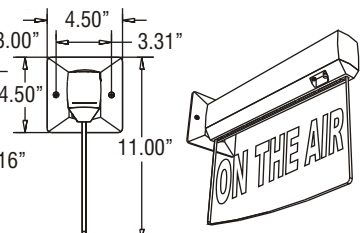
Shown with 8" legend
Available on all models



Surface Wall Mount



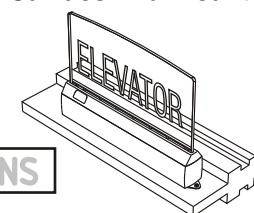
Surface End Mount



Pendant Mount

Sovereign Ordering Guide

SOV **EM** **6** **R** **1C** **IL** **BA** **RC** **OPTIONS**



Mullion Mount

Operation

AC	AC Only 120/277 VAC
EM	Battery Backup Emergency

Panel Size

6	7" Overall Height
8	9" Overall Height

Letter Color

R	Red
G	Green
B	Blue
W	Other Colors

No. Of Faces/Background

1C	Single Face, Clear Background (standard)
1M	Single Face, Mirror Background
2M	Double Face, Mirror Background (Mirror simulates clear background for double face exits)
1W	Single Face, White Background
2W	Double Face, White Background

Illumination Method

IL	Illuminated Legend Stencil
PI	Phantom Illumination Legend appears visible only when on

Mounting

RC	Recessed Ceiling
SC	Surface Ceiling
SW	Surface Wall
SE	Surface End
MM	Mullion Mount
PA	12" Swivel Pendant Mount
PB	24" Swivel Pendant Mount
PC	36" Swivel Pendant Mount
PD	48" Swivel Pendant Mount

Trim/Housing Color

BA	Brushed Aluminum (standard)
WH	White Finish
BK	Black Finish
BR	Brass Finish
CC	Custom Color (specify)

Options

IN	Inverted Legend - Use with Mullion Mount
DL	Damp location listed
F	Flash in Emergency Mode (EM Models) or continuous Flash in AC models
FZ	F Option including Buzzer
FA	Flash in AC and Emergency mode on 12-24V (AC or DC) normally-off fire alarm signal (Available for AC and EM models)
FB	FA Option including Buzzer
DK	Two Circuit Input -120 or 277 VAC (AC Models only) Input is Field Selected and can be mixed voltage for Primary and Secondary Circuits.
EU	Euro Legends (Consult factory for full range)
VA	Other Input Supply Voltage (specify Volts and Frequency)
SD	Self-Test / Self-Diagnostic
IR	Self-Diagnostics with Infra-Red Remote Testing (EM models only)
TLRT	Infra-Red Hand Held Transmitter (order separately)

Power Consumption

Type	Volts	Max Watts	Power Factor
RED	AC Only 120 / 277	1.5	.70
RED	Battery Backup 120 / 277	2.5	.70
RED	Battery Backup with Remote 120 / 277	3.0	.73
GREEN	AC Only 120 / 277	2.3	.70
GREEN	Battery Backup 120 / 277	3.0	.76
GREEN	Battery Backup with Remote 120 / 277	4.0	.81



3161 State Road
Bensalem, PA 19020
Tel: (800)872 0879
Fax: (215)244 4208
www.evenlite.com 10/07

Fixture Schedule	Project Name:	Approved By:
	Catalog No:	Type No: