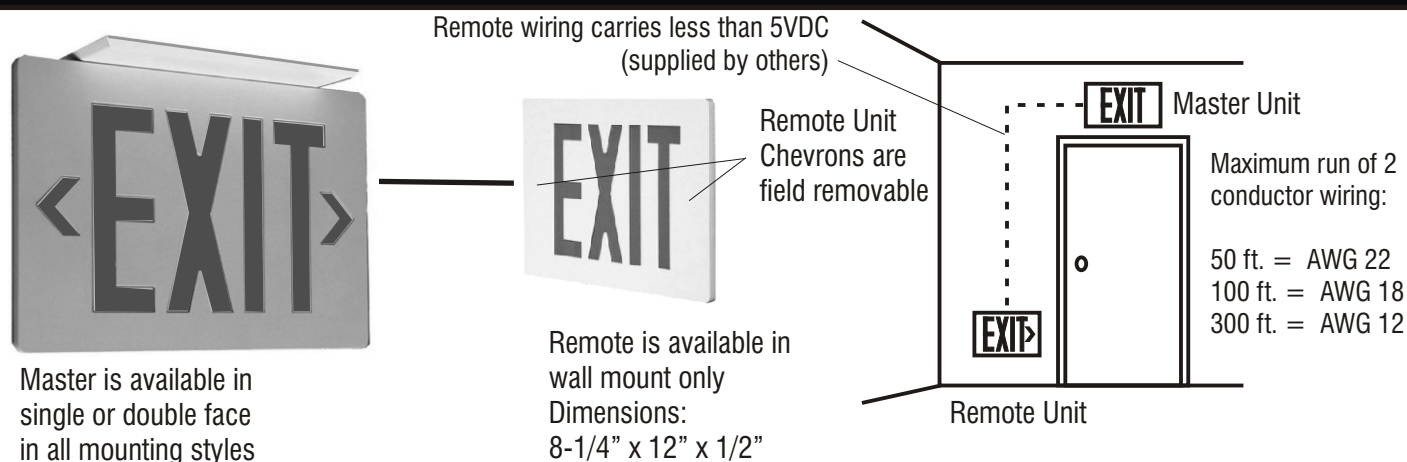


Razor RZMR Series Master-Remote LED Exit Signs



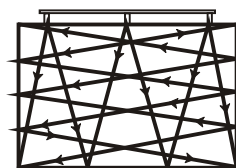
The RZMR series provides the unique, ultra thin 5/8" Razor die cast aluminum LED exit sign in both a master and remote combination. Ideal for any application where an inconspicuous, quality fixture is preferred. The Razor's solid construction and low profile make it the ideal choice for combination high and low level installations.

Features

- Master - Remote operation with low voltage interconnect (Supplied by others)
- Razor Master power supply mounted in recessed 4 gang back box and can be single or double face and wall, canopy or pendant mounted. The Razor remote is surface mounted.
- Maintenance free LED light source with 25+ years life expectancy
- High intensity LED array provides exceptional energy efficiency with just 1.5 watt power consumption for both single and double face AC models. Battery backup models consume just 2.5 watts, .7 power factor
- Patented edge lit illumination provides vivid and uniform legend illumination approx. 4 times the minimum UL 924 requirement
- **Self-Diagnostic** Battery monitoring on all 'EM' models
- 2 Hour battery backup runtime with Premium long life high temperature fused nickel cadmium battery pack
- 120 or 277 VAC field selectable input
- Electronic control circuit applies **full wave**, low ripple current to each LED thereby optimizing life and light output. A diagnostic self-compensating constant current charger circuit monitors the condition of the battery pack and indicates via a flashing LED when battery needs replacing
- Circuitry includes - Zero current LVCO, Brownout sensing & Line-Latch

Construction

- Thick wall construction from heavy duty die cast aluminum alloy the Master assembly mounts to a standard 4 gang electrical back box while the remote is surface mounted
- Fine grain brushed aluminum stencil face standard. Other finishes available
- Solid 1/4" thick internal acrylic light guide
- Removable face with field selectable Chevron directional indicators
- Concealed tamper resistant face access hardware
- Low profile canopy for Master end or top mount applications
- Polycarbonate security cover and wire guards available for wall mount installations
- Optional polycarbonate face shield with tamper proof screws is ideal for vandal resistant applications
- Pendant suspension mounting & specialty mounts available for the Master unit
- ETL listed to UL 924
- 5 Year Warranty

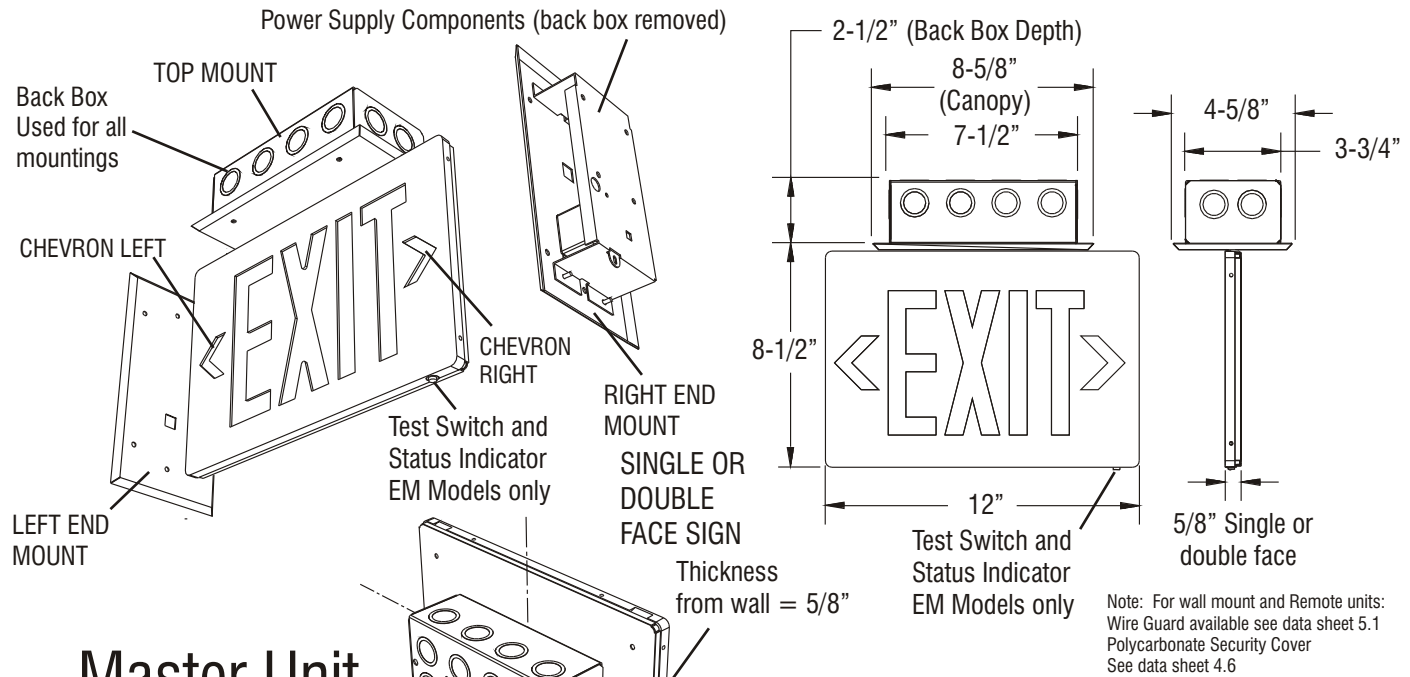


EDGE LIGHTING PROVIDES UNIFORMITY AND LOW PROFILE

EDGE LIT PATENT TECHNOLOGY
U.S. Patent 5, 276, 591



Razor RZMR Series Master-Remote LED Exit Signs



Note: For wall mount and Remote units:
Wire Guard available see data sheet 5.1
Polycarbonate Security Cover
See data sheet 4.6

Master Unit

WALL MOUNT
Rear View

Back Box
Centered on Rear Cover

Rear cover
mounts flush
on wall

Razor Ordering Guide



AC AC Only 120/277 VAC
EM Battery Backup
Operation

R Red
G Green
Letter Color

1 Single
2 Double
No. of Faces Master Only

AB Brushed Face, Black Trim
BB All Black
WW All White
AA All Brushed Aluminum
AW Brushed Face, White Trim
CC Custom Color (specify)
Face and Trim Color Master and Remote

Options

- F** Flash in Emergency Mode (EM models) or continuous Flash in AC models
- FZ** F option including Buzzer
- FA** Flash in AC and Emergency mode on 12-24V (AC or DC) normally off fire alarm signal. (Available for AC and EM models)
- FB** FA option including Buzzer
- DK** Two Circuit Input, 120 or 277 V (AC models)
- DL** Damp Location
- PC1** 1/8" Polycarbonate Shield
- SW** Special Wordings/Custom Graphic Open Face Unit Specify custom wording or provide graphic, some available from standard stock others may be subject to set up/special run charges (Consult Factory)
- SLC** Polycarbonate Security Cover See Data Sheet 4.6
- SD** Self-Test / Self-Diagnostic
- M990010** Wire Guard
- IR** Self-Diagnostics with Infra-Red Remote Testing (EM models only)
- TLRT** Infra-Red Transmitter (order separately)

- W** Wall Mount, No Canopy
 - T** Canopy Top Mounted
 - LE** Canopy Left End Mounted
 - RE** Canopy Right End Mounted
 - PA** 12" Swivel Pendant Mount
 - PB** 24" Swivel Pendant Mount
 - PC** 36" Swivel Pendant Mount
 - PD** 48" Swivel Pendant Mount
- Mounting, Master**



3161 State Road
Bensalem, PA 19020
Tel: (800)872 0879
Fax: (215)244 4208
www.evenlite.com 10/07

Fixture Schedule	Project Name:	Approved By:
	Catalog No:	Type No: