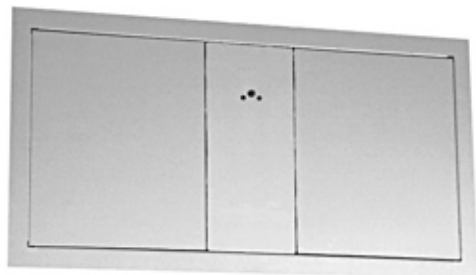


Mirrorlite

MIR-SD Mirrorlite Recessed Emergency Light

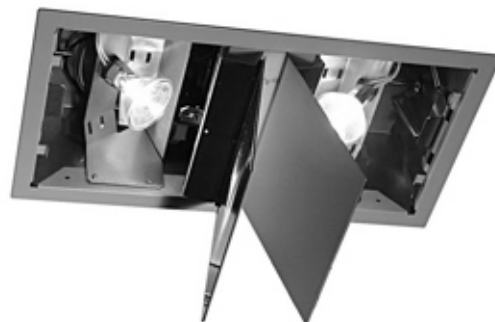
OUT OF SIGHT UNTIL YOU NEED IT, THAT'S THE MAGIC OF MIRRORLITE.



Unit blends with wall or ceiling

Front Panel Diagnostic Display

- Hi Charge - Red
- Float / Full Charge - Green
- Diagnostic Functions
- ⊗² Battery Failure - Red Flash
- ⊗⁵ Lamp Failure - Red Flash
- ⊗¹ Transfer Failure - Red Flash
- ⊗³ Charger Failure - Red Flash
- ⊗⁴ Door Failure - Red Flash
- ☾ Insufficient Charge - Red/Grn
- ⊗ In Test - Green Flash



Emergency Mode

The original Evenlite Mirrorlite has been dramatically enhanced, with performance and features that outshine all others. Mirrorlite SD is a unique recessed emergency light that hides away during normal lighting conditions. Upon the loss of AC power the Mirrorlite doors open and project high powered MR16 Halogen light illuminating your exit path. Upon restoration of the AC power the Mirrorlite doors quietly close to the concealed position.

Mirrorlite is ideal for all internal applications where a quality architectural appearance is preferred.

The new Mirrorlite MIR-SD features

- New optics optimize light pattern to improve uniformity and spacing
- Interactive Applications Guide and Point by Point Lighting Data, available on web site, prove performance in compliance with NFPA 101 and aid in lighting design
- Four selectable lamp positions for each lamp takes the guess work out of lamp aiming and assures optimum light distribution
- Doors are factory set for optimum performance but can be individually field adjusted to suit any application
- Finished in durable light textured off-white powder coat which can be wall papered or field painted. Custom finishes available to order
- Computerized electronic circuitry with self-test and self-diagnostics included as standard in all units
- Continuous cam, precision motor drive. No gears, cog's, limit switches or sensitive solenoid settings to jam or seize
- Automatic, discreet monthly self-testing. Self-diagnostics monitors lamp load, transfer circuit, battery capacity, door operation and motor drive
- MR16 long life halogen lamps available up to 75 watts each
- Soft-start lamp circuit ensuring extended lamp life
- Spring latch lamp holders
- Soft-close doors prevent early lamp failure due to door slamming
- Optional infra-red remote transmitter with selectable 30 second or 90 minute duration tests
- Solid state microprocessor controlled circuitry includes line latch, brown out and battery LVCO
- Choice of lead calcium or nickel cadmium batteries in unit capacities up to 150 watts
- Extended run times or remote capacity available
- Suitable for mounting heights up to 50', dependent upon lamp wattage selected
- Fully automatic operation suitable for wall or ceiling mount installation
- Compact, one-size recessed housing is provided with fully adjustable mounting hardware to suit virtually all mounting applications
- Self-adjusting frame trim and door assembly with no external mounting hardware
- Modular assembly and quick connector wiring provides for fast installation and ease of maintenance
- Field selectable 120 or 277 VAC 60 Hz input. Consult factory for other input voltages
- 3 year limited warranty
- Approved for use in New York City Calendar # 48849
- Tested, approved and listed by Underwriters Laboratories Inc. To UL 924



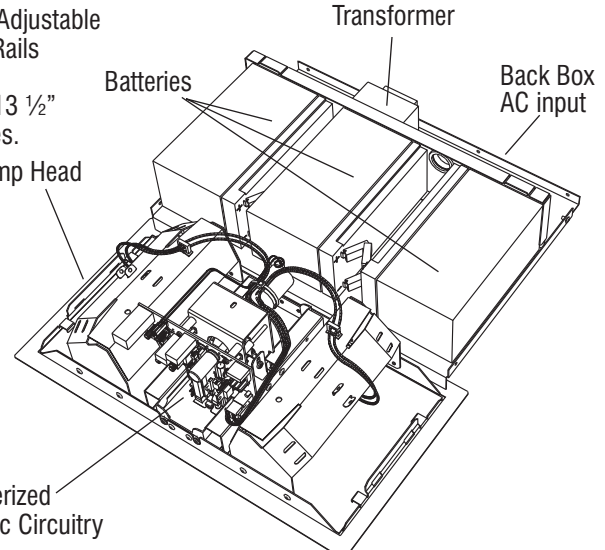
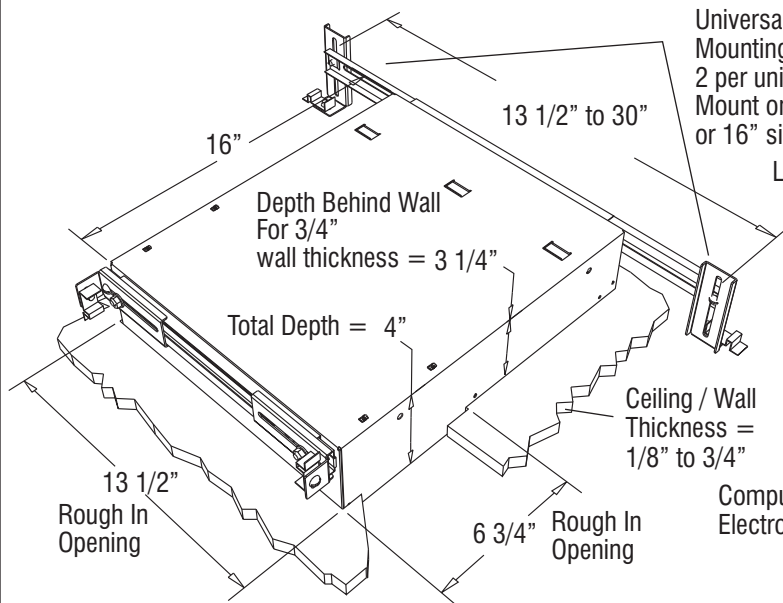
LISTED

EXI **EVENLITE INC**
EMERGENCY LIGHTING SYSTEMS



MIR-SD

Mirrorlite Recessed Emergency Light



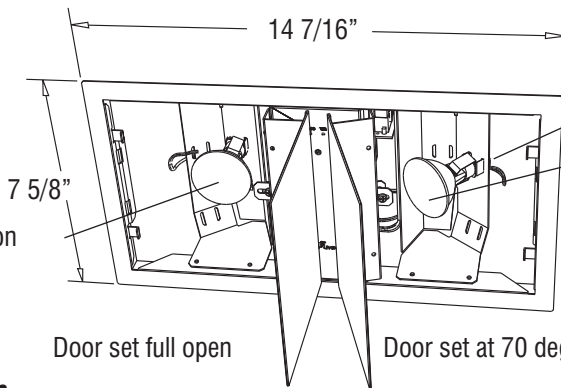
Internal Components with Back Box Rear Cover Removed

Lampholders can be field located in four fixed positions without tools to provide maximum coverage options. Lamps stay aligned in the correct orientation after bulb replacement.

Lamp set for long throw projection

Doors are independently adjustable from 65 degrees of opening to full open for accurate positioning of lamp beams.

Back Box and Mounting Dimensions



Mounted Dimensions (doors open)

Lamp set for straight projection

See Interactive Applications Guide at www.evenlite.com and Applications Data Sheet 38.0

Mirrorlite Ordering Guide



Model

MIR-SD Mirrorlite Self-Test/ Self-Diag. Emergency Light

Lamp Watts (Unit Capacity)

12	24 Watts
20	40 Watts
35	70 Watts
50	100 Watts
75	150 Watts

Battery Type

LC Sealed Lead Calcium
NC Nickel Cadmium

Options

- RI** Remote Diagnostic Indicator Display
- RT** Infra-Red Remote Testing Transmitter (order separately)
- RM** Fused Remote Output Leads (See RM Data Sheet)
- TD** 15 min Time Delay
- C** Custom finish (specify)
- CP** Chicago Plenum Listed
- S** Surface Mounted

Mounting Is Universal Wall or Ceiling

- UI** Back Box & Fixture Shipped Complete
- UP** Back Box Pre-shipped

Unit Capacities (total Load Watts)

24	40	70	100	150
----	----	----	-----	-----

Standard Run Time

3H (180 min.)
2H (120 min)
2H (120 min)
90 (90 min)
90 (90 min)

Optional Run Time

4H (240 min)
4H (240 min)
3H (180 min)
2H (120 min)
N/A



3161 State Road
 Bensalem, PA 19020
 Tel: (800)872 0879
 Fax: (215)244 4208
www.evenlite.com 10/07

Fixture Schedule

Project Name:	Approved By:
Catalog No:	Type No: