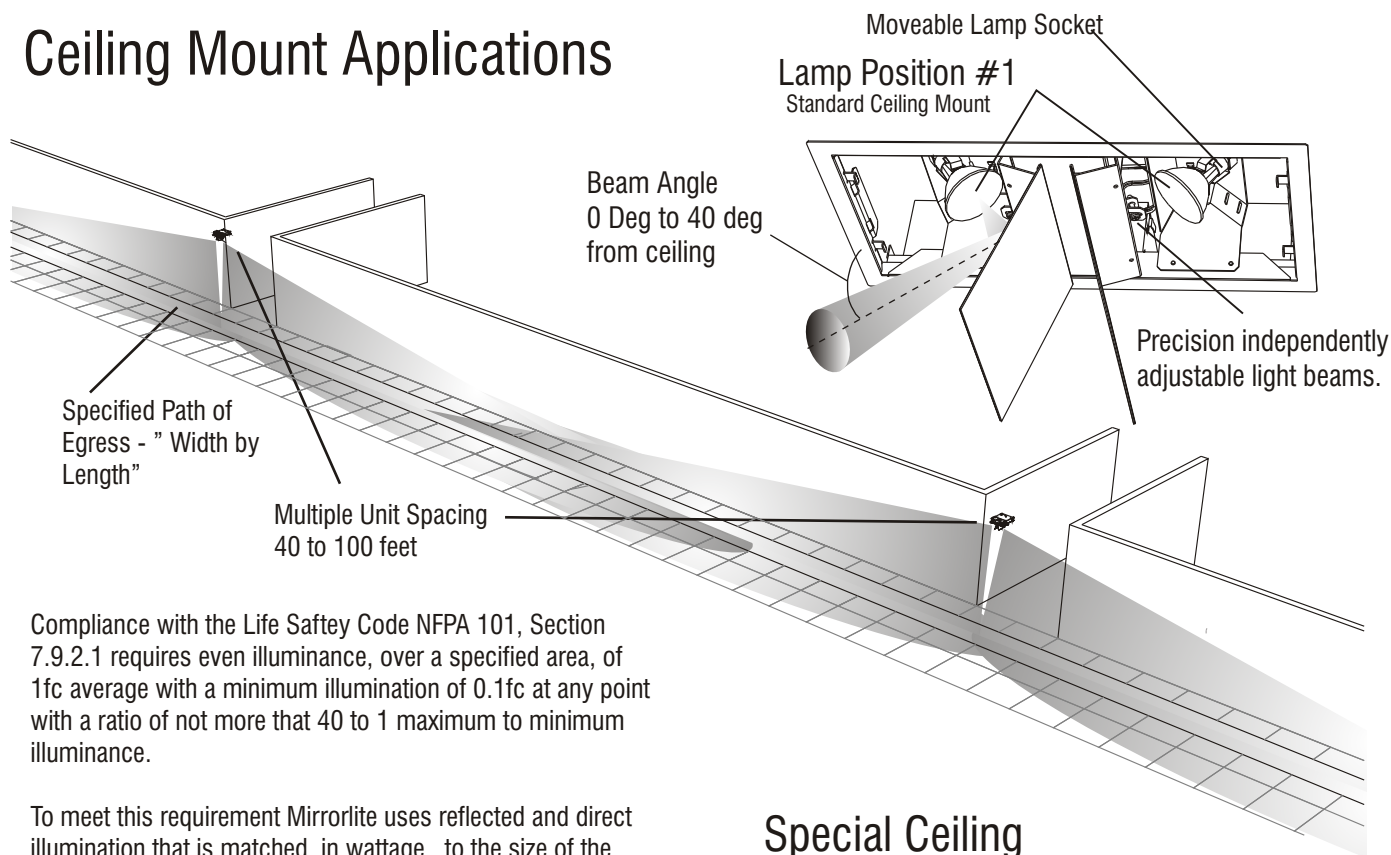


### Ceiling Mount Applications



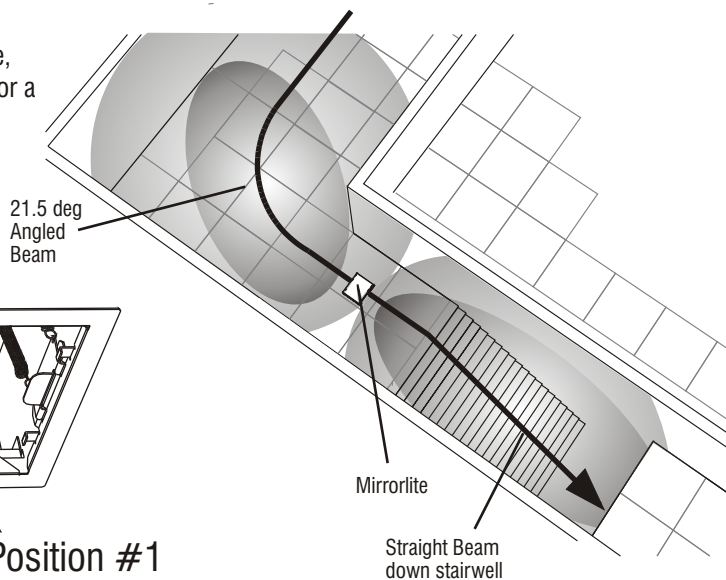
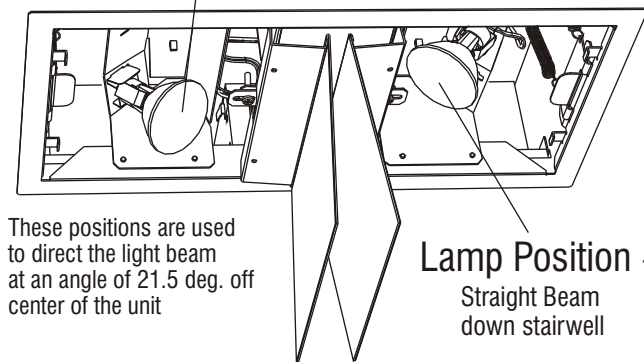
Compliance with the Life Safety Code NFPA 101, Section 7.9.2.1 requires even illuminance, over a specified area, of 1fc average with a minimum illumination of 0.1fc at any point with a ratio of not more than 40 to 1 maximum to minimum illuminance.

To meet this requirement Mirrorlite uses reflected and direct illumination that is matched, in wattage, to the size of the area to be illuminated. Precision independently adjustable light beams allow precise positioning for even coverage.

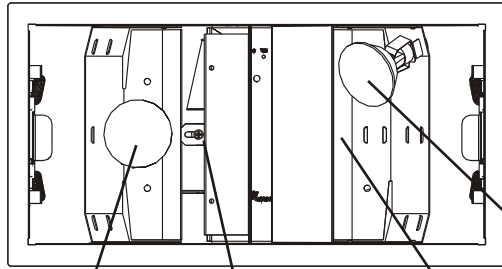
The Interactive Selection Guide, on the Evenlite Web Site, allows the user to select the correct unit lamp wattage for a given floor area and mounting height.

### Special Ceiling Mount Applications

#### Lamp Position #2 & #3



## Wall Mount Applications



### Lamp Position #4

Direct lamp beam used for long throw or opposite egress way illumination

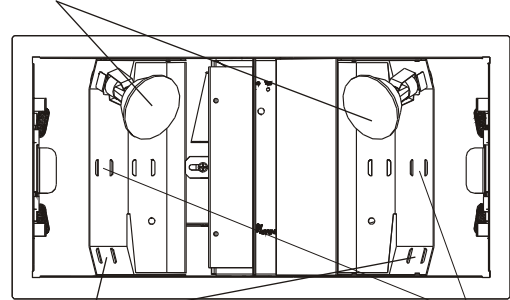
Light Beam Adjusting Screw fully tightened (door full open)

Light Beam adjustment screw allows beam center positioning out from wall - 0 to 40 degrees

Lamp Position #2  
Standard Wall Mount Position

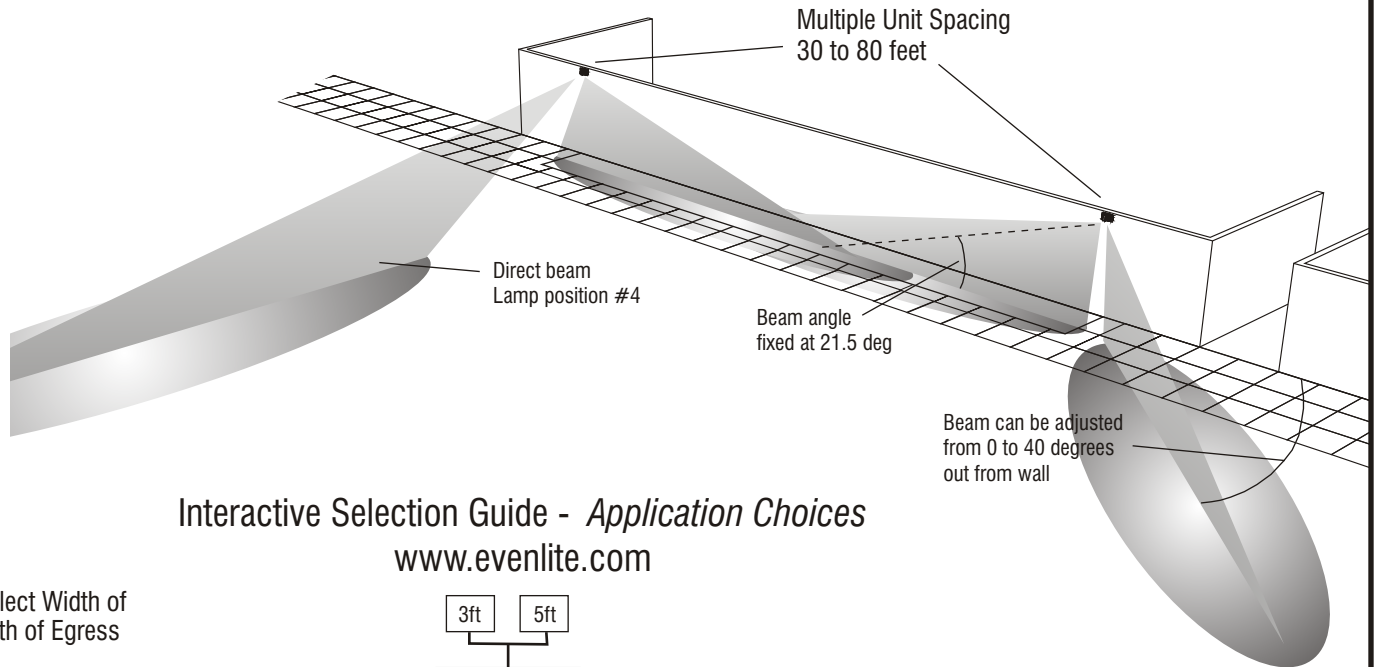
Lamp Position #2  
Standard Wall Position

## Lamp Positions



Lamp Position #3  
Alternate Ceiling Position

Lamp Position #1  
Standard Ceiling Position



### Interactive Selection Guide - Application Choices

[www.evenlite.com](http://www.evenlite.com)

Select Width of Path of Egress

3ft | 5ft

Select Length of Path of Egress

10 ft to 100ft

Select Ceiling Height

8ft | 10ft | 12ft | 14ft | Ceiling | Wall | 7ft | 9ft | 11ft | 13ft

Select Mounting Location

Room | Near wall | Hallway

**Single Unit:**

The path length covered by one lamp of the unit

**Multiple Units:**

The optimum spacing between units

Single | Multiple

Mirrorlite Units Matched for Lamp Wattage  
(List of all applicable units)