

Phoenix 6 and 12 volt, 28-100 Watt Plastic Emergency Lighting Units



The PHOENIX series provides a compact, self - contained emergency lighting unit with the ability to power remote fixture loads. An injection molded ABS housing with a warm beige finish provides a durable, contemporary low profile fixture suitable for commercial and industrial applications.

Features

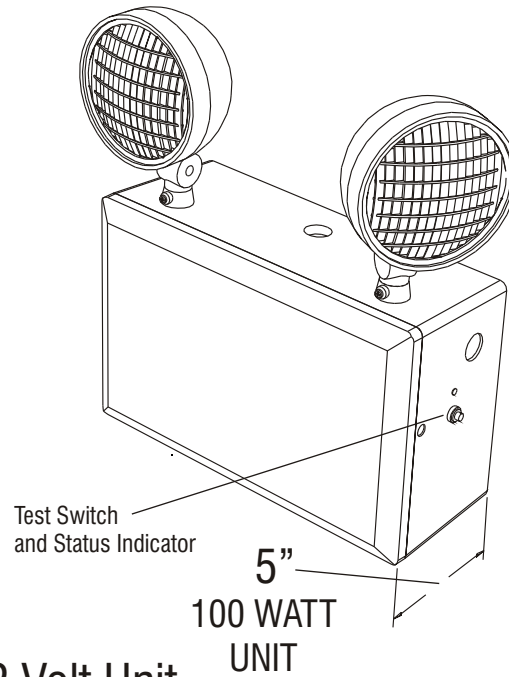
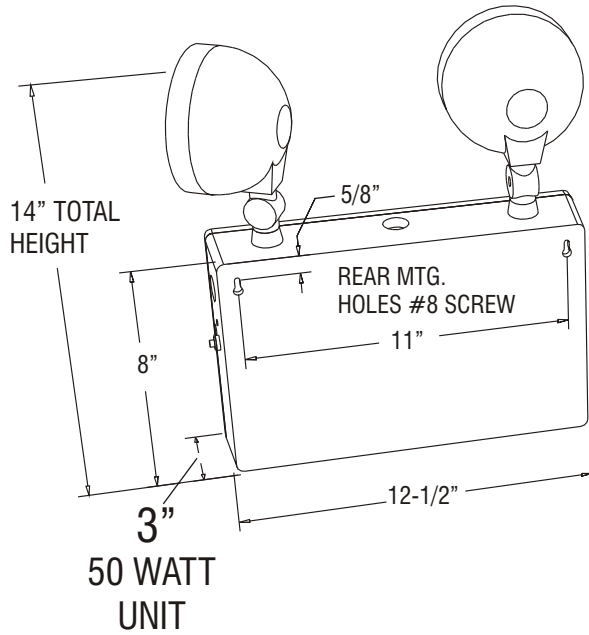
- Available with a wide range of fully adjustable lighting heads
- Includes two-top mounted lighting heads that can be field modified for side-mount applications
- 5/32 inch thick rugged ABS Injection molded cabinet with softened corners in a neutral warm beige color
- Universal rear entry knockout pattern with keyhole mounting slots
- Top and side knockouts for conduit entry
- Snap fit door additionally secured by nickel plated steel counter sunk screws
- Captive battery restraints are standard and suit ZONE 4 type applications
- The standard PW Series lamp heads include a specular metal reflector and a glass refractive lens sealed with a compressed gasket
- Maintenance free sealed lead calcium batteries
- UL 924 listed
- 3 Year limited warranty

Electronics

- Field selectable 120 or 277 VAC input
- Remote load lead wires included as standard
- Momentary test switch and AC status indicator
- Constant voltage solid state charging circuit
- Line-latch prevents unnecessary discharge of battery during installation, loads will not illuminate until after application of utility power
- Low voltage cut-off prevents battery damage and ensures positive charge acceptance following an extended discharge
- Brownout sensing assures emergency operation during periods of low line voltage



Phoenix 6 and 12 volt, 28-100 Watt Plastic Emergency Lighting Units



50 Watt and 100 Watt 6 or 12 Volt Unit Dimensions

Phoenix Ordering Guide

P2E28 - PW - TD

Operating Characteristics

Model No.	Capacity VDC/W	Battery Type	Capacity in Watts		
			1-1/2 Hrs	2 Hrs	3 Hrs
P2E28	6 Volt 28 Watt	Lead Calcium	28w	20w	16w
P2E50	6 Volt 50 Watt	Lead Calcium	54w	38w	30w
P2E100	6 Volt 100 Watt	Lead Calcium	100w	66w	45w
P4E50	12 Volt 50 Watt	Lead Calcium	54w	38w	30w
P4E100	12 Volt 100 Watt	Lead Calcium	100w	66w	45w

Lighting Heads

PW67 Standard 6 Volt, 7 Watt Unit Lamphead
 PW129 Standard 12 Volt, 9 Watt Unit Lamphead
 For additional Lighting Heads refer to
Lamp Selection Guide 80.1 - P series - W, S or H lamps
Note: 25 Watt Maximum Lamp

Options

WG5 Wire Guard
 TD 15 Minute Time Delay
 C 3 ft Conductor Cord and Plug

Project Name:	Approved By:
Catalog No:	Type No: