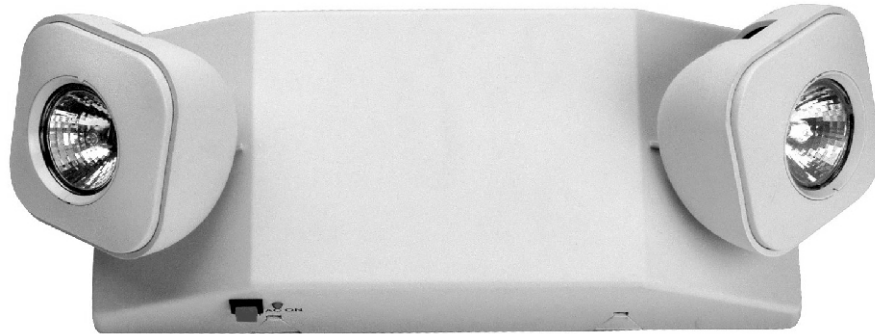


Telesis TMR Series MR16 Halogen Emergency Light



The Telesis TMR provides high performance MR16 halogen lamps in an economical contemporary housing that complements most interior applications. The TMR is engineered for Quick fit easy installation and maintenance free reliability.

Features

- Fully automatic operation
- Two fully adjustable 6 volt 5 watt (10 watt lamps optional for High Capacity Model) MR16 Halogen lighting heads
- High Capacity model available for remote loads or extended run time
- Self-Test / Self-Diagnostic option
- Compact low profile design
- High impact, flame retardant injection molded thermoplastic housing in a white finish
- "First Fix" quick connect universal mounting plate provides quick, labor-saving installation
- Snap fit together housing
- Knock out mounting pattern and top conduit entry
- Wall or ceiling mounted
- Maintenance free sealed lead calcium batteries
- UL 924 Listed
- 3 Year limited warranty

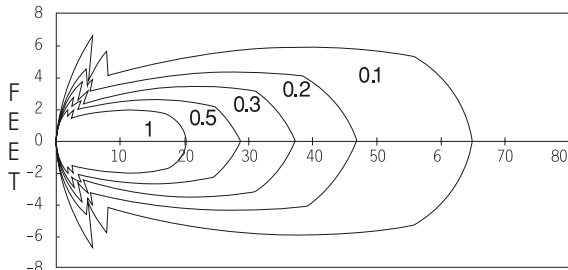
Construction

- Field selectable 120 or 277 VAC input
- Momentary test switch and AC status indicator
- Constant voltage solid state charging circuit
- Line-latch prevents unnecessary discharge of battery during installation, loads will not illuminate until after application of utility power
- Low voltage cut-off prevents battery damage and ensures positive charge acceptance following an extended discharge
- Brownout sensing assures emergency operation during periods of low line voltage
- Damp location environmentally -coated circuitry

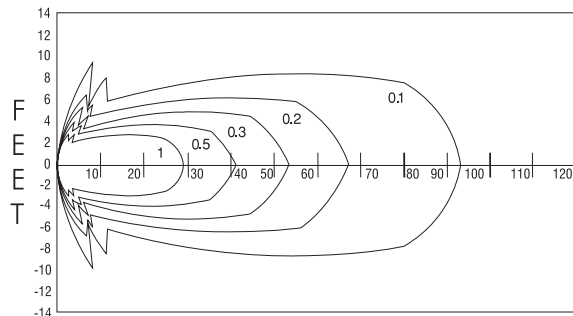


Telesis TMR Series MR16 Halogen Emergency Light

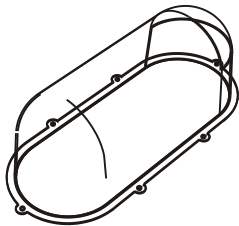
Isofootcandle Curves



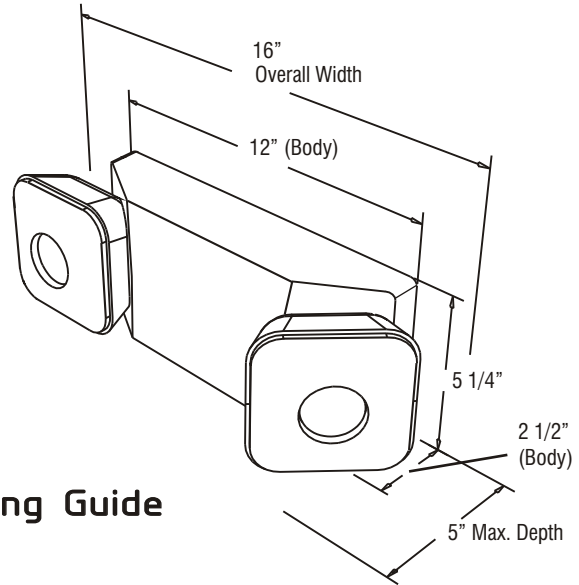
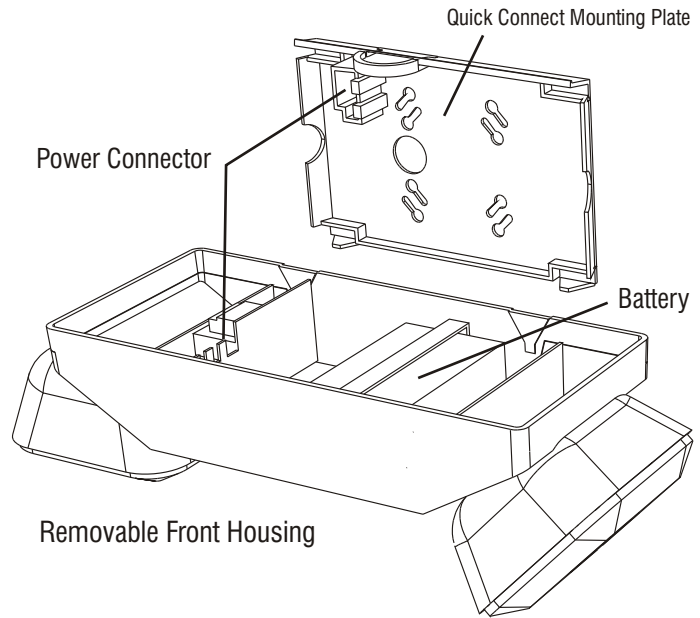
DISTANCE FROM LAMP IN FEET
(5-Watt MR-16 Lamp)



DISTANCE FROM LAMP IN FEET
L110009 10 Watt MR16 Lamps



VRS Polycarbonate Shield
see data sheet 5a.1



Telesis Ordering Guide

TMR - 2 - W - SD

Model	Battery Capacity	Color	Options
TMR Telesis MR16 Emergency Light	2 6 Volt 11 W (5 watt MR16) 2E22 6 Volt 22 Watt (12 watt Remote Capable) (supplied with 5 watt MR16 standard)	W White B Black	SD Self-Test / Self-Diagnostic L110009 10 Watt MR16 Lamps (2E22 ONLY) M990005 Wire Guard (order separately) VRS Polycarbonate Shield (order separately)



3161 State Road
Bensalem, PA 19020
Tel: (800)872 0879
Fax: (215)244 4208
www.evenlite.com 10/07

Fixture Schedule	Project Name:	Approved By:
	Catalog No:	Type No: