

# Telesis TLRC Series Remote Capable LED Exit Sign



The Telesis TLRC provides an economical compact thermoplastic LED Exit sign with an additional 12 watts battery capacity for operation of remote 6 Volt loads or extended unit run time (6 hours) for the Exit sign without remote loads.

## Features

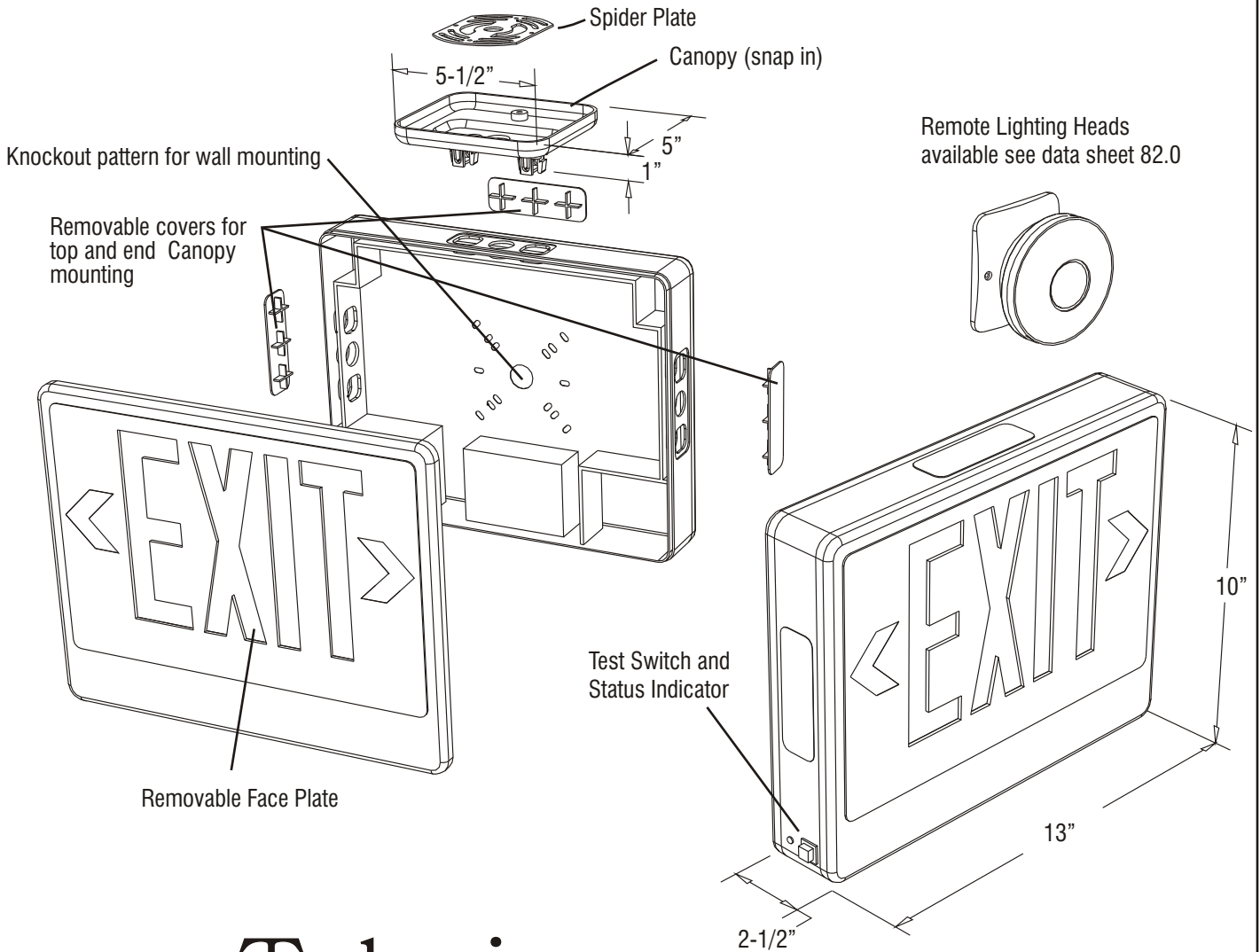
- Quality LED light source provides exceptional low energy consumption with extended life rated up to 25 years
- 12 Watt **additional** battery capacity (for 90 minutes) powers remote 6 Volt DC loads or extended Exit Sign run time
- Self-Test / Self-Diagnostic option
- High impact, flame retardant injection molded thermoplastic housing available in white or black
- Snap fit together housing with universal low profile mounting canopy
- Universal Single or Double Face
- Field selectable chevron directional indicators
- Maintenance free sealed lead calcium batteries
- UL 924 Listed
- 3 Year limited warranty

## Construction

- Field selectable 120 or 277 VAC input
- Momentary test switch and AC status indicator
- Constant voltage solid state charging circuit
- Line-latch prevents unnecessary discharge of battery during installation, loads will not illuminate until after application of utility power
- Low voltage cut-off prevents battery damage and ensures positive charge acceptance following an extended discharge
- Brownout sensing assures emergency operation during periods of low line voltage
- Damp location environmentally -coated circuitry



# Telesis TLRC Series Remote Capable LED Exit Sign



## Telesis Ordering Guide

TLRC - RU - W - SD

<p><b>Model</b></p> <p><b>TLRC</b> Telesis Remote Capable LED Exit</p>	<p><b>Legend Color</b></p> <p><b>RU</b> Red Universal <b>GU</b> Green Universal</p>	<p><b>Housing Color</b></p> <p><b>W</b> White <b>B</b> Black</p>	<p><b>Options</b></p> <p><b>SD</b> Self-Test / Self-Diagnostic</p>
--	---	--	--



3161 State Road  
Bensalem, PA 19020  
Tel: (800)872 0879  
Fax: (215)244 4208  
www.evenlite.com 09/07

<b>Fixture Schedule</b>	Project Name:	Approved By:
	Catalog No:	Type No: