

Security Cover SLC Clear Polycarbonate



High Impact, Low Profile Clear Polycarbonate Security Covers

Construction

Heavy wall polycarbonate cover with 45 degree bevelled edges and rounded corners to withstand high impact without damage. Tamper-resistant screws (included) prevent unauthorized removal.

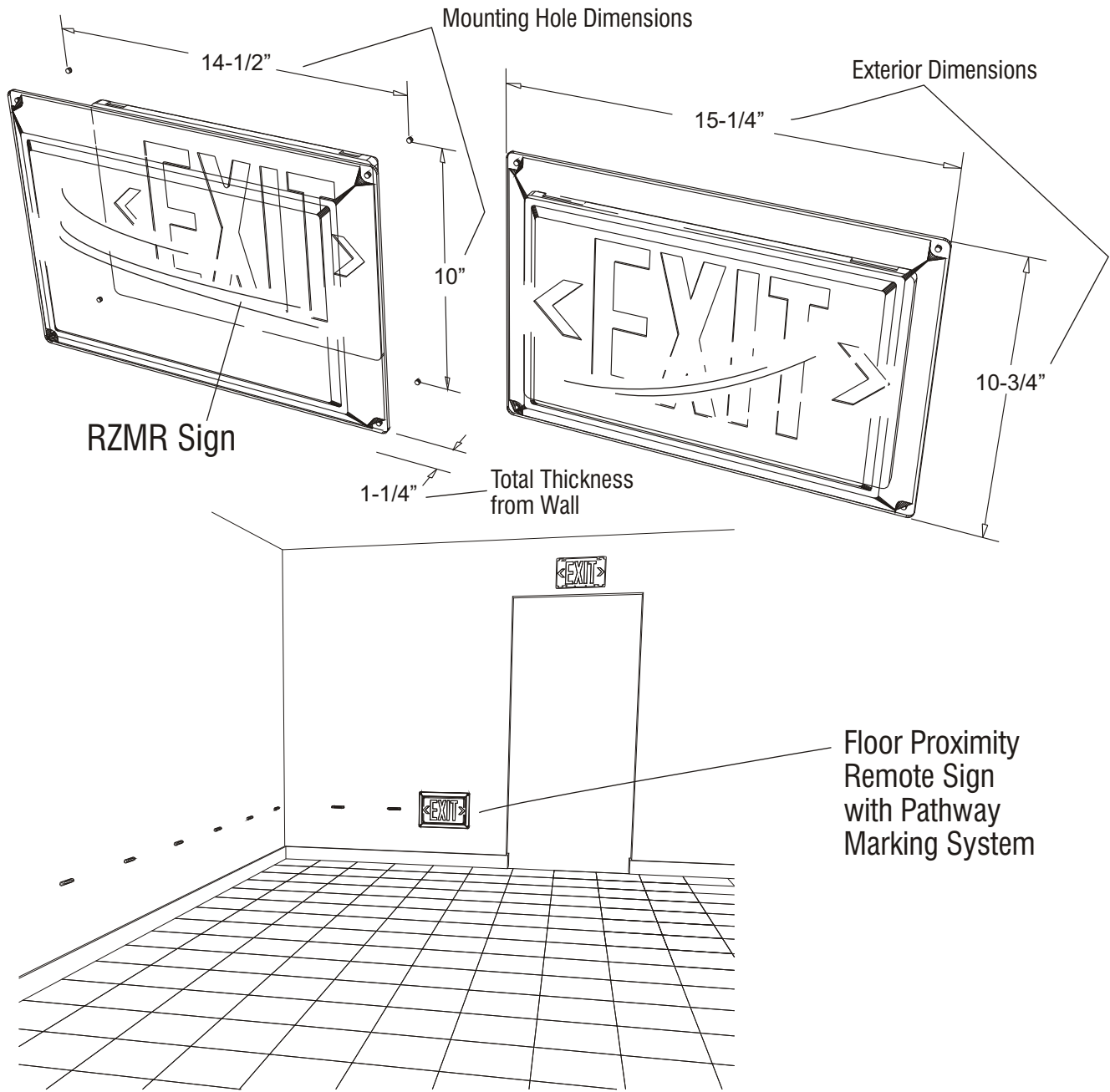
Suitable for use in hazardous atmospheres and wet locations with Self-Luminous Exit Signs. Meets NEC Article 500 Class I and II conditions.

**The SLC Cover fits
Razor wall mount "RZR"
Sentry Remote "CDMR"
Razor Remote "RZMR"
and Self-Luminous "SL"**



LISTED FOR FLOOR
PROXIMITY EXIT SIGNS

Security Cover SLC Clear Polycarbonate



Security Cover Ordering Guide

Specify SLC Polycarbonate Security Cover



3161 State Road
 Bensalem, PA 19020
 Tel: (800)872 0879
 Fax: (215)244 4208
 www.evenlite.com 10/07

Fixture Schedule	Project Name:	Approved By:
	Catalog No:	Type No: