

TUFFLITE IX NEMA 4X Wet Location Emergency Light



Tufflite "IX" Industrial NEMA emergency lighting units are designed for use in hostile areas where oil, water and dust resistant equipment is required. The fibreglass enclosure meets the requirements of the following classifications:

NEMA 4X: Protects enclosed equipment against falling rain, splashing or hose directed water. Is undamaged by the formation of ice on the enclosure and is corrosion resistant.

NEMA 12: Protects enclosed equipment against dust, dirt and dripping water.

Features

- Wet and damp location listed to UL 924
- Suitable for use in temperature range of 32°F to 104°F - heater option available for colder applications
- Impact resistant reinforced polyester fibreglass housing in grey finish. Suitable for NEMA 4, 4X, 12 & 13 applications
- Hinged front access door for ease of maintenance
- External 4 hole mounting provision provides ease of installation with minimal cabinet intrusion
- Two fully adjustable, top mounted PAR 36 style lamp heads in high impact thermoplastic available with a variety of lamp types and wattage's
- Choice of maintenance free sealed lead calcium or nickel cadmium batteries
- 3 Year limited warranty

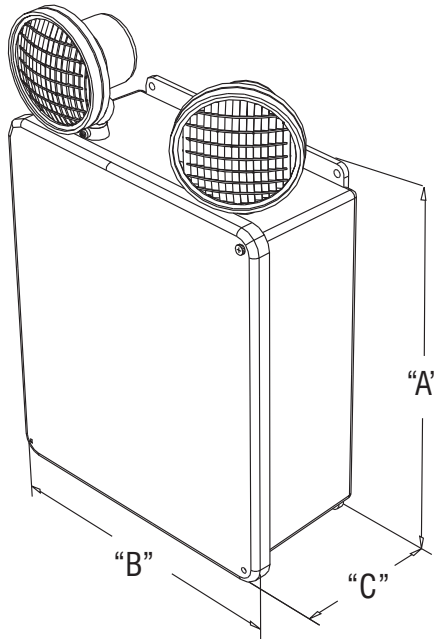
Electronics

- Premium, fully automatic current limited "Pulse Switching" charger provides ideal charge conditions for optimum battery performance and life
- Short Circuit battery protection
- Field selectable 120 or 277 VAC input
- Sealed external Momentary test switch and dual diagnostic LED indicator displays AC and Hi-Charge status
- Line-latch prevents unnecessary discharge of battery during installation, loads will not illuminate until after application of utility power
- Low voltage cut-off prevents battery damage and ensures positive charge acceptance following an extended discharge
- Brownout sensing assures emergency operation during periods of low line voltage
- Self-Test / Self-Diagnostic monitoring available



TUFFLITE IX

NEMA 4X Wet Location Emergency Light



Operating Characteristics

Model	Voltage	90	Wattage			Case Dimensions		
			2HR	3HR	4HR	*"A"	"B"	"C"
IX2E27	6	27	18	12	8	11.3"	9.3"	5.4"
IX2E36	6	36	27	18	12	11.3"	9.3"	5.4"
IX2E54	6	54	36	27	18	13.3"	11.3"	5.6"
IX2E72	6	72	54	36	27	13.3"	11.3"	5.6"
IX2E100	6	100	72	54	36	13.3"	11.3"	5.6"
IX4E36	12	36	27	18	12	11.3"	9.3"	5.4"
IX4E54	12	54	36	27	18	13.3"	11.3"	5.6"
IX4E72	12	72	54	36	27	13.3"	11.3"	5.6"
IX4E100	12	100	72	54	36	13.3"	11.3"	5.6"
IX4E200	12	200	100	72	54	14.0"	12.0"	6.0"
IX4E300	12	300	200	100	72	18.0"	16.0"	6.6"
IX4E400	12	400	300	200	100	18.0"	16.0"	6.6"

Nicad Batteries deliver the same capacity per wattage as above for listed models

Note: Add 6" to "A" dimension for Lamp Heads

TUFFLITE IX Ordering Guide

IX2E27 - W69 - SD

Model No. Lead Calcium Battery 90 Minute Capacity

IX2E27	6 Volt - 27 Watts
IX2E36	6 Volt - 36 Watts
IX2E54	6 Volt - 54 Watts
IX2E72	6 Volt - 72 Watts
IX2E100	6 Volt - 100 Watts
IX4E36	12 Volt - 36 Watts
IX4E54	12 Volt - 54 Watts
IX4E72	12 Volt - 72 Watts
IX4E100	12 volt - 100 Watts
IX4E200	12 Volt - 200 Watts
IX4E300	12 Volt - 300 Watts
IX4E400	12 Volt - 400 Watts

Model No. Nickel Cadmium Battery 90 Minute Capacity

IX2N27	6 Volt - 27 Watts
IX2N36	6 Volt - 36 Watts
IX2N54	6 Volt - 54 Watts
IX4N54	12 Volt - 54 Watts
IX4N72	12 Volt - 72 Watts
IX4N125	12 volt - 125 Watts

Lighting Heads

W69	Standard unit Lamphead 6 V 9W
W129	Standard unit Lamphead 12 V 9W
W	For additional Lampheads refer to Lamp Selection Guide Data sheet 80.1
C	
S	
H	
Note: Total lamp wattage must not exceed unit 90 minute capacity rating	

Options

SD	Self Test / Self Diagnostic
V	Voltmeter
A	Ammeter
H	Internal Heater (Specify AC Voltage)
SR	Shatter Resistant Lamphead Shield for food prep applications
TD	15 Minute Time Delay (Specify AC Voltage)
F	Front Mounted heads