

# Telesis LED Exit Signs



Telesis LED exit signs feature low energy, long life LED light sources in an attractive, and economical low profile, tough ABS housing. Telesis exits are universal single or double face, and include a low profile canopy and field selectable chevron indicators. Snap-Fit construction and quick connect components provide fast, installer friendly installation and ease of maintenance.

## Features

- Exceptionally Low Energy Consumption at just 2 Watts avg.
- LED light source with 20+ years life expectancy
- Attractive, Low Profile ABS Injection Molded Thermoplastic housing in a pure white or Black finish
- Universal single or double face with mounting canopy
- Snap Together, Quick Fit Installation with Field Selectable Chevron Indicators
- High Intensity LED Array and spectrally matched diffuser providing superior visual brightness and uniformity
- UL 924 listed and meets or exceeds all performance standards as required by NFPA 70, NFPA101, NEC and OSHA
- Damp location listed as standard
- Available with a full self-test / self-diagnostic option and infra-red remote testing

## Electronics

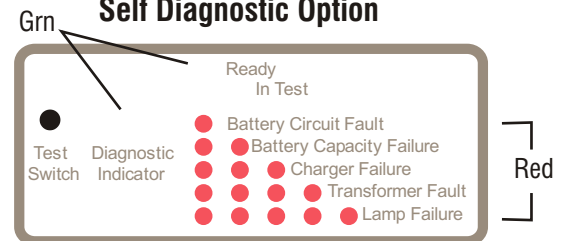
- Electronic Control Circuit and Isolation Transformer provide current control and circuit protection ensuring optimum LED efficiency and life
- Fully integral Quick Connect components
- 3 Hour Emergency Duration with premium Nickel Cadmium Battery
- Zero Current Low Voltage Battery Cut Off
- Line-latch prevents unnecessary discharge of battery during installation
- Field Selectable 120 or 277 VAC input
- AC Present Indicator and Push to Test Switch
- 3 Year Warranty

## Remote Control Transmitter

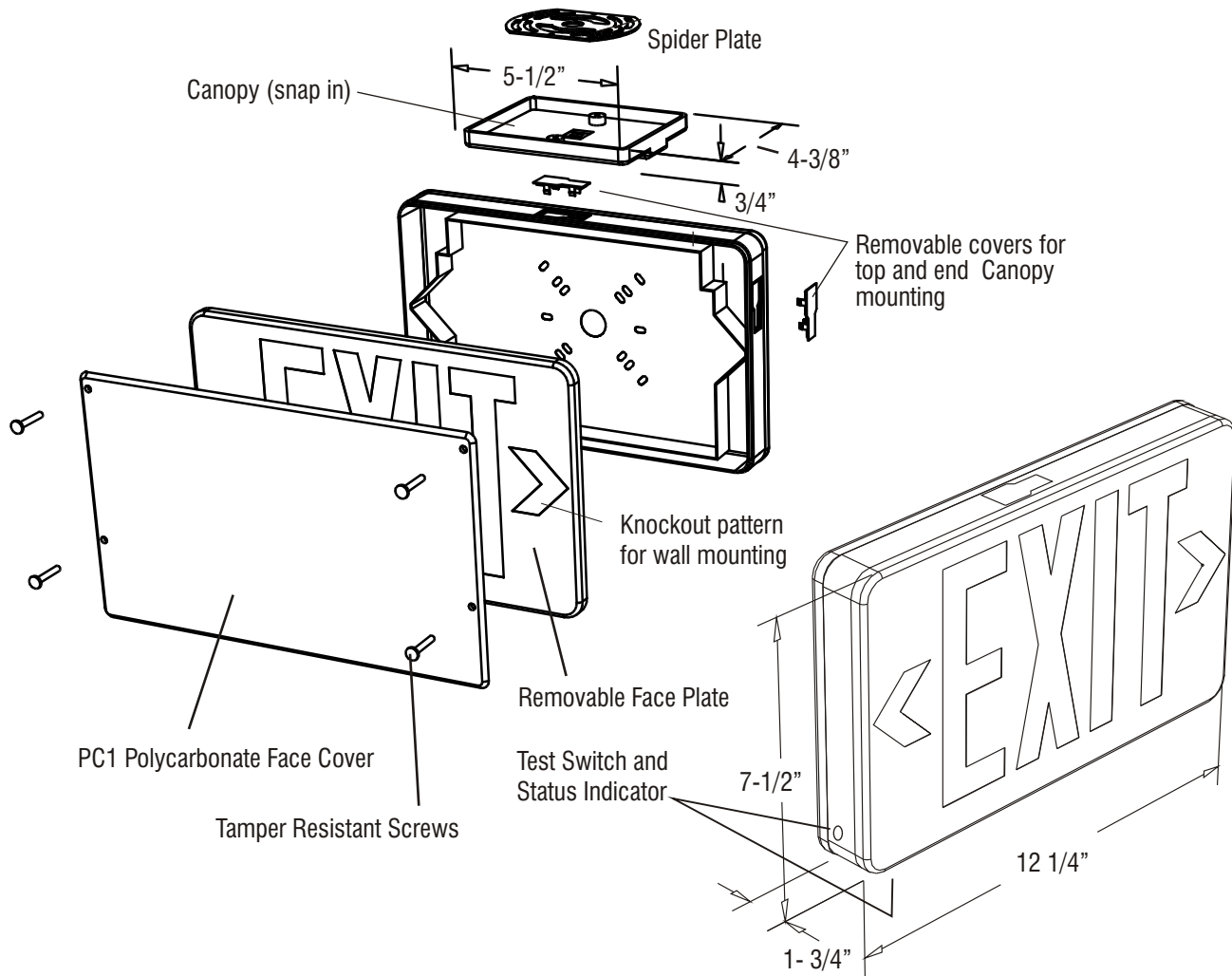


\* Add option designation - RT to product number. Order Remote Transmitters separately - order code: TLRT

## Self Diagnostic Option



# Telesis LED Exit Signs



## Telesis Ordering Guide

TLX - EM - RU - W - W

Model	
TLX	Telesis LED Exit Sign

Operation	
AC	AC Only 120/277
EM	Battery Back-up Emergency

Legend Color	
RU	Red Universal
GU	Green Universal

Housing Color	
W	White (standard)
B	Black

Options	
DK	Two Circuit Input (AC Only Operation)
RT	Infra-Red Remote Testing Receiver Option
TLRT	Infra-Red Remote Hand Held Transmitter (order separately)
SD	Self-Diagnostic Testing includes Optional Fire Alarm Interface
PC1	1/8" Polycarbonate Face Cover with Tamper Resistant Screws
PA	12" Swivel Pendant Kit
PB	24" Swivel Pendant Kit
PC	36" Swivel Pendant Kit
PD	48" Swivel Pendant Kit



3161 State Road  
 Bensalem, PA 19020  
 Tel: (800)872 0879  
 Fax: (215)244 4208  
 www.evenlite.com 10/07

Fixture Schedule

Project Name:	Approved By:
Catalog No:	Type No: