

Telesis TLM2 Series MR16 Halogen Emergency Light



The Telesis TLM2 provides high performance MR16 halogen lamps in an economical contemporary housing that complements most interior applications. The TLM2 is engineered for Quick fit easy installation and maintenance free reliability.

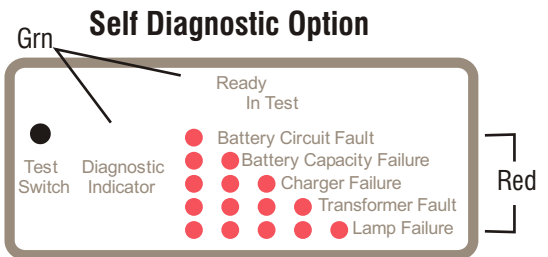
Features

- Fully automatic operation
- Two adjustable 6 volt 5 watt super bright MR16 Halogen lighting heads
- Snap-fit Assembly provides E-Z installation
- Compact low profile design
- High impact, flame retardant injection molded thermoplastic housing in a pure white or black finish
- Knock out mounting pattern and top conduit entry
- Optional Snap fit Canopy for ceiling mount installations
- Maintenance free sealed 6 Volt 4.5 Ah lead calcium battery
- Self-Test / Self-Diagnostic option available
- Infra-Red remote testing option available with selectable 30 second or 90 minute test durations
- UL 924 Listed
- 3 Year limited warranty

Construction

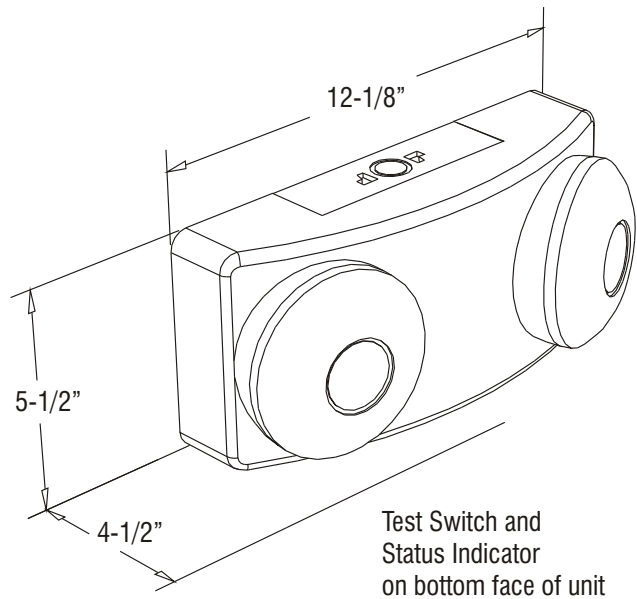
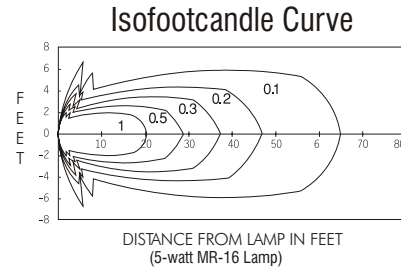
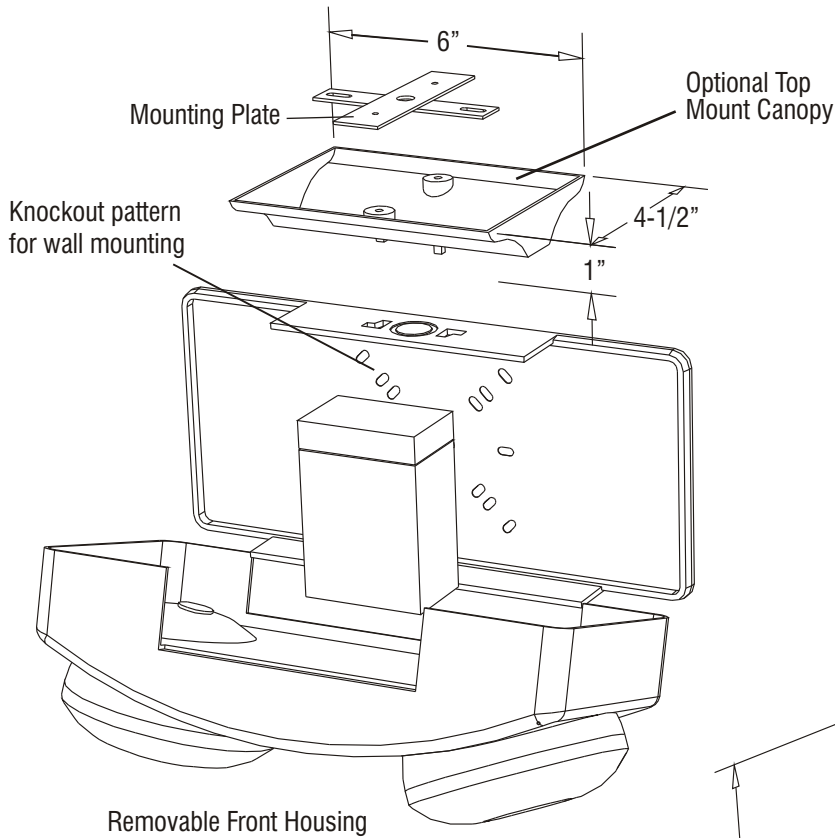
- Field selectable 120 or 277 VAC input
- Momentary test switch and AC status indicator
- Constant voltage solid state charging circuit
- Line-latch prevents unnecessary discharge of battery during installation, loads will not illuminate until after application of utility power
- Low voltage cut-off prevents battery damage and ensures positive charge acceptance following an extended discharge
- Brownout sensing assures emergency operation during periods of low line voltage
- Damp location environmentally - coated circuitry provided as standard

Remote Control Transmitter



* Add option designation - RT to product number. Order Remote Transmitters separately - order code: TLRT

Telesis TLM2 Series MR16 Halogen Emergency Light



Telesis Ordering Guide

TLM2 - W - SD

Model

TLM2 Telesis MR16 Emergency Light

Housing Color

W White (standard)

Options

RT Infra-Red Remote Testing Receiver Option

TLRT Infra-Red Remote Hand Held Transmitter (order separately)

SD Self-Test / Self-Diagnostic Option

TLXCAN Canopy Mounting Kit for Ceiling Mount Installation

M990005 Wire Guard (order separately)

VRS Polycarbonate Shield (order separately)



3161 State Road
 Bensalem, PA 19020
 Tel: (800)872 0879
 Fax: (215)244 4208
 www.evenlite.com 09/07

Fixture Schedule	Project Name:	Approved By:
	Catalog No:	Type No: