

Telesis TLXCOM Combination LED Exit Sign and Emergency Light



Telesis Combo achieves a superior modern, subtle and compact LED Exit Sign and Emergency Light combination unit. Featuring low energy long life LED light sources in a tough ABS housing. Super bright MR16 halogen lamps provide 40% more light output. Telesis Combo's are remote capable up to 12 Watts, universal single or double face, with a low profile canopy and field selectable chevron indicators. Snap-Fit construction and quick connect components provide fast, installer friendly installation and ease of maintenance.

Features

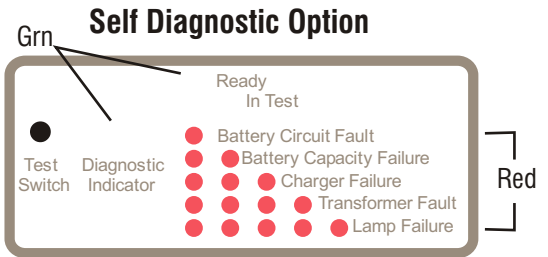
- Standard 6 Volt, 12 Watt **additional** capacity provides remote capability or extended run time
- 5 Watt MR16 Halogen Lighting Heads are independently adjustable from side to top mount for added field versatility
- Attractive, Low Profile ABS Injection Molded Thermoplastic housing in a pure White or Black finish
- Universal single or double face with snap-fit Low Profile Mounting Canopy
- Snap Together, Quick Fit Installation with Field Selectable Chevron Indicators
- High Intensity LED Array and spectrally matched diffuser providing superior visual brightness and uniformity with 20+ years life expectancy
- UL 924 listed and meets or exceeds all performance standards as required by NFPA 70, NFPA101, NEC and OSHA
- Damp location listed provided as standard
- Available with a full self-test / self-diagnostic option and infra red remote testing

Remote Control Transmitter



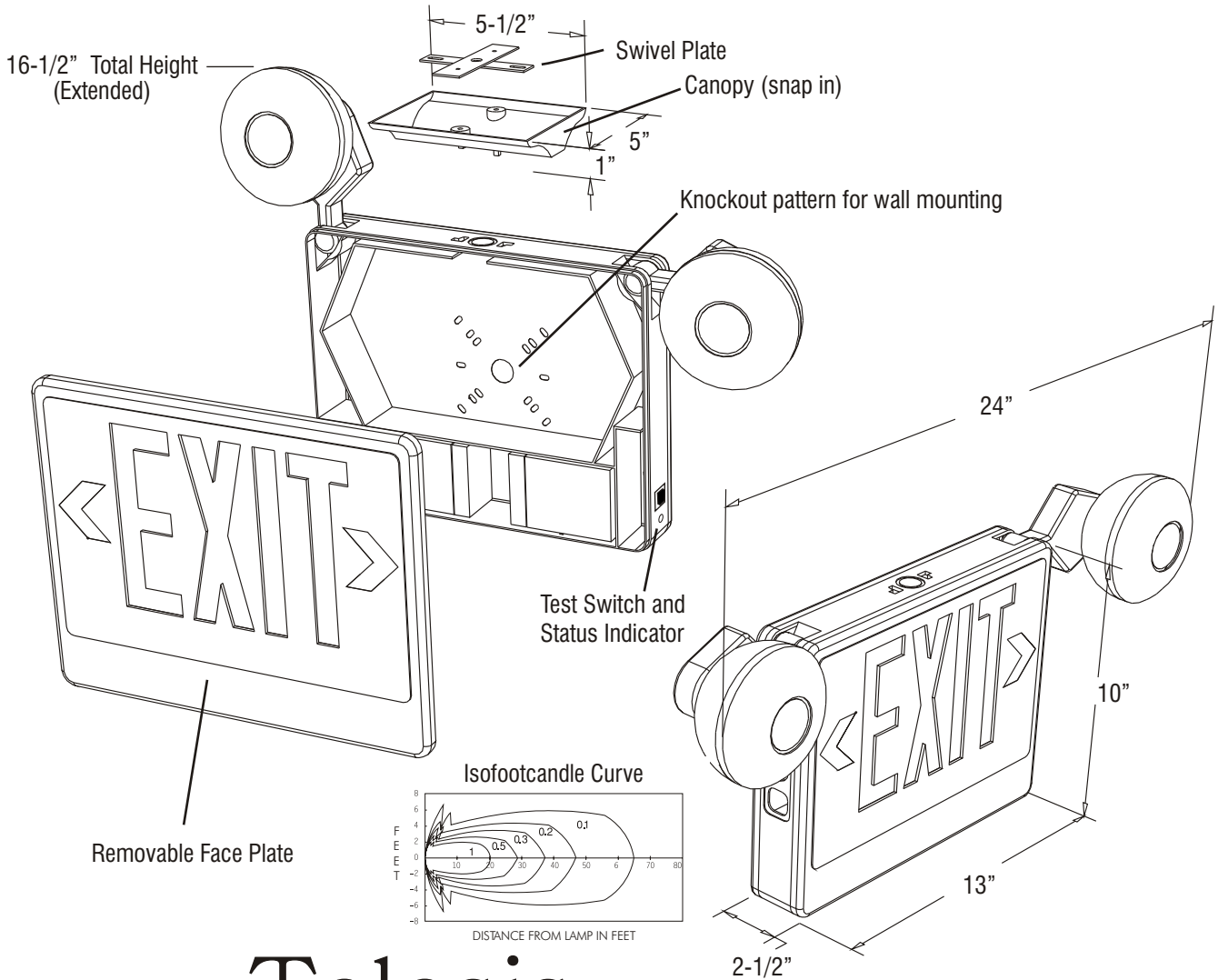
Construction

- Electronic Control Circuit and Isolation Transformer provide current control and circuit protection ensuring optimum LED efficiency and life
- Fully integral Quick connect components
- 3 Hour emergency duration with premium Lead Calcium Battery or 90 min. with remote loads.
- Zero Current Low Voltage Battery Cut Off
- Line-latch prevents unnecessary discharge of battery during installation
- Field Selectable 120 or 277 VAC input
- AC Present Indicator and Push to Test Switch
- 3 Year Warranty



* Add option designation - RT to product number. Order Remote Transmitters separately - order code: TLRT

Telesis TLXCOM Combination LED Exit Sign and Emergency Light



Telesis Ordering Guide

TLXCOM - RU - W - SD

<p>Model</p> <p>TLXCOM Telesis Combo</p>	<p>Legend Color</p> <p>RU Red Universal GU Green Universal</p>	<p>Housing Color</p> <p>W White (Standard) B Black</p>	<p>Options</p> <p>RT Infra-Red Remote Testing Receiver Option TLRT Infra-Red Remote Hand Held Transmitter (order separately) SD Self-Diagnostic Testing includes optional Fire Alarm Interface</p> <p>See sheet 82.0 for Remote Lighting Heads</p>
--	---	---	--

Project Name:	Approved By:
Catalog No:	Type No: