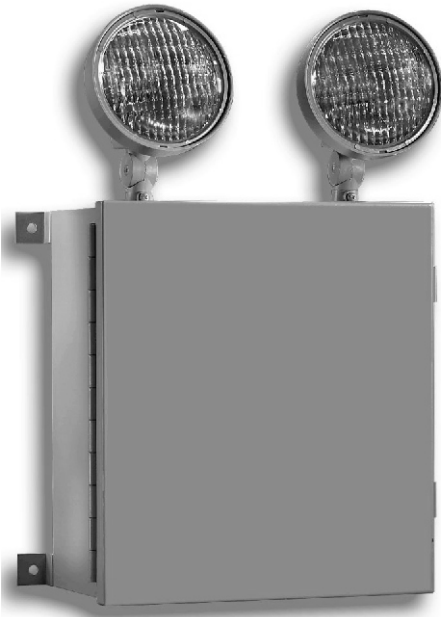


TUFFLITE DT NEMA 12 Industrial Emergency Light



Tufflite “DT” Industrial NEMA emergency lighting units are designed for use in hostile indoor applications. The rugged 20 gauge steel enclosure meets the requirements of NEMA 12 providing protection for the enclosed equipment against dust, dirt, fibers and dripping water.

Features

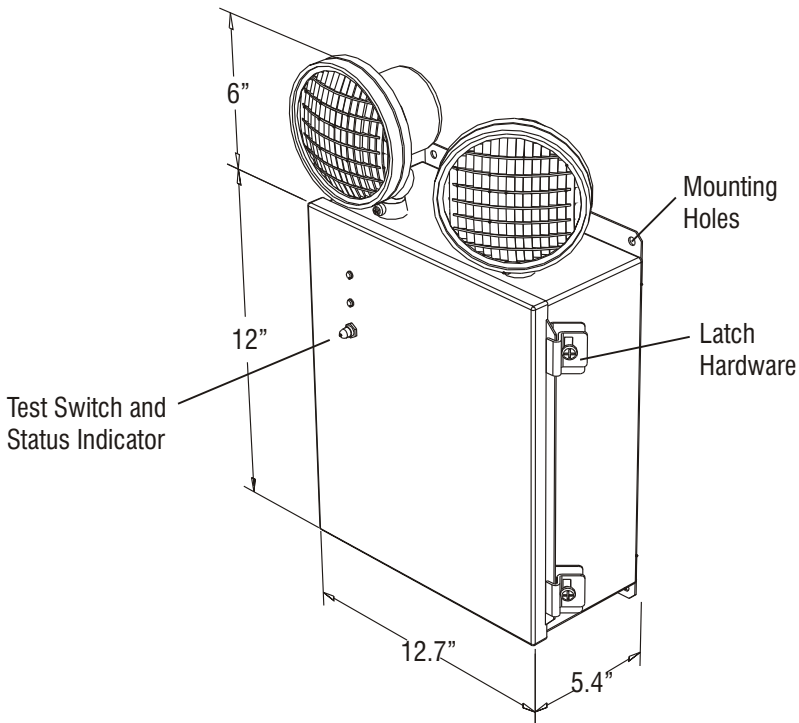
- Rugged 20 gauge steel housing with full welded corners, finished in durable grey powder coat
- Fully gasketed to meet the requirements of NEMA 12 applications
- Piano hinged front access door for ease of maintenance access with stainless steel latch hardware
- External 4 hole mounting provision provides ease of installation with minimal cabinet intrusion
- Two fully adjustable, top mounted PAR 36 style lamp heads in high impact thermoplastic available with a variety of lamp types and wattage's
- Choice of maintenance free sealed lead calcium or nickel cadmium batteries
- Listed to UL 924
- 3 Year limited warranty

Electronics

- Premium, fully automatic current limited “Pulse Switching” charger provides ideal charge conditions for optimum battery performance and life
- Short Circuit battery protection
- Field selectable 120 or 277 VAC input
- Sealed external Momentary test switch and dual diagnostic LED indicator displays AC and Hi-Charge status
- Line-latch prevents unnecessary discharge of battery during installation, loads will not illuminate until after application of utility power
- Low voltage cut-off prevents battery damage and ensures positive charge acceptance following an extended discharge
- Brownout sensing assures emergency operation during periods of low line voltage
- Self-Test / Self-Diagnostic monitoring available



TUFFLITE DT Industrial Emergency Light



Model	Voltage	Wattage			
		90	2HR	3HR	4HR
DT2E27	6	27	18	12	8
DT2E36	6	36	27	18	12
DT2E54	6	54	36	27	18
DT2E72	6	72	54	36	27
DT2E100	6	100	72	54	36
DT4E36	12	36	27	18	12
DT4E54	12	54	36	27	18
DT4E72	12	72	54	36	27
DT4E100	12	100	72	54	36

Nicad Batteries deliver the same capacity per wattage as above for listed models

TUFFLITE DT Ordering Guide

DT2E27 - 2 - W69 - SD

Model No. Lead Calcium Battery 90 Minute Capacity

DT2E27	6 Volt - 27 Watts
DT2E36	6 Volt - 36 Watts
DT2E54	6 Volt - 54 Watts
DT2E72	6 Volt - 72 Watts
DT2E100	6 Volt - 100 Watts
DT4E36	12 Volt - 36 Watts
DT4E54	12 Volt - 54 Watts
DT4E72	12 Volt - 72 Watts
DT4E100	12 volt - 100 Watts

Model No. Nickel Cadmium Battery 90 Minute Capacity

DT2N27	6 Volt - 27 Watts
DT2N36	6 Volt - 36 Watts
DT2N54	6 Volt - 54 Watts
DT4N54	12 Volt - 54 Watts
DT4N72	12 Volt - 72 Watts
DT4N100	12 volt - 100 Watts

No. of Top Mounted Lighting Heads

0	No Lighting Heads
1	Single Lighting Head
2	Double Lighting Head

Lighting Heads

W69	Standard unit Lamphead 6 V 9W
W129	Standard unit Lamphead 12 V 9W
W	For additional Lampheads refer to Lamp Selection Guide Data sheet 80.1
C	
S	
H	
Note: Total lamp wattage must not exceed unit 90 minute capacity rating	

Options

SD	Self Test / Self Diagnostic
V	Voltmeter
A	Ammeter
H	Internal Heater (Specify AC Voltage)
SR	Shatter Resistant Lamphead Shield for food prep applications
TD	15 Minute Time Delay (Specify AC Voltage)
C	3 Ft Conductor Cord & Plug
MH	Metal Lampheads PAR 36 (Type S & H Lamps only)



3161 State Road
Bensalem, PA 19020
Tel: (800)872 0879
Fax: (215)244 4208
www.evenlite.com 09/07

Fixture Schedule

Project Name:	Approved By:
Catalog No:	Type No: