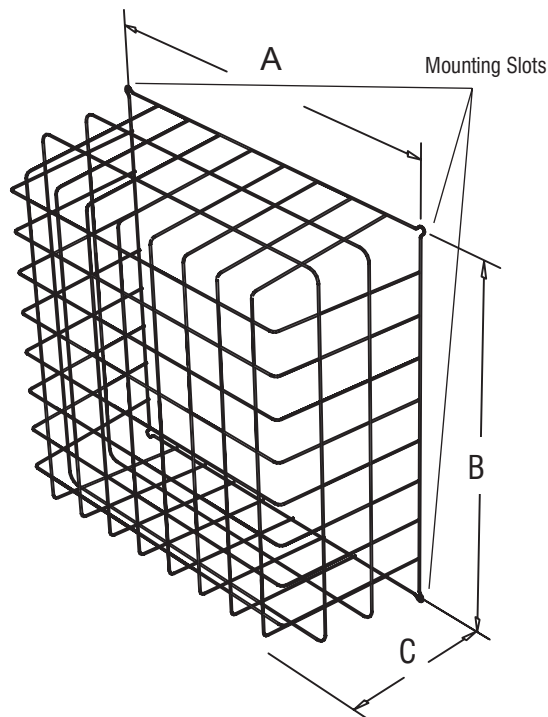


# Wire Guard For Exit Signs and Emergency Lights

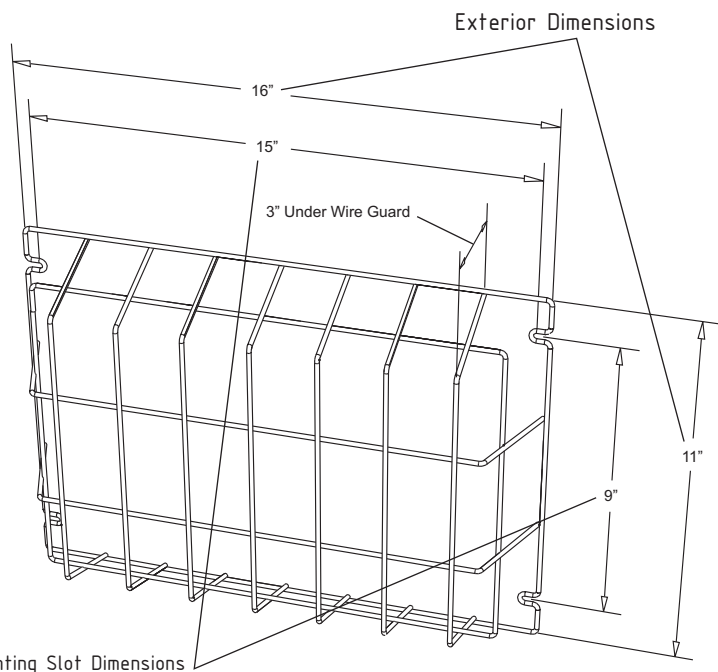


## WG Series Wireguards

Evenlite wireguards provide enhanced protection for emergency lighting equipment from physical damage. All are made from 18 gauge cold rolled steel and finished with a durable white baked powder coat paint for corrosion resistance. Ideal for use in gymnasiums, outdoor installations, loading docks, warehouses, schools and apartment complexes.

## ORDERING INFORMATION

Model/ Number Application	Dimensions		
	A	B	C
<b>WG-1</b> combination exit & battery unit	27.5"	14.5"	8.0"
<b>WG-2</b> wall mount exits	14.0"	10.0"	4.5"
<b>WG-3</b> ceiling mount exits	14.5"	6.0"	10.5"
<b>WG-4</b> SRP1 and SRP2 remotes	6.0"	8.0"	6.0"
<b>WG-5</b> small cabinet battery units	15.0"	14.0"	6.0"
<b>WG-6</b> medium cabinet battery units	20.0"	17.0"	9.0"
<b>WG-7</b> large cabinet battery units	28.5"	24.75"	10.0"
<b>WG-8</b> P1 and L1 remotes	8.0"	6.0"	8.0"
<b>WG-9</b> P2 and L2 remotes	12.0"	9.0"	9.0"



## M990010 Wire Guard

The M990010 Wire Guard is suitable for single face wall mount signs of:

- Telesis TLX**
- Sentry CCDS**
- Razor RZR, RZMR and RCG**
- Sentry CCDMR and CDMR**
- Lifeline LEX and LL**
- Slim Line SL, SLV, REC**
- Sentry Custom Graphic DCG**
- Sentry Industrial CDI**

## Construction

Fabricated from type C-1008, 10 gauge cold drawn steel material with fully welded joints. Finished in a bright zinc plate to ensure optimum protection and durability.

Consult Evenlite for applications not shown here or other special applications



3161 State Road  
Bensalem, PA 19020  
Tel: (800)872 0879  
Fax: (215)244 4208  
www.evenlite.com 09/07

**Fixture Schedule**

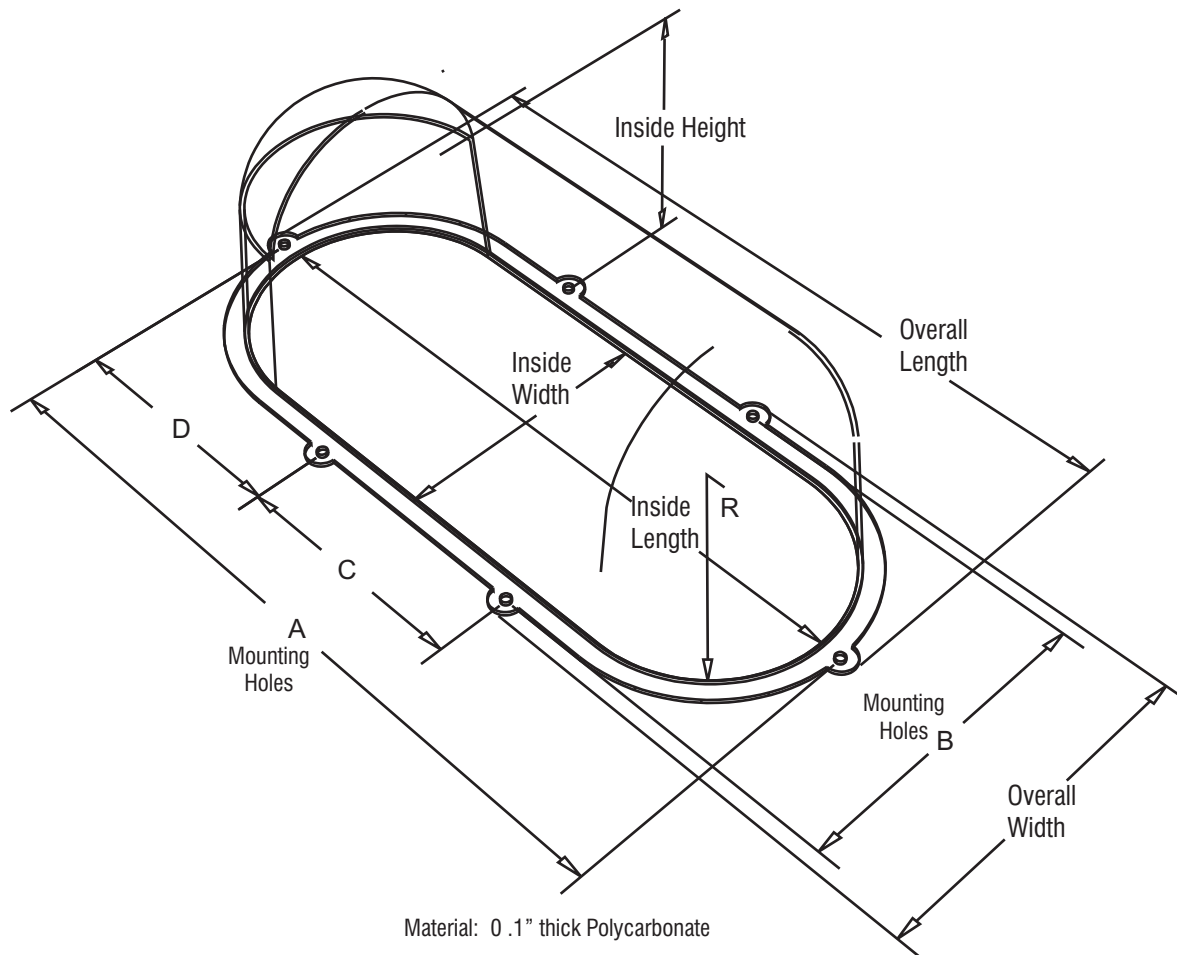
Project Name:	Approved By:
Catalog No:	Type No:

# Vandal Resistant Shields

Protect your emergency lighting equipment from accidental or intentional abuse and unauthorized tampering with Evenlite's polycarbonate vandal cover. Fabricated from clear U.V. stabilized, non-corrosive, unbreakable polycarbonate material, the Vandal Resistant Shield is easy to install to wall or flat surfaces via the mounting holes and tamper proof hardware provided.

Compatible with: Telesis, Sentry, Razor, Remote units and many other fixtures and accessories.

Model. No.	"Inside Height"	"Inside Width"	"Inside Length"	"Overall Length"	"Overall Width"	"A"	"B"	"C"	"D"	"R"
VRS	6-3/16"	6-3/8"	16-3/4"	19"	8-3/8"	18-1/8"	7-5/8"	6"	6"	3-1/4"
VRS-2	6-3/16"	13-1/2"	28-3/4"	32"	16-3/4"	30-3/4"	15-1/2"	9-1/4"	10-3/4"	6-3/4"



Project Name:	Approved By:
Catalog No:	Type No: