

Institutional

INH Exit Signs



The Institutional INH series provides rugged cast aluminum or heavy extruded aluminum frames with a 3/8" polycarbonate lens for the most demanding institutional applications.

Features

- Non-electrical, internally illuminated by sealed tritium gas light sources
- 100% reliable, maintenance free and always on. Requires no external light source, electrical power, wiring or batteries
- As there is no electrical ignition source, the INH is suitable for use in hazardous atmospheres, damp and wet locations. Meets NEC Article 500, Class 1, 11 and 111 conditions
- Green light output for maximum visibility in emergency conditions
- 100 foot visibility rating
- Available in service life ratings of 10, 15 or 20 years
- Tested, approved and listed by Underwriters Laboratories to UL 924
- Limited warranty for the rated life of the product

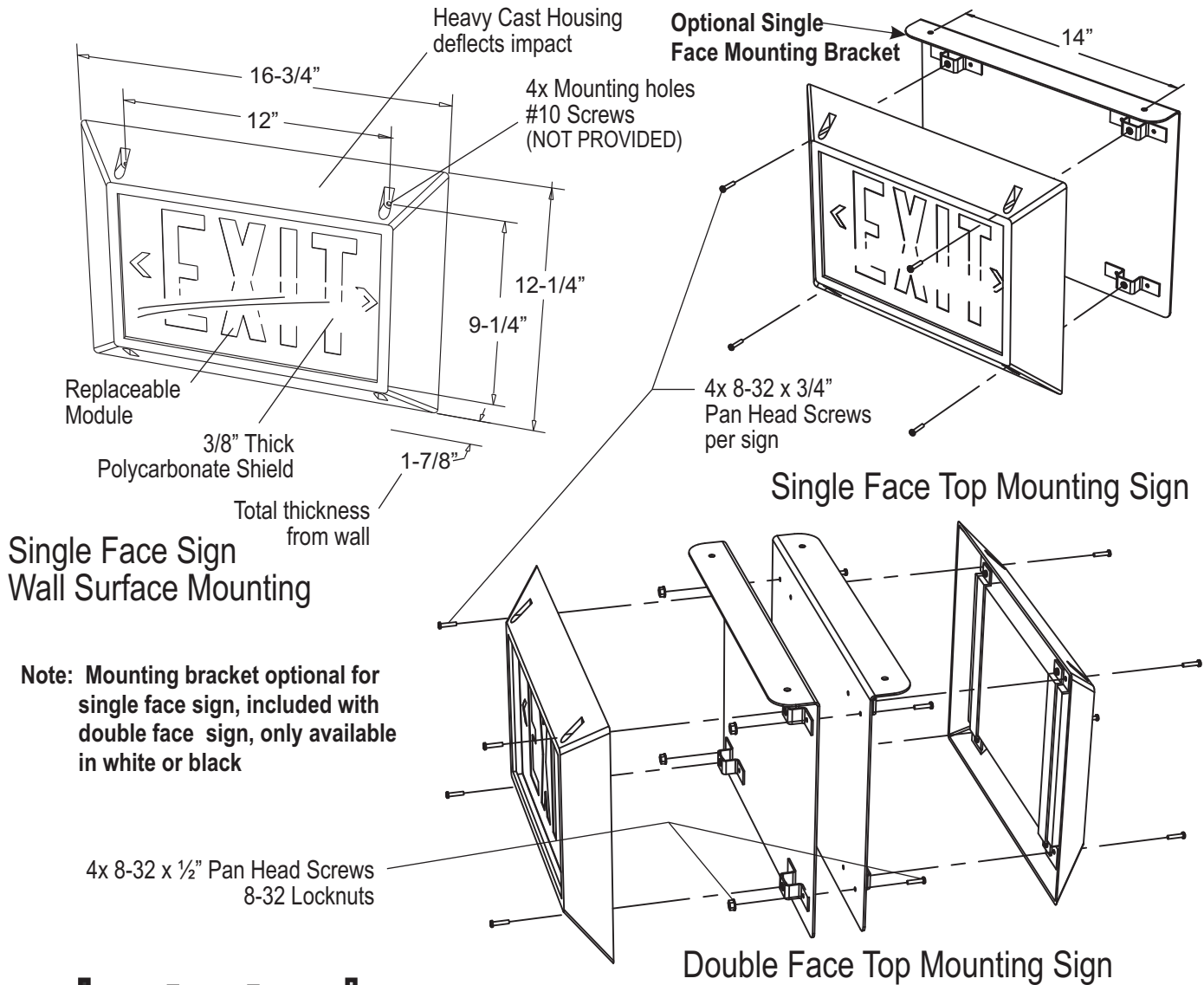
Construction

- Heavy cast aluminum frame single and double face, mounting bracket included with double face sign
- Beveled edges and rounded corners withstand high impacts without damage
- Tamper proof mounting hardware prevents unauthorized removal
- Standard exterior finish, brushed aluminum with clear lacquer coating. Custom paint or anodized colors available
- Aluminum stencil face with field selectable chevron directional indicators
- Polycarbonate shield seals lamp compartment and prismatic refractor lens
- 3/8" clear polycarbonate face shield provided with mounting hardware
- Special Green Legend Option (GL) provides a green illuminated legend apparent in both dark and ambient lighting conditions. Available in 10 and 15 year rated signs with red, black or white background



Institutional

INH Housing



Institutional

Ordering Guide

INH - 10 - 1 - G - BA - GL

Model INH
Institutional
Vandal Resistant

Service Life
10 10 Years
15 15 Years
20 20 Years*
 *1/8" Polycarbonate

Number of Faces
1 Single Face
2 Double Face

Face Color
R Red
G Green
B Black
W White*

Options
GL Green Letters - Available for 10 or 15 year signs R, B or W face color
MB Mounting Bracket Single Face Ceiling Mount

Frame Color
BA Brushed Aluminum
B Black
W White

*White Face, **only** for use with option GL



3161 State Road
 Bensalem, PA 19020
 Tel: (800)872 0879
 Fax: (215)244 4208
 www.evenlite.com 01/10

Fixture Schedule

Project Name:	Approved By:
Catalog No:	Type No: