

# TUFFLITE H 6,12 and 24 volt, 150-400 Watt Metal Series Emergency Light



The Tufflite H Series provides compact emergency lighting units with the ability to power remote fixture loads. The cabinet is constructed of sturdy 20 gauge steel and finished in an attractive durable white powder coat. Batteries are long life, maintenance free sealed lead calcium, 6, 12 or 24 volt DC.

## Features

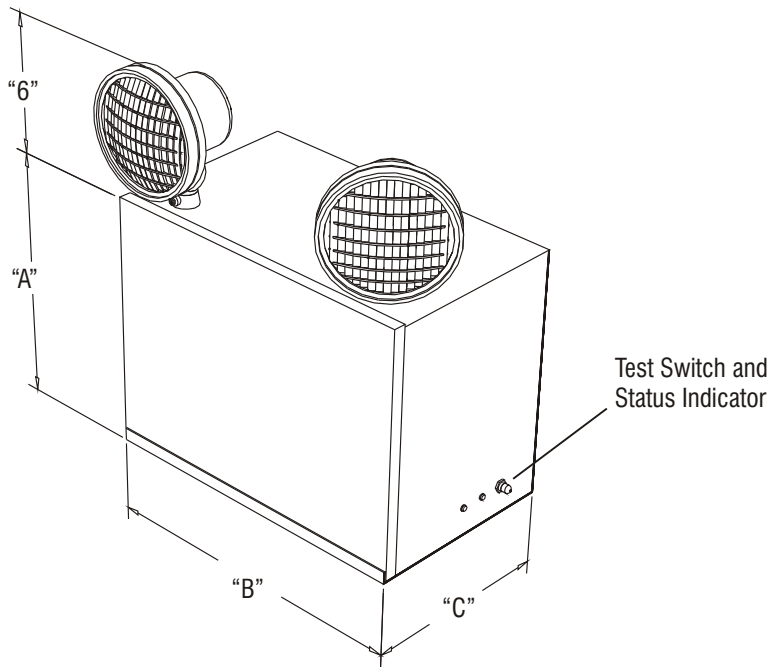
- High capacity models support total loads up to 400 watts or provide for extended discharge periods
- 24 volt units provide for reduced volt drops over longer cable runs.
- Two fully adjustable, top mounted PAR 36 style lighting heads in high impact thermoplastic are supplied as standard. Lighting heads are available with a variety of lamp types and wattage's
- Accommodates up to five lighting heads (3 top, 2 side) Standard units are supplied with two top mounted heads
- 20 gauge steel cabinet with universal knock-out mounting pattern finished in a durable white powder coat finish (other colors available to order)
- Key-hole mounting slots and conduit knockouts are provided for additional mounting possibilities
- Maintenance free sealed lead calcium batteries
- Listed to UL 924
- 3 Year limited warranty

## Electronics

- Premium, fully automatic current limited "Pulse Switching" charger provides ideal charge conditions for optimum battery performance and life
- Short Circuit battery protection
- Field selectable 120 or 277 VAC input
- External Momentary test switch and dual diagnostic LED indicator displays AC and Hi-Charge status
- Line-latch prevents unnecessary discharge of battery during installation, loads will not illuminate until after application of utility power
- Low voltage cut-off prevents battery damage and ensures positive charge acceptance following an extended discharge
- Brownout sensing assures emergency operation during periods of low line voltage
- Self-Test / Self-Diagnostic monitoring available



# TUFFLITE H 6,12 and 24 volt, 150-400 Watt Metal Series Emergency Light



	Dimensions		
	"A"	"B"	"C"
150-200W	10"	13.1"	8.2"
300-400W	10"	18.05"	8.325"

Model	Voltage	Operating Characteristics			
		Wattage			
		90MIN.	2HR	3HR	4HR
H2E150	6	150	125	100	72
H2E200	6	200	150	125	100
H4E150	12	150	125	100	72
H4E200	12	200	150	125	100
H4E300	12	300	200	150	125
H4E400	12	400	300	200	150
H6E200	24	200	150	125	100
H6E300	24	300	200	150	125

## TUFFLITE H Ordering Guide

H2E150 — 2 — W69 — SD

### Model No. Lead Calcium Battery 90 Minute Capacity

- H2E150 6 Volt - 150 Watts
- H2E200 6 Volt - 200 Watts
- H4E150 12 Volt - 150 Watts
- H4E200 12 Volt - 200 Watts
- H4E300 12 Volt - 300 Watts
- H4E400 12 Volt - 400 Watts
- H6E200 24 Volt - 200 Watts
- H6E300 24 Volt - 300 Watts

Note: See Tufflite S Series  
For 125 Watt Models

### No. of Top Mounted Lighting Heads

- 0 No Lighting Heads
- 1 Single Lighting Head
- 2 Double Lighting Head
- 3 Triple Lighting Head
- 4 Four Heads,  
Two Top, Two Side
- 5 Five Heads  
Three Top, Two Side

### Lighting Heads

- W69** Standard unit Lamphead  
6 V 9W
- W129** Standard unit Lamphead  
12 V 9W
- W** For additional Lampheads  
refer to Lamp Selection Guide  
Data sheet 80.1
- C**
- S**
- H** Note: Total lamp wattage  
must not exceed unit 90  
minute capacity rating

### Options

- SD** Self Test / Self Diagnostic
- V** Voltmeter
- A** Ammeter
- TD** 15 Minute Time Delay  
(Specify AC Voltage)
- C** 3 Ft Conductor Cord & Plug
- MH** Metal Lampheads PAR 36  
(Type S & H Lamps only)
- WG7** Wire Guard