

TUFFLITE S 6 and 12 volt, 27-125 Watt Metal Series Emergency Light



The Tufflite S Series provides compact emergency lighting units with the ability to power remote fixture loads. The cabinet is constructed of sturdy 20 gauge steel and finished in an attractive durable white powder coat. Available with a broad range of sealed lead calcium or nickel cadmium batteries.

Features

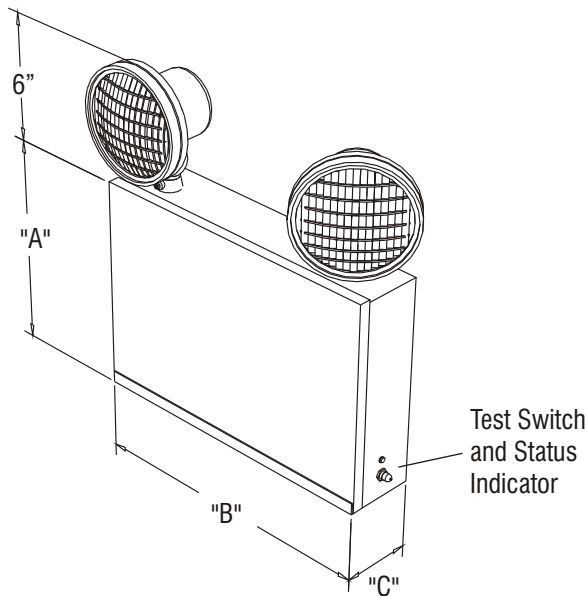
- Two fully adjustable, top mounted PAR 36 style lighting heads in high impact thermoplastic are supplied as standard. Lighting heads are available with a variety of lamp types and wattages
- Accommodates up to four lighting heads (2 top, 2 side) Standard units are supplied with two top mounted heads
- 20 gauge steel cabinet with universal knock-out mounting pattern finished in a durable white powder coat finish (other colors available to order)
- Key-hole mounting slots and conduit knockouts are provided for additional mounting possibilities
- Choice of maintenance free sealed lead calcium or nickel cadmium batteries
- Listed to UL 924
- 3 Year limited warranty

Electronics

- Premium, fully automatic current limited "Pulse Switching" charger provides ideal charge conditions for optimum battery performance and life
- Short Circuit battery protection
- Field selectable 120 or 277 VAC input
- External Momentary test switch and dual diagnostic LED indicator displays AC and Hi-Charge status
- Line-latch prevents unnecessary discharge of battery during installation, loads will not illuminate until after application of utility power
- Low voltage cut-off prevents battery damage and ensures positive charge acceptance following an extended discharge
- Brownout sensing assures emergency operation during periods of low line voltage
- Self-Test / Self-Diagnostic monitoring available



TUFFLITE S 6 and 12 volt, 27-125 Watt Metal Series Emergency Light



Dimensions			
Model	"A"	"B"	"C"
27-36 Watts	9"	10.02"	3.25"
54-125 Watts	9.5"	15.0"	4.27"

Operating Characteristics					
Model	Voltage	Wattage			
		90	2HR	3HR	4HR
S2E27	6	27	18	12	8
S2E36	6	36	27	18	12
S2E54	6	54	36	27	18
S2E72	6	72	54	36	27
S2E100	6	100	72	54	36
S4E36	12	36	27	18	12
S4E54	12	54	36	27	18
S4E72	12	72	54	36	27
S4E100	12	100	72	54	36
S4E125	12	125	100	72	54

Nicad Batteries deliver the same capacity per wattage as above for listed models

TUFFLITE S Ordering Guide

S2E27 — 2 — W69 — SD

Model No. Lead Calcium Battery 90 Minute Capacity	
S2E27	6 Volt - 27 Watts
S2E36	6 Volt - 36 Watts
S2E54	6 Volt - 54 Watts
S2E72	6 Volt - 72 Watts
S2E100	6 Volt - 100 Watts
S4E36	12 Volt - 36 Watts
S4E54	12 Volt - 54 Watts
S4E72	12 Volt - 72 Watts
S4E100	12 Volt - 100 Watts
S4E125	12 Volt - 125 Watts

Model No. Nickel Cadmium Battery 90 Minute Capacity	
S2N27	6 Volt - 27 Watts
S2N36	6 Volt - 36 Watts
S2N54	6 Volt - 54 Watts
S4N54	12 Volt - 54 Watts
S4N72	12 Volt - 72 Watts
S4N100	12 Volt - 100 Watts

Lighting Heads	
W69	Standard 6 volt unit 9 Watt Lamphead
W129	Standard 12 volt unit 9 Watt Lamphead
W	For additional Lampheads refer to Lamp Selection Guide Data sheet 80.1
C	
S	
H	
Note: Total lamp wattage must not exceed unit 90 minute capacity rating	

Options	
SD	Self-Test / Self-Diagnostic
V	Voltmeter
A	Ammeter
TD	15 Minute Time Delay (Specify AC Voltage)
C	3 Ft Conductor Cord & Plug
MH	Metal Lampheads PAR 36 (Type S & H Lamps Only)
WG6	Wire Guard

No. of Top Mounted Lighting Heads	
0	No Lighting Heads
1	Single Lighting Head
2	Double Lighting Heads
3	Three Lighting Heads