

Slimline **vandal Resistant** Self-Luminous Exit Sign SLV

Sheet 6.1



Slimline SLV comprises the durable Slimline aluminum sign encased in a rugged ABS protective enclosure. Concealed mounting hardware provides a superior vandal and tamper resistant sign, ideal for low level installation or any application where vandalism or direct impact may be a concern.

Features

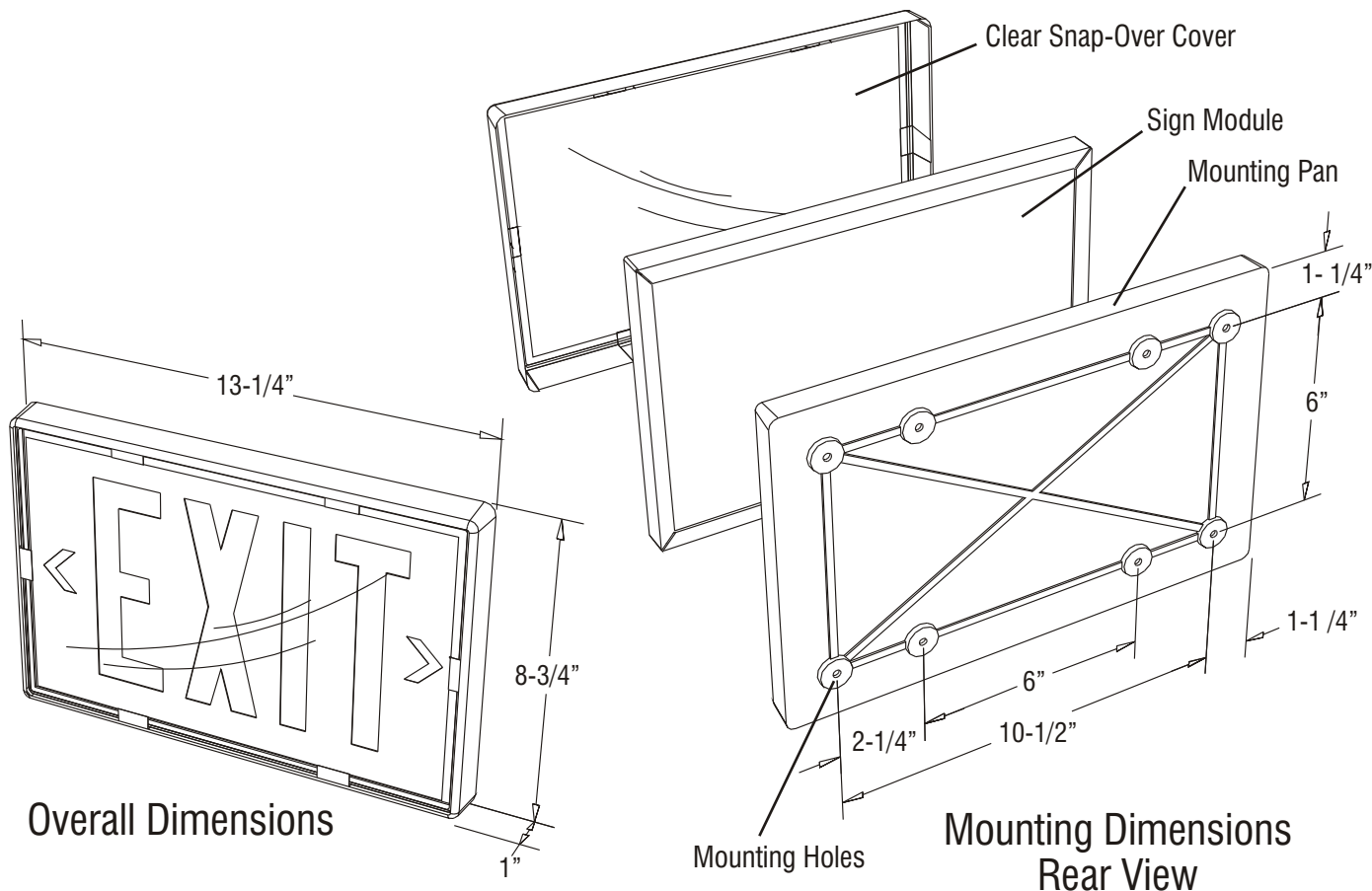
- Tamper and vandal resistant
- Suitable for low level installations
- Non-electrical, internally illuminated by sealed tritium gas light sources
- 100% reliable, maintenance free and always on. Requires no external light source, electrical power, wiring or batteries
- As there is no electrical ignition source, the Slimline is suitable for use in hazardous atmospheres, damp and wet locations. Meets NEC Article 500, Class 1, 11 and 111 conditions
- Green light output for maximum visibility in emergency conditions
- 125 foot visibility rating
- Available in service life ratings of 10, 15 or 20 years
- Tested, approved and listed by Underwriters Laboratories to UL 924
- Limited warranty for the rated life of the product

Construction

- Rugged ABS enclosure includes mounting pan with a "one time" snap-over clear cover
- Features the quality Slimline low profile aluminum sign encased in protective enclosure
- Corrosion resistant internal extruded aluminum sign with .05" minimum wall thickness
- Aluminum stencil face with field selectable chevron directional indicators
- One piece clear cover snaps over neutral gray mounting pan
- Polycarbonate shield seals lamp compartment and prismatic refractor lens
- Special Green Legend Option (GL) provides a green illuminated legend apparent in both dark and ambient lighting conditions. Available in 10 and 15 year rated signs with red, black or white background



Slimline Vandal Resistant Self-Luminous Exit Sign SLV



Slimline Vandal Resistant Ordering Guide

SLV - 10 - W - GL

Options

GL Green Letters - Available for 10 or 15 year signs
R, B or W face color

Model

Slimline **SLV**
Vandal Resistant

Service Life

10 10 Years
15 15 Years
20 20 Years

Face Color

R Red
G Green
B Black
W White*

*White Face, **only** for use with option GL

Project Name:	Approved By:
Catalog No:	Type No: