

Markerlite ML - Self-Luminous Markers



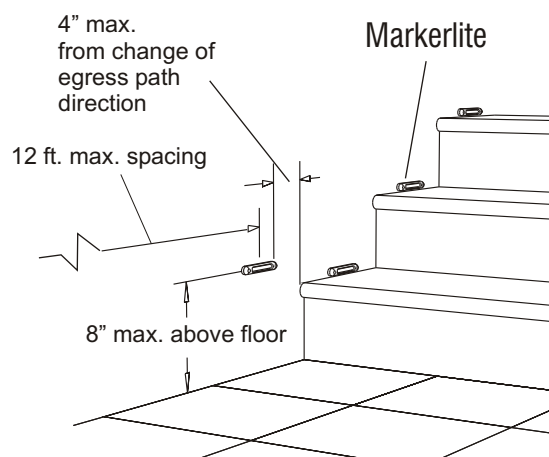
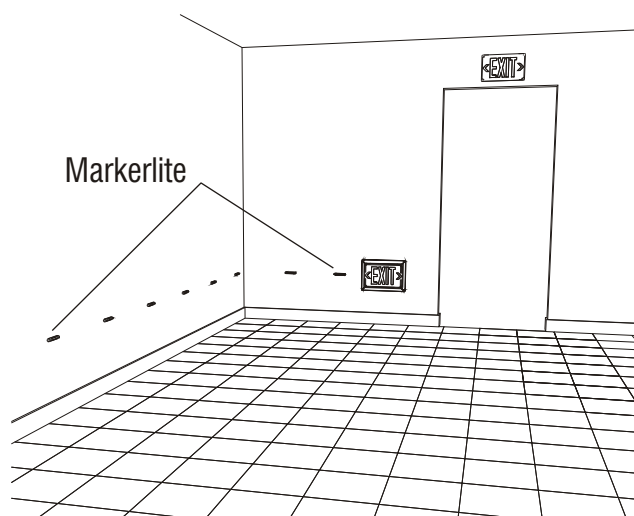
Markerlites are the ideal solution for theaters, auditoriums, stairways or any path marking applications. Non Electrical, the marker lite is internally illuminated by a sealed tritium light source rated to 20 Years useful life without the need for maintenance.

Features

- Non-electrical sustained tritium light source
- Requires no external light source, electrical power, wiring or batteries
- 100% reliable, maintenance free and always on
- 520 nm Green light output for maximum visibility in darkened conditions
- 500 micro lamberts minimum initial light output
Visible up to 100 feet in darkness
- 20 year service life rating
- Available in surface mount and recessed versions
- As there is no electrical ignition source, the Markerlite is suitable for use in hazardous atmospheres, damp and wet locations. Meets NEC Article 500, Class 1, 11, and 111 conditions
- Licensed under state and federal regulations for distribution to General Licensees

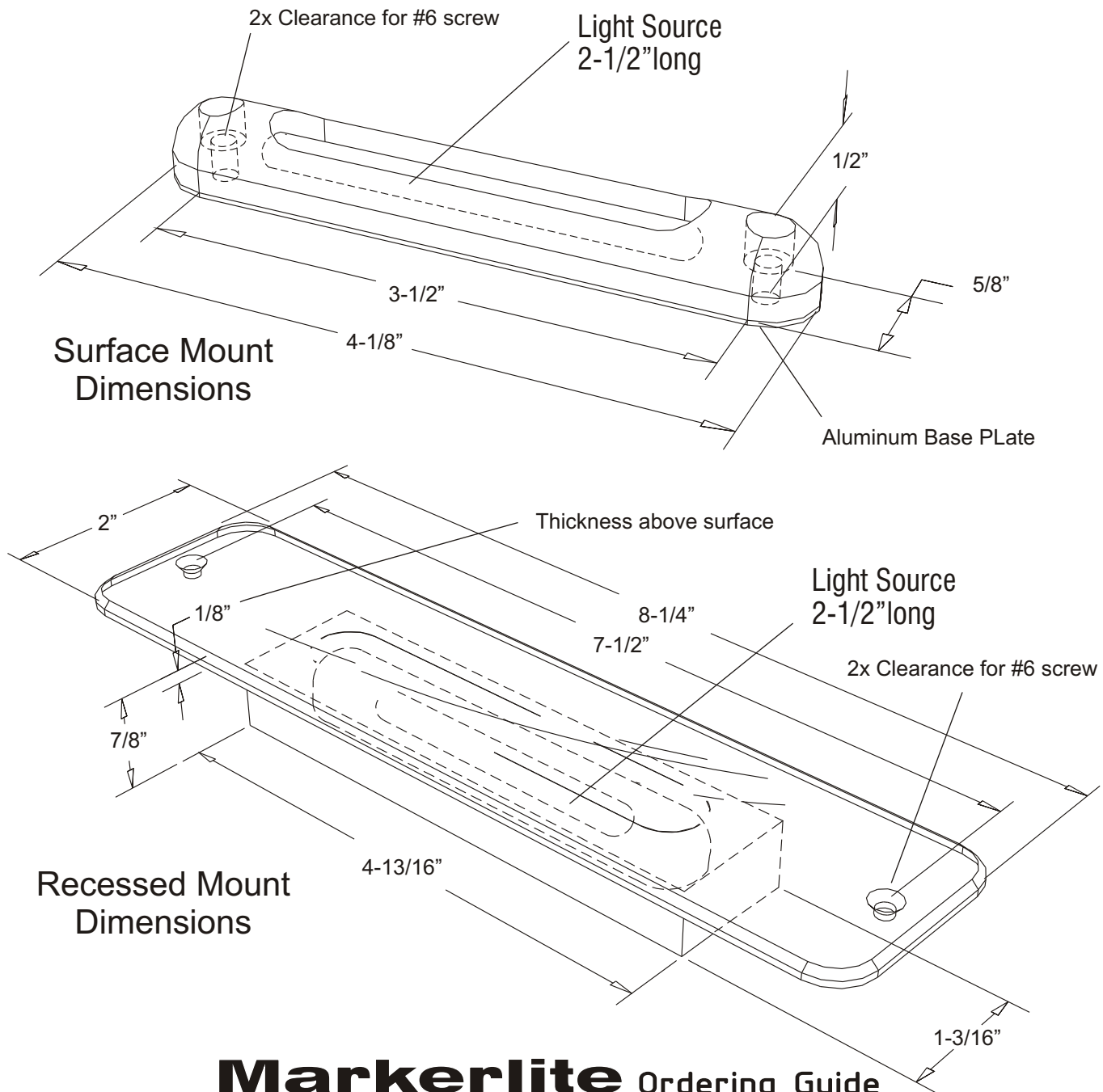
Construction

- Rugged High Impact, heavy wall clear polycarbonate injection molded housing, with Hardcoat scratch resistant finish
- Easy to install via two fixing points. Use of tamper resistant screws is recommended to prevent unauthorized removal
- Recessed model available
- Sealed tritium glass tube is permanently encased within unbreakable polycarbonate housing
- Limited warranty for the rated 20 year service life



Typical Installations

Markerlite ML - Self-Luminous Markers



Markerlite Ordering Guide

To Order - Specify:

ML 20 - Markerlite Surface Mounted

MLR20 - Markerlite Recessed



3161 State Road
 Bensalem, PA 19020
 Tel: (800)872 0879
 Fax: (215)244 4208
 www.evenlite.com 09/07

Fixture Schedule

Project Name:	Approved By:
Catalog No:	Type No: