

Lifeline

Self-Luminous Exit Signs LEX Series

Installation Instructions

SAVE THESE INSTRUCTIONS

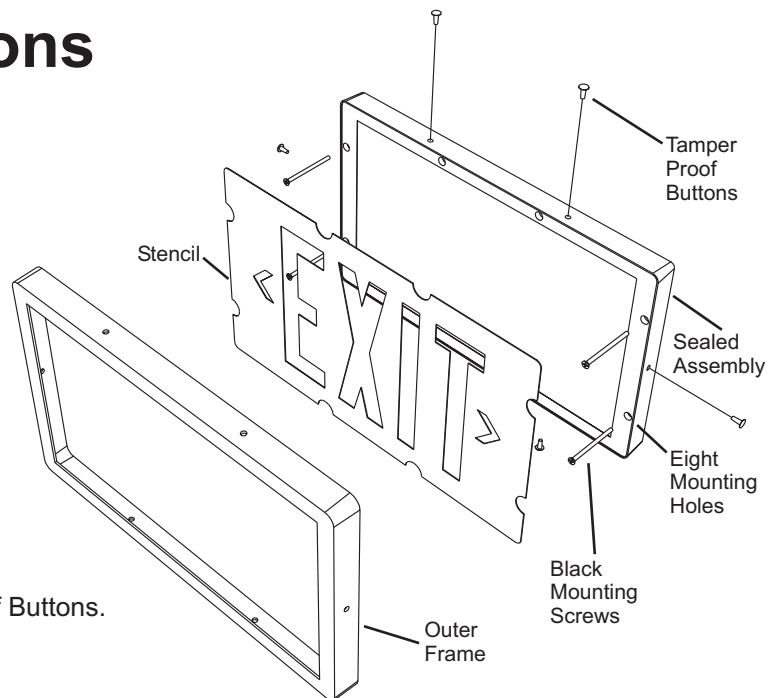
Flush to wall, single face mounting

The Sealed Assembly has eight (8) mounting holes which are covered by the Outer Frame.

Remove Outer Frame from Sealed Assembly, select the mounting holes which best suit your application, and fasten to wall using black drywall screws provided.

Punch out appropriate chevron(s) from Stencil.

Replace Outer Frame and insert six (6) Tamper Proof Buttons.



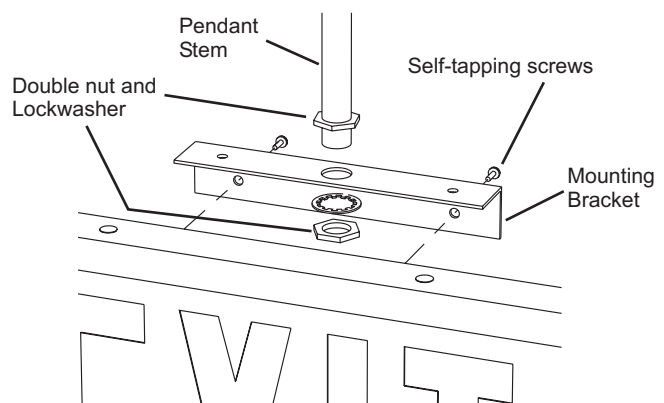
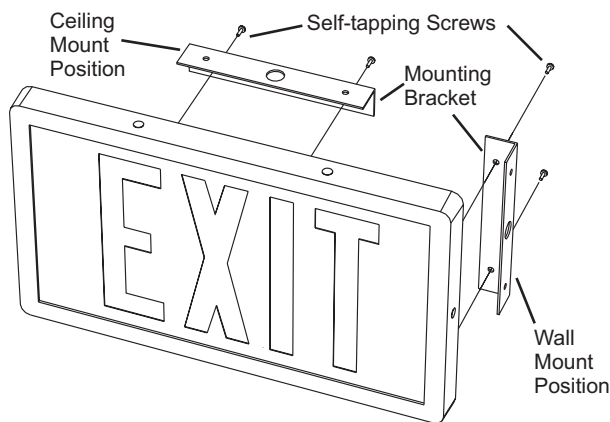
End, ceiling or pendant, single face mounting

The Mounting Bracket provided can be used in several optional positions to allow mounting of the Sealed Assembly from either end, (to stand off the wall), or top, (ceiling mount hanging down), or attached to a Pendant.

For end or ceiling mount, securely fasten Mounting Bracket to wall or ceiling, with the orientation as shown, using appropriate fasteners or black drywall screws provided. Fasten Sealed Assembly to Mounting Bracket using two (2) 3/4" self-tapping screws provided.

For pendant mount, first attach Pendant Stem to Mounting Bracket with double nuts and lockwasher as shown. Fasten Sealed Assembly to Mounting Bracket using two (2) 3/4" self-tapping screws provided.

Punch out appropriate chevron(s) from Stencil. Replace Outer Frame and insert six (6) Tamper Proof Buttons.



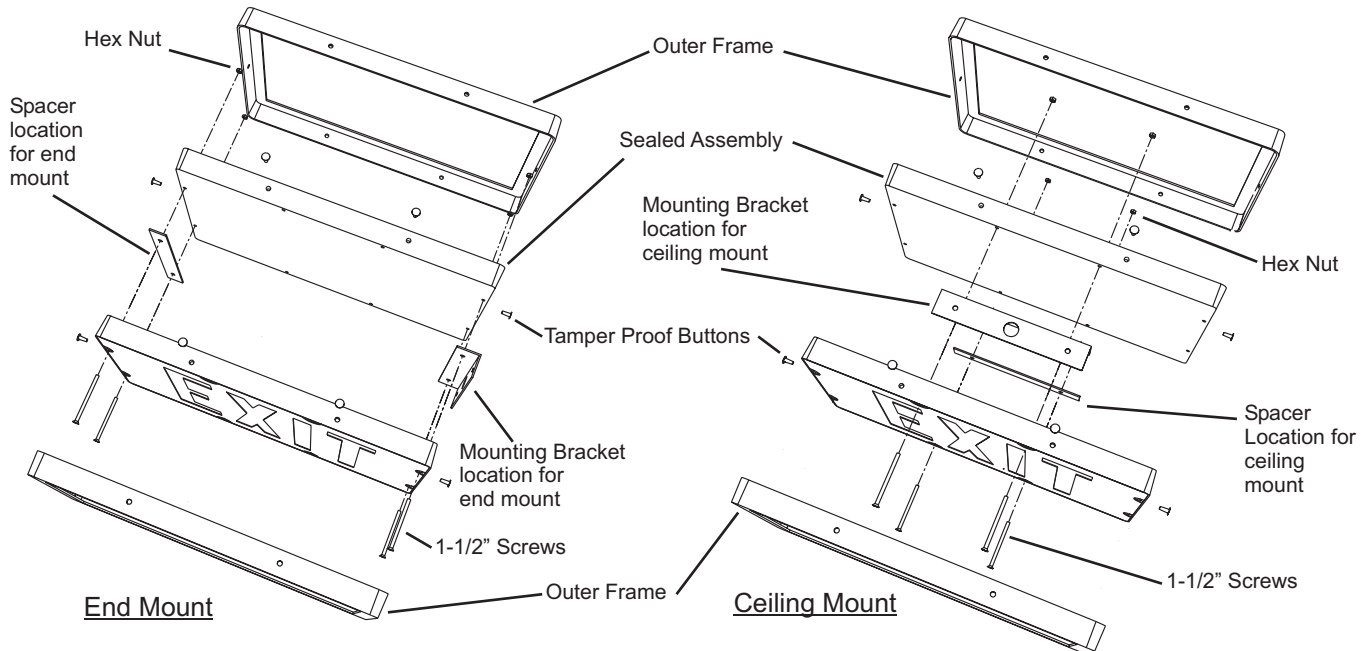
End, ceiling or pendant, double face mounting

For end or ceiling mount, securely fasten Mounting Bracket to wall or ceiling, with orientation as shown, using appropriate fasteners or 3/4" self-tapping screws provided.

Remove Outer Frames from both Sealed Assemblies. Locate Spacer Plate opposite desired position of Mounting Bracket. Fasten Sealed Assemblies together, back-to-back, through Spacer Plate with two (2) of the four (4) 1-1/2" screws and hex nuts provided.

Insert previously secured Mounting Bracket between Sealed Assemblies, and fasten with remaining two (2) 1-1/2" screws and hex nuts. Check for squareness to wall or ceiling before tightening.

Punch out appropriate chevrons from Stencils. Replace Outer Frames and insert twelve (12) Tamper Proof Buttons.



For pendant mount, assemble as above, except secure pendant stem to Mounting Bracket, using double nut and lockwasher as shown, before fastening Mounting Bracket to Sealed Assemblies.

