



SOVEREIGN SOV SERIES

DIE CAST ALUMINUM LED EDGELIT EXIT SIGNS

INSTALLATION AND OPERATING INSTRUCTIONS

IMPORTANT SAFEGUARDS

When using electrical equipment, basic safety precautions should always be followed including the following:

READ AND FOLLOW ALL SAFETY INSTRUCTIONS

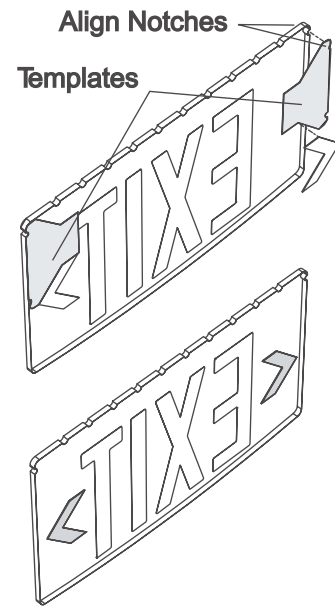
- 1. Do not use outdoors.**
- 2. Do not mount near gas or electric heaters.**
- 3. Equipment should be mounted in locations and at heights where it will not readily be subject to tampering by unauthorized personnel.**
- 4. The use of accessory equipment not recommended by the manufacturer may cause an unsafe condition.**
- 5. Do not use this equipment for other than intended use.**
- 6. Supply connections must be made either inside the junction box for surface mount or the splice box in the recessed mount backbox.**
- 7. Install using recommended junction box only.**
- 8. Servicing of this equipment should be performed by qualified service personnel.**

SAVE THESE INSTRUCTIONS

3161 State Road • Bensalem □ PA 19020 U□S□A
Telephone: (215) 244-4204 □ Fax: (215) 244-4208

DIRECTIONAL INDICATORS

Directional Indicators (Chevrons) are supplied with some signs as requested and are to be affixed at installation, using templates provided. Determine where the Directional Indicator(s) are to be placed in the installation, taking note as to how the fixture will be mounted and in which direction the chevrons are to point. The templates are to be temporarily adhered to the back (printed) side of the Legend Panel on single face signs, with the white tacky surface in contact, as shown on the attached diagram. Remove backing from Directional Indicator and adhere to the back (printed) side of the Legend Panel in the location determined by the template. For White, Mirrored or Double Face panels, adhere chevrons to front face. Ensure that the surface is clean, air bubbles are removed and good contact is achieved.



RECESSED CEILING MOUNT

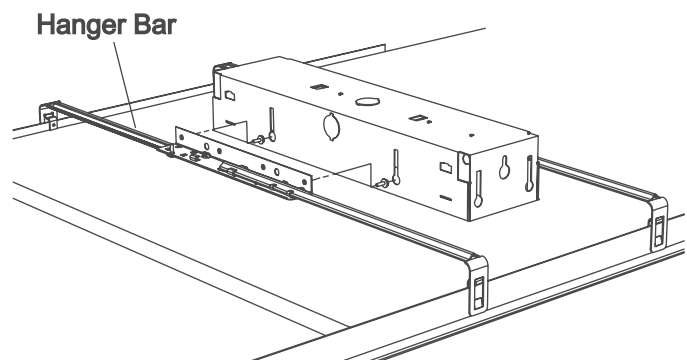
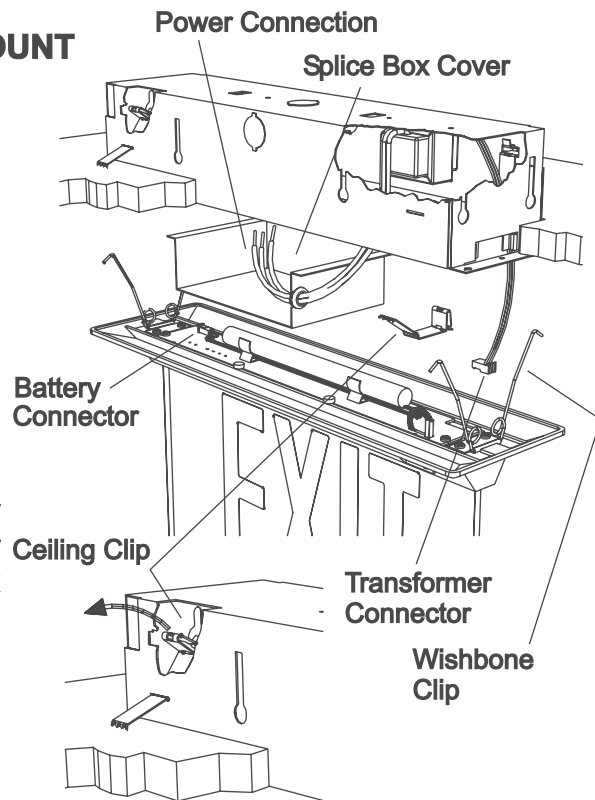
INSTALLATION OF ROUGH-IN SECTION

Hanger bars are adjustable from 13 1/4" to 22" and may be mounted on either the long sides or the ends of the Back Box. Attach with #8 screws from inside, through slots and into hanger bar holder. Remove Splice Box Cover, select and remove desired knockout for AC power input. Refer to wiring instructions below.

Cut 3 5/8" x 14 1/2" hole in ceiling. Position Back Box with open edges flush with outer surface of ceiling. Fasten hanger bar assembly to either ends or sides of Back Box by tightening four mounting screws into hanger bar holder.

WOOD JOISTS - Adjust hanger bars to fit against joists. Drive nails into wood.

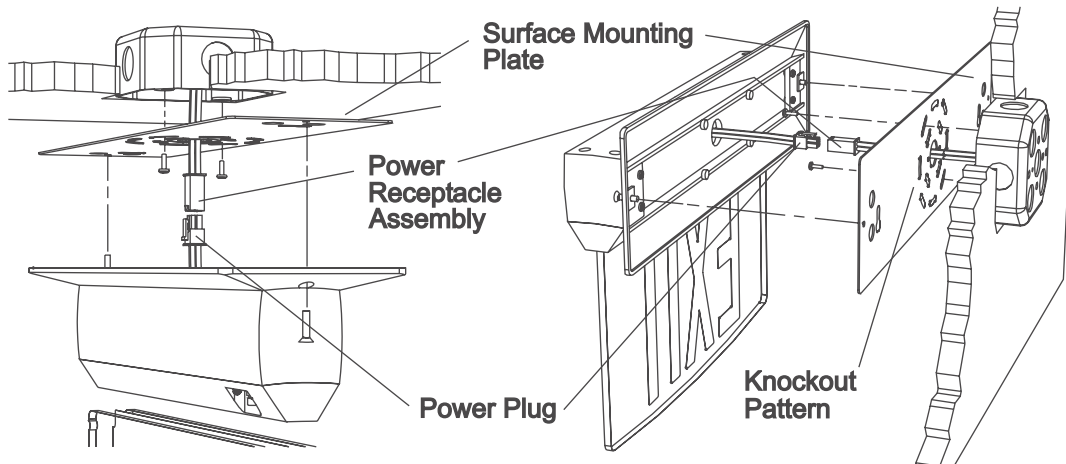
SUSPENDED CEILING - Snap ends of hanger bars over T-bar rails and fasten with screw. To secure Back Box to ceiling material, insert four ceiling clips into slots provided in sides of Back Box.



INSTALLATION OF FIXTURE INTO ROUGH-IN SECTION

Position fixture with desired orientation. Squeeze spring wires of one "Wishbone" clip and insert into formed legs at one end of Back Box. For Battery Back-up (Self Powered) sign, plug battery connector and transformer connector into plugs on Printed Circuit Board. Attach Power Plug into power receptacle assembly wired as per wiring instructions below. Insert second "Wishbone" clip into remaining formed legs in Back Box and push fixture flush with ceiling.

SURFACE CEILING / WALL MOUNT



INSTALLATION OF SURFACE MOUNTING PLATE

Wire power receptacle assembly to AC supply as per wiring instructions below. Remove two keyhole knockouts from Surface Mounting Plate. Locate, align and mount Surface Mounting Plate to junction box and secure to wall with screws through keyhole slots into suitable wall fastening devices.

INSTALLATION OF FIXTURE TO SURFACE MOUNTING PLATE

Attach Power Plug to receptacle and push back into fixture. Fasten fixture to surface mounting plate with a screws supplied.

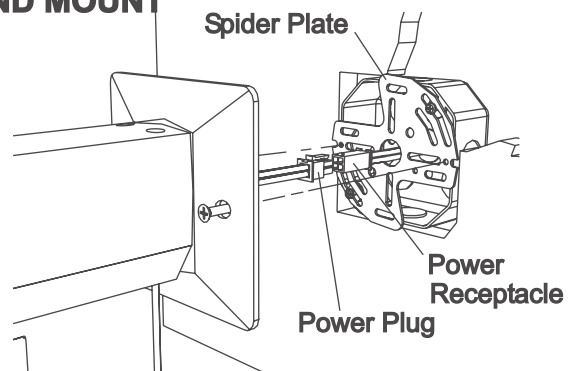
SURFACE END MOUNT

INSTALLATION OF JUNCTION BOX and SPIDER PLATE

Surface End Mount requires a 4" Octagon Junction Box to be securely mounted in the wall. The box should be rigidly supported to the wall framework with either brackets or studs. Wire power receptacle assembly to AC supply as per wiring instructions below. Securely fasten spider plate to junction box with the two 8-32 tapped holes parallel to the floor.

INSTALLATION OF FIXTURE TO SPIDER PLATE

Attach Power Plug to power receptacle and push back into fixture. Fasten fixture to spider plate with countersunk screws supplied.



WIRING

Connect Power Receptacle to AC supply per local codes.

Black Lead for 120V or Orange Lead for 277V CAP UNUSED LEAD

White Lead for Neutral

Green/Yellow Lead for Ground

TWO CIRCUIT INPUT OPTION (AC VERSIONS ONLY)

For AC versions with two circuit input, connect supplied power cables to both the **main** input and **backup** input. Note that both the main and backup voltages can be either 120V or 277V. They do not have to be the same voltage. Connect to the **Black** lead for 120V or **Orange** lead for 277V , and **White** lead for Neutral.

MASTER/REMOTE WIRING

Red and White wires, mounted on the PCB assembly are to be connected to those in the Remote sign. Interconnect the Master and Remote with a 2 conductor cable (22 AWG minimum) per the National Electric Code, observing correct polarity. Distance of run should be 50 feet or less. Evenlite recommends recognized cable suitable for alarm systems or thermostat controls.

REAPPLY POWER AND NOTIFY THE AUTHORITY HAVING JURISDICTION

DIAGNOSTICS

Self Powered (EM) versions are equipped with built-in battery diagnostics which indicates, via flashing of the indicator light, that the battery needs replacement. If flashing occurs after a new installation, check that the battery plug is properly inserted into the circuit board connector.

TEST - SELF POWERED VERSIONS

To test Self Powered (EM) versions, use test switch to simulate AC power outage. The indicator light will go out, and the sign will remain lit, indicating transfer to emergency mode; and remain lit on battery power until switch is released. Release of switch will automatically restore AC/battery charge mode, with indicator light on. Testing for longer periods is best accomplished by turning off AC circuit power to the unit. Signs should be tested in accordance with National Electric Code and NFPA 101 Life Safety Code requirements. Evenlite recommends monthly testing for 30 seconds and yearly testing for 90 minutes. Note that the batteries will take some time to reach full charge after a prolonged test, and that the unit cannot provide full duration operation should a real power outage occur before the batteries have had an opportunity to reach full charge. Evenlite recommends that long duration tests be limited to once yearly, and be timed when the area will be unoccupied afterwards.

BATTERY REPLACEMENT

To replace battery, disconnect branch circuit and remove Legend Holder Assembly from either Back box or Legend Cap. Unplug battery connector from Printed Circuit assembly. Replace battery only with Evenlite part B310011.

This product contains Ni-Cd batteries. Used Ni-Cd batteries may not be disposed of in the municipal solid waste stream. Ni-Cd batteries must be recycled or disposed of properly. For information on local recycling drop off points, phone toll free 1-800-BATTERY.