

PROJECT NAME:	APPROVED BY:
CATALOG NO:	TYPE NO:

APERION - Adjustable LED

Now available with high performance LEDs in a compact concealed emergency light. Uniquely adjustable LED lamps independently project elliptical beam patterns providing optimal light distribution and uniformity along the path of egress.

Long life, high output, solid state LEDs together with the included Self-Test/ Self-Diagnostics ensures maintenance free reliability.



Installed View (Normal Mode)

Construction

- Quality die cast aluminum frame and door, finished in durable textured white powder coat. Can be field painted or wall papered to further blend with the architecture.
- Unique non-contact magnetic door positioning ensures accurate and reliable opening and closing
- Rotating door is just 4" square
- Soft-close door prevents lamp movement due to slamming
- Patented unidirectional deflecting drive band operation provides limited mechanical movement ensuring trouble free operation
- Universal wall or ceiling mount, compact 3" deep, 20 ga., steel recessed housing. Type IC listed, ideal for wall and plenum applications.
- Newly designed mounting hardware provides full adjustability and ease of installation in all mounting applications
- Self-adjusting frame trim and door assembly are spring latched with no unsightly external hardware
- Can be mounted up to 47 feet high
- Modular assembly and quick connector wiring provide for fast installation and ease of maintenance

Electrical

- Environmentally friendly, maintenance free Nickel Metal Hydride batteries provides standard 2 hour run time
- Solid state microprocessor controlled circuitry includes line latch, battery low voltage cut-off and brownout protection
- Self-Test/ Self-Diagnostics are standard and ensure reliability and code conformance
- Optional hand-held remote transmitter with selectable 30 second or 90-minute discharge testing up to 50' away.
- Field selectable 120 or 277 VAC 60 Hz input (consult factory for other input voltages)
- Options include: 15 minute time delay, Chicago Plenum approval, and Defeat monthly Self-Test



Installed View (Emergency Mode)



TLRT - Infrared Remote Testing Transmitter

Illumination

- Two 4.5W white LED lamps provide a total of 814 lumens.
- LED lamps provide adjustable beam pattern to illuminate path of egress up to 101 ft spacing on center-ceiling mount; 93 ft spacing on center – wall mount.

Certification

- Damp location listed as standard for 10° C to 40° C
- CSA Canadian Listed to CSA 22.2 No. 141-10
- New York City Approved Calendar #48850
- Tested, approved and listed by Underwriters Laboratories Inc. to UL 924, meets NFPA 101 Life Safety Code, NFPA 70-NEC and OSHA Requirements
- California Energy Commission (CEC) Title 20 Compliant



Warranty

- 5 Year Limited Warranty – View complete warranty terms online at www.evenlite.com/warranty/terms.pdf

ORDERING GUIDE – APAL

Example: APAL-WH-UI

Model	Housing Color	Mounting	Options
APAL Aperion Adjustable LED Retractable Recessed Emergency Light	WH White BK Black CC Custom Color	UI Backbox and Fixture shipped complete UP Back box pre-shipped	CP Chicago Plenum Listed DD Defeat Monthly Self Test TD 15 minute Retransfer Delay TLRT Infrared Remote Testing Transmitter (order separately, typically only 1 or 2 are required per site)
APAL			

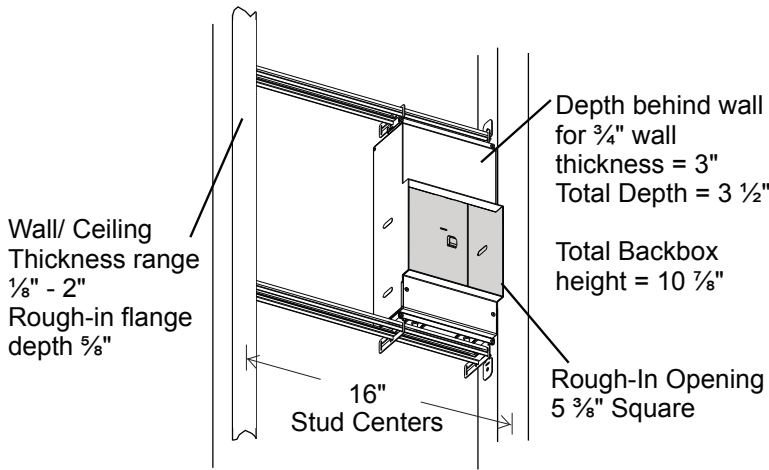
Fill in fields from categories above and complete type and part number.

Type Number:

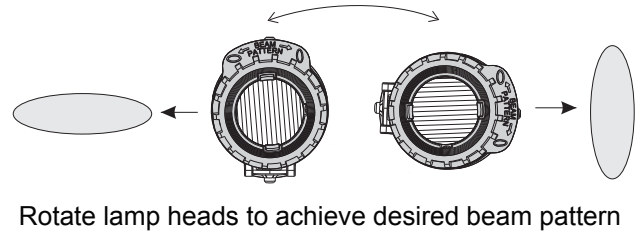
Full Part Number:

Aperion Adjustable LED Recessed Emergency Light

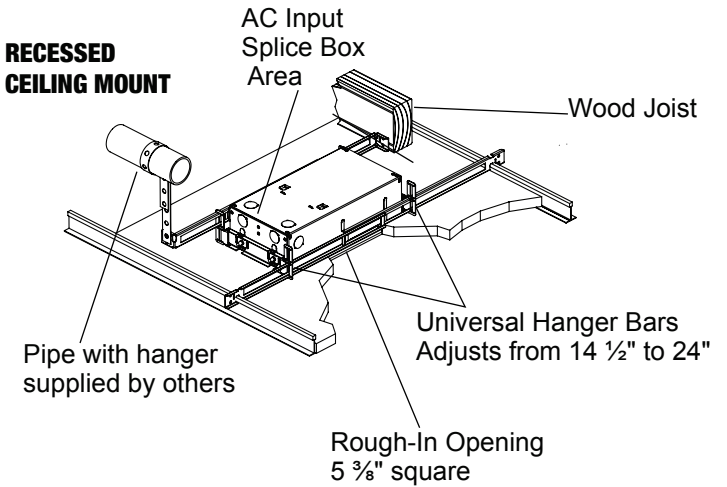
RECESSED WALL MOUNT



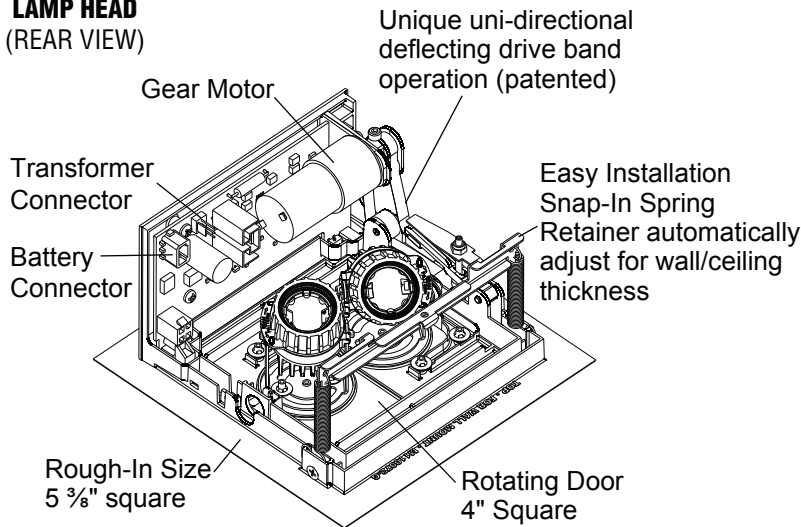
LAMP HEAD ASSEMBLY



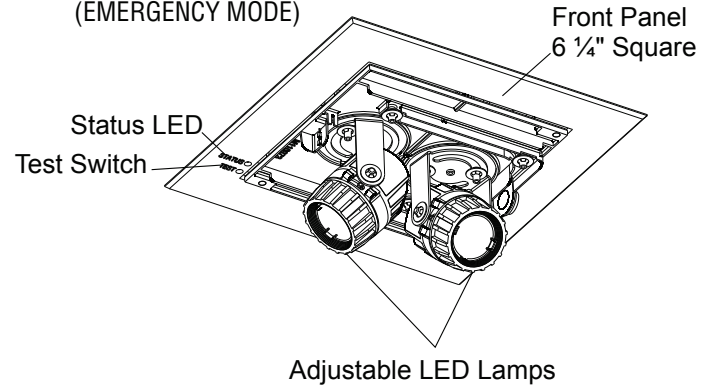
RECESSED CEILING MOUNT



LAMP HEAD (REAR VIEW)



INSTALLED VIEW (EMERGENCY MODE)



RECOMMENDED CENTER TO CENTER UNIT SPACING

Ceiling Mount		
Ceiling Height	Vert. Aiming Angle (Deg)	Unit Spacing (Multiple Units)
8	65	101
9	61	101
10	56	100
12	49	98
14	43	95

Wall Mount (Angle away from wall – 2 degrees)			
Ceiling Height	Unit/Lamp Height	Vert. Aiming Angle (Deg)	Unit Spacing (Multiple Units)
9	7	67	93
10	8	62	93
12	10	54	93
14	12	46	91
16	14	40	89

Recommended spacings based on requirements for meeting the Life Safety Standard minimum illuminance of 0.1fc and average illuminance of 1.0fc. Assumes that the fixture is mounted in an open room 200 ft wide by 200 ft long with reflectance of 80/50/20 over 4 ft path of egress