

TUFFLITE DTHL – Nema 12 Industrial Emergency Light

12 Volt • 60–140 Watt

Tufflite “DTHL” Industrial NEMA emergency lighting units are designed for use in hostile indoor applications.

The rugged 16 gauge gasketed steel enclosure meets the requirements of NEMA 12 providing protection for the enclosed equipment against dust, dirt, fibers and dripping water.

Construction

- Rugged 16 gauge steel housing with full welded corners, finished in durable grey powder coat
- Fully gasketed to meet the requirements of NEMA 12 applications
- Piano hinged front access door for ease of maintenance access with stainless steel latch hardware
- External 4 hole mounting provision provides ease of installation with minimal cabinet intrusion
- Two fully adjustable top mounted LED lampheads in black corrosion resistant die cast aluminum housings
- Clear acrylic impact resistant lens protects led's, resists yellowing

Electrical

- Choice of maintenance free sealed Lead Calcium or Nickel Cadmium batteries
- Premium, fully automatic current limited “Pulse Switching” charger provides ideal charge conditions for optimum battery performance and life
- Short Circuit battery protection
- Field selectable 120 or 277 VAC input
- Sealed external Momentary test switch and dual diagnostic LED indicator displays AC and Hi-Charge status
- Brownout sensing assures emergency operation during periods of low line voltage
- Line-latch prevents unnecessary discharge of battery during installation, loads will not illuminate until after application of utility power
- Low voltage cut-off prevents battery damage and ensures positive charge acceptance following an extended discharge
- Self-Test / Self-Diagnostic monitoring available



Illumination

- 16 LED's per lamphead provide 2328 Lumens per head
- 6500K color temperature
- Parallel wired LED's for reliability
- Lampheads are 12 or 24V 27 watts per head

Certification

- Listed to UL 924, meets NFPA 101 Life Safety Code, NFPA 70-NEC and OSHA requirements



Warranty

- Three Year limited warranty

ORDERING GUIDE – DTHL

Example: DTHL4E60-2-LED-SD

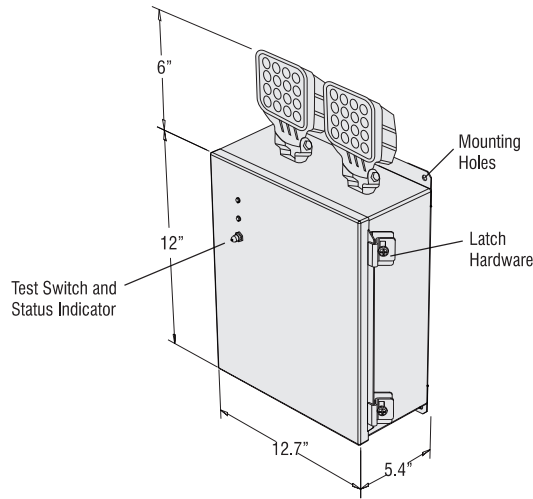
Model	Model	Lighting Heads	Options
Lead Calcium Battery 90 Minute Capacity DTHL4E60 12 Volt – 60 Watts DTHL4E72 12 Volt – 72 Watts DTHL4E120 12 Volt – 120 Watts DTHL4E140 12 Volt – 140 Watts	Nickel Cadmium Battery 90 Minute Capacity DTHL4N90 12 Volt – 90 Watts DTHL4N130 12 Volt – 130 Watts DTHL6N100 24 Volt – 100 Watts	2LED 12V 27 Watts Each <i>Note: Total lamp wattage must not exceed unit 90 minute capacity rating</i>	SD Self Test / Self Diagnostic (em models only) V Voltmeter A Ammeter H Internal Heater (Specify AC Voltage) TD 15 Minute Time Delay (Specify AC Voltage) TP Tamper Proof Screws
DTHL			

Fill in fields from categories above and complete type and part number.

Type Number:

Full Part Number:

Tufflite DTHL – Nema 12 Industrial Emergency Light



Operating Characteristics

Model	Voltage	Wattage			
		90 min	2 hrs	3 hrs	4 hrs
DTHL4E60	12	60	45	30	22
DTHL4E72	12	72	54	36	27
DTHL4N90	12	90	60	45	30
DTHL4E120	12	120	90	60	45
DTHL4N130	12	130	97	65	48
DTHL4E140	12	140	105	70	52
DTHL6N100	24	100	75	50	25

NiCad Batteries deliver the same capacity per wattage as above for listed models

Mounting Height [FT]	Orient [°]	Tilt [°]	Spacing (Center to Center) [FT]	Minimum [Fc]	Average [Fc]	Uniformity
10	90	77	200	0.13	1.02	31.38
15	90	70	200	0.12	1.00	31.33
20	90	63	194	0.10	1.03	38.00
25	90	57	186	0.10	1.03	36.60

- Industrial Environment:**
1. Reflectances of 10/10/10 (Ceiling/Wall/Floor)
 2. Room Dimension of 200 ft x 200 ft x 30 ft (Length x Width x Height)
 3. The ceiling and all walls (except mounting wall) were excluded
 4. 6 ft wide illumination path of egress
 5. Illumination as per NFPA101: Average of 1.0Fc, Minimum of 0.1Fc, Uniformity of 40:1

