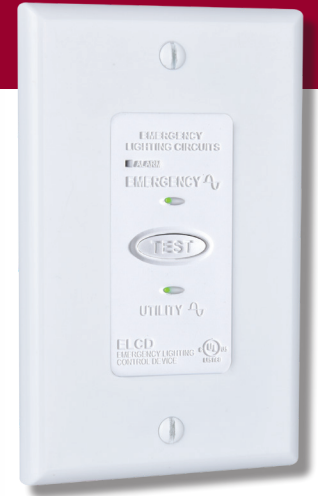


PROJECT NAME:	APPROVED BY:
CATALOG NO:	TYPE NO:

ELCD 924

Evenlite's emergency lighting control device ELCD 924 is particularly suited for use with our central inverters and can turn any lighting fixture into a life-saving emergency egress light source. Fully compliant with the latest 2017 version of the National Electric Code Article 700, the ELCD 924 provides a cost effective, yet specification-grade solution to solving your emergency lighting requirements. Advanced materials and technology with handy breakaway tabs allow for a variety of installation options. Best yet, our factory-calibrated, zero-crossing switching reduces relay arcing and inrush current which results in increased life and reliability.

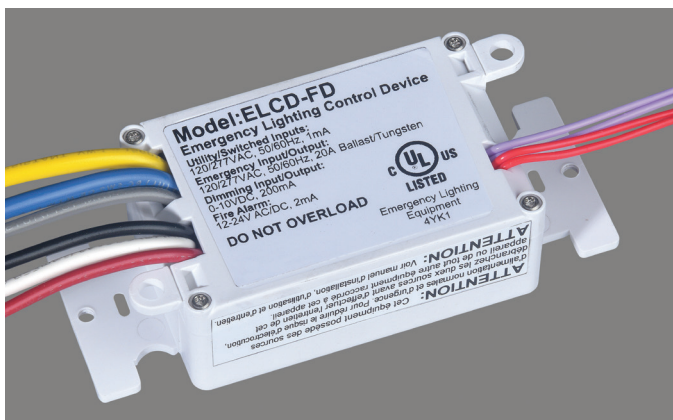


Construction

- Flame retardant UL 94 5VA injection molded housing
- Breakaway tabs allow multiple mounting configurations
- Pre-tinned UL 1015 wire rated at 600V, 105°C

Electrical

- Lowest standby power consumption in the industry – less than 0.25W@120VAC
- Factory calibrated, zero-crossing switching reduces relay arcing and inrush current, prolonging life and increasing reliability
- Highest temperature grade 105°C and longest life, aluminum polymer capacitors ensure product longevity
- Significantly reduces power consumption when used in conjunction with lighting control systems such as photocells, time clocks and occupancy sensors
- 120 – 277 VAC universal input/output voltage
- Fire alarm interface 12-24V AC/DC
- Dimming control interface 0-10V/DALI
- Relay contact rated for 277V/50A minimizes power losses and provides full 20A switching capability for LED, tungsten and ballast loads
- Field-selectable, pre-programmed time intervals provide flexibility for five different diagnostic times during testing and return of normal power



Mechanical

- Size: 1.73"W x 1.28"D x 2.72"H
- Weight: 4.5 oz.
- Color: RAL 9003 Signal White (matching single wall plate provided)
- Indicator LED's: EMERGENCY(Green), UTILITY(Green), ALARM(Red)
- User Controls: Test button
- Mounting: Wall, surface, ceiling or fixture mount with breakaway tabs for mounting configurations
- Environment: 0-50°C

Compliance

- UL listed to UL 924 standard for life safety emergency lighting and power equipment
- cUL listed to CSA C22.2 No. 141-10 emergency lighting equipment
- NEMA-410 performance tested for lighting controls and switching devices
- IEC 61000-4-5 surge test, IEC 61000-4-12 ring wave immunity test
- Satisfies requirements of the National Electric Code (NFPA70) Article 700
- UL 2043 - suitable for plenum installation



Warranty

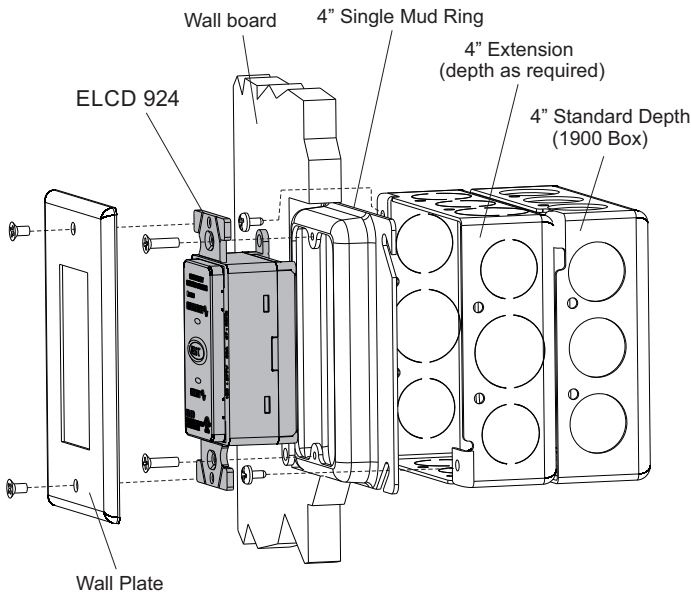
- Five-year limited warranty

ORDERING GUIDE

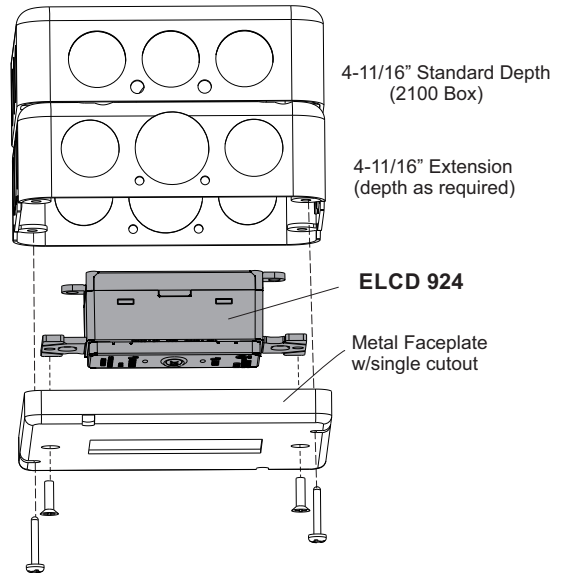
Model	Operation
ELCD	No dimming or fire alarm
ELCD-F	Fire alarm interface
ELCD-FD	Dimming and fire alarm interface

ELCD 924

STANDARD MOUNTING METHODS FOR THE ELCD 924

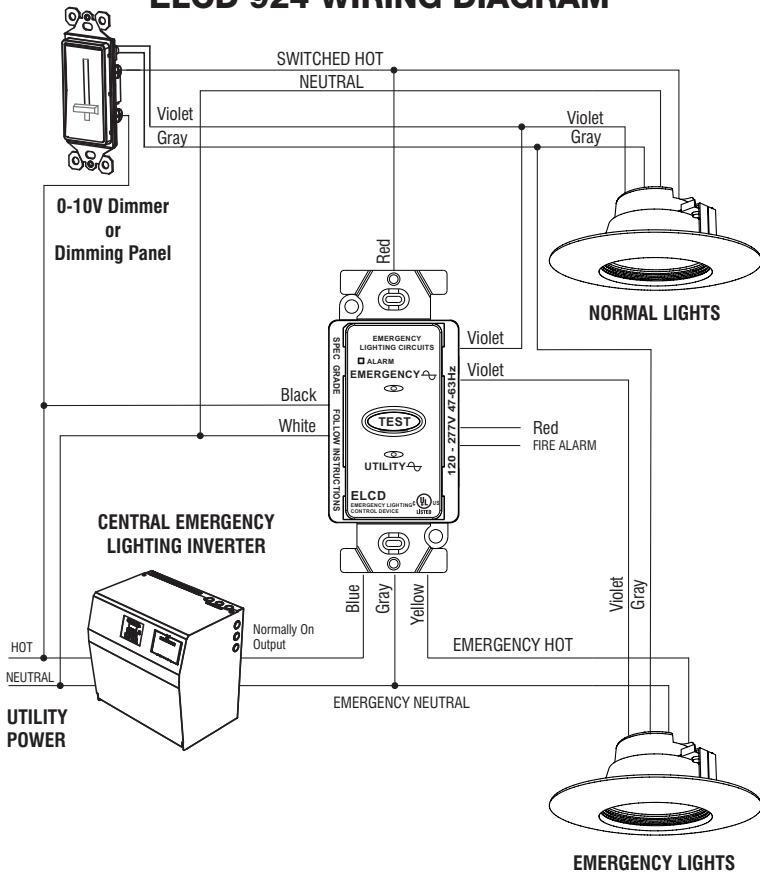


Standard Wall Construction



Standard Ceiling or Overhead Installation

ELCD 924 WIRING DIAGRAM



Operation:

Emergency lights and normal lights can be turned On/Off with the red (switched) line provided the black (utility sense) line is present.

When the ELCD senses that utility power is lost, it will automatically connect the inverters normally on output to the emergency lights regardless of the switched input state. The emergency light's power always comes from the central lighting inverter by means of the ELCD's relay closure between the yellow and blue wires.

The ELCD features a standard two-second "off-delay" to aid in visual inspection of the emergency lights. This feature operates such that when the room/zone light switch turns off, the connected emergency lights remain on two seconds longer. This delay allows for visual confirmation that the transfer switch is operational¹. Observing this "off-delay" function eliminates manual monthly testing and allows the location of the ELCD to not be immediately accessible. This time delay feature can be field modified via use of the test button – see Installation/Operation Manual for further information.

¹This does not eliminate necessary monthly testing for the emergency power source per NFPA101.