



PROJECT NAME:	APPROVED BY:
CATALOG NO:	TYPE NO:

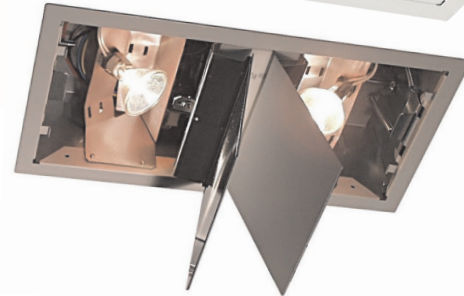
# MIRRORLITE - Architectural Recessed Emergency Light

## OUT OF SIGHT UNTIL YOU NEED IT

Recently updated and dramatically enhanced, Mirrorlite offers performance and features that shine out – right when you need them. Mirrorlite SD is a unique recessed emergency light that hides away during normal lighting conditions. Upon the loss of AC power the Mirrorlite doors open and illuminate your exit path by projecting high-powered MR16 Halogen light. Upon restoration of AC power the Mirrorlite doors quietly close to the concealed position. Mirrorlite is ideal for all internal applications where a quality architectural appearance is preferred.



Unit blends with wall or ceiling



Emergency mode

## Construction

- Continuous cam, precision motor drive. No gears, cogs, limit switches or sensitive solenoid settings to jam or seize
- Doors are factory set for optimum performance but can be individually field adjusted to suit any application
- Finished in durable light textured off-white powder coat which can be wall papered or field painted. Custom finishes available to order
- Soft-close doors prevent early lamp failure due to door slamming
- Suitable for mounting heights up to 50', dependent upon lamp wattage selected
- Fully automatic operation suitable for wall or ceiling mount installation
- Compact, one-size recessed housing is provided with fully adjustable mounting hardware to suit virtually all mounting applications
- Self-adjusting frame trim and door assembly with no external mounting hardware
- Modular assembly and quick connector wiring provides for fast installation and ease of maintenance

## Electrical

- Solid state microprocessor controlled circuitry includes line latch, brown out and battery LVCO
- Extended run times or remote capacity available
- Computerized electronic circuitry with self-test and self-diagnostics included as standard in all units
- Field selectable 120 or 277 VAC 60 Hz input. Consult factory for other input voltages
- Automatic, discreet monthly self-testing. Self-diagnostics monitors lamp load, transfer circuit, battery capacity, door operation and motor drive

- Soft-start lamp circuit ensuring extended lamp life
- Choice of Lead Calcium or Nickel Cadmium batteries in unit capacities up to 150 watts

## Illumination

- MR16 long life halogen lamps available up to 75 watts each
- Up to 150' (spacing dependent upon lamp selected and field conditions)
- Four selectable lamp positions for each lamp takes the guess work out of lamp aiming and assures optimum light distribution
- New optics optimize light pattern to improve uniformity and spacing

## Certification

- Approved for use in New York City Calendar # 48849
- tested, approved and listed by Underwriters Laboratories Inc. to UL 924, meets NFPA 101 Life Safety Code, NFPA 70-NEC and OSHA requirements
- Optional infrared remote transmitter with selectable 30 second or 90 minute duration tests



## Warranty

- 3 year limited warranty

## ORDERING GUIDE - MIR-SD

Example: MIR-SD-50-LC-2H-UI-RI

Model	Lamp Watts	Unit Capacity	Battery Type	Standard Run Time Per Unit Capacity	Optional Run Time Per Unit Capacity	Mounting	Options
MIR-SD	Mirrorlite	24 Watts	LC Sealed Lead	3H (180 min)	4H (240 min)	Mounting Is Universal Wall or Ceiling	<b>C</b> Custom Color (Specify) <b>CP</b> Chicago Plenum Listed <b>DL</b> Damp Location <b>RI</b> Remote Diagnostic Indicator <b>RM</b> Fused Remote Output Leads <b>TLRT</b> Infrared Remote Testing Transmitter (order separately, typically only 1 or 2 are required per site) <b>TD</b> 15 Minute Time Delay <b>S</b> Consult Factory for Availability
	Self-Test/	40 Watts		2H (120 min)	4H (240 min)		
	Self-Diagnostic	70 Watts	NC Nickel Cadmium	2H (120 min)	3H (180 min)	<b>UI</b> Back Box & Fixture Shipped Complete <b>UP</b> Back Box Pre-Shipped	
	Emergency Light	100 Watts		90 (90 min)	2H (120 min)		
	75	150 Watts		90 (90 min)	N/A		
MIR-SD							

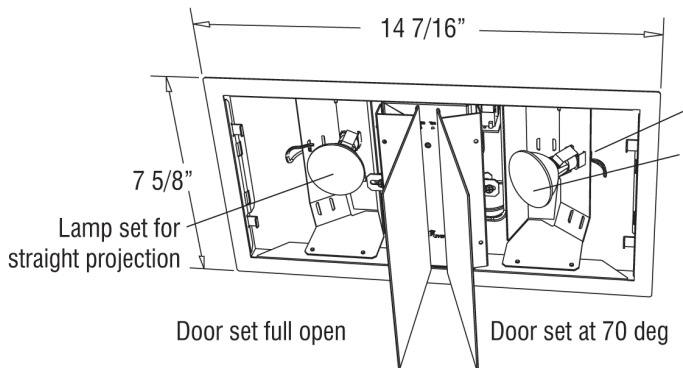
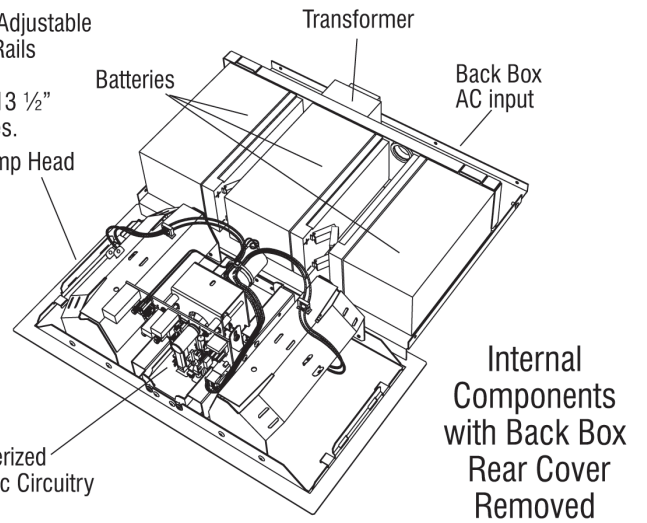
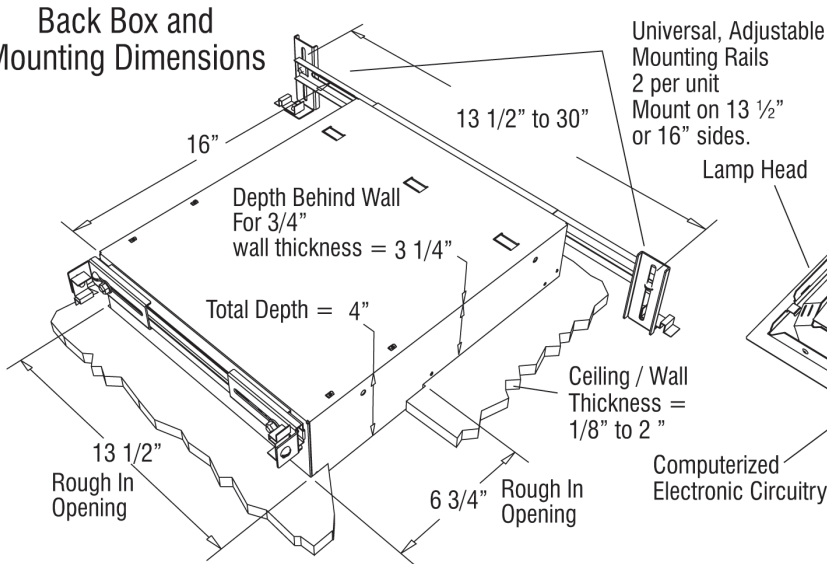
Fill in fields from categories above and complete type and part number.

Type Number:

Full Part Number:

# Mirrorlite MIR-SD Recessed Emergency Light

## Back Box and Mounting Dimensions



Lampholders can be field located in four fixed positions without tools to provide maximum coverage options. Lamps stay aligned in the correct orientation after bulb replacement.

Doors are independently adjustable from 65 degrees of opening to full open for accurate positioning of lamp beams.

Mounted Dimensions (doors open)

## Front Panel Diagnostic Display

- Hi Charge – Red
  - Float / Full Charge – Green
- Diagnostic Functions**
- <sup>2</sup> Battery Failure – Red Flash
  - <sup>5</sup> Lamp Failure – Red Flash
  - <sup>1</sup> Transfer Failure – Red Flash
  - <sup>3</sup> Charger Failure – Red Flash
  - <sup>4</sup> Door Failure – Red Flash
  - Insufficient Charge – Red/Grn
  - In Test – Green Flash