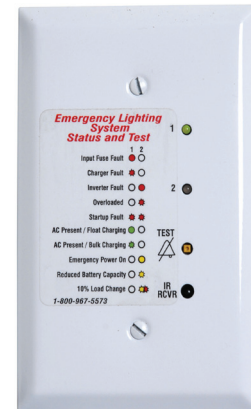


PROJECT NAME:	APPROVED BY:	
CATALOG NO:	TYPE NO:	

# PW SERIES - Remote Test/Monitor

## The Pure Wave Mini-inverter RT\*

Remote Test Switch and Monitor option allows the user to fully monitor the status of the sine wave inverter from a remote location. The user can now locate the inverter away from public areas in schools or other public access buildings where there may be a concern with unauthorized entry to the system.



## Features:

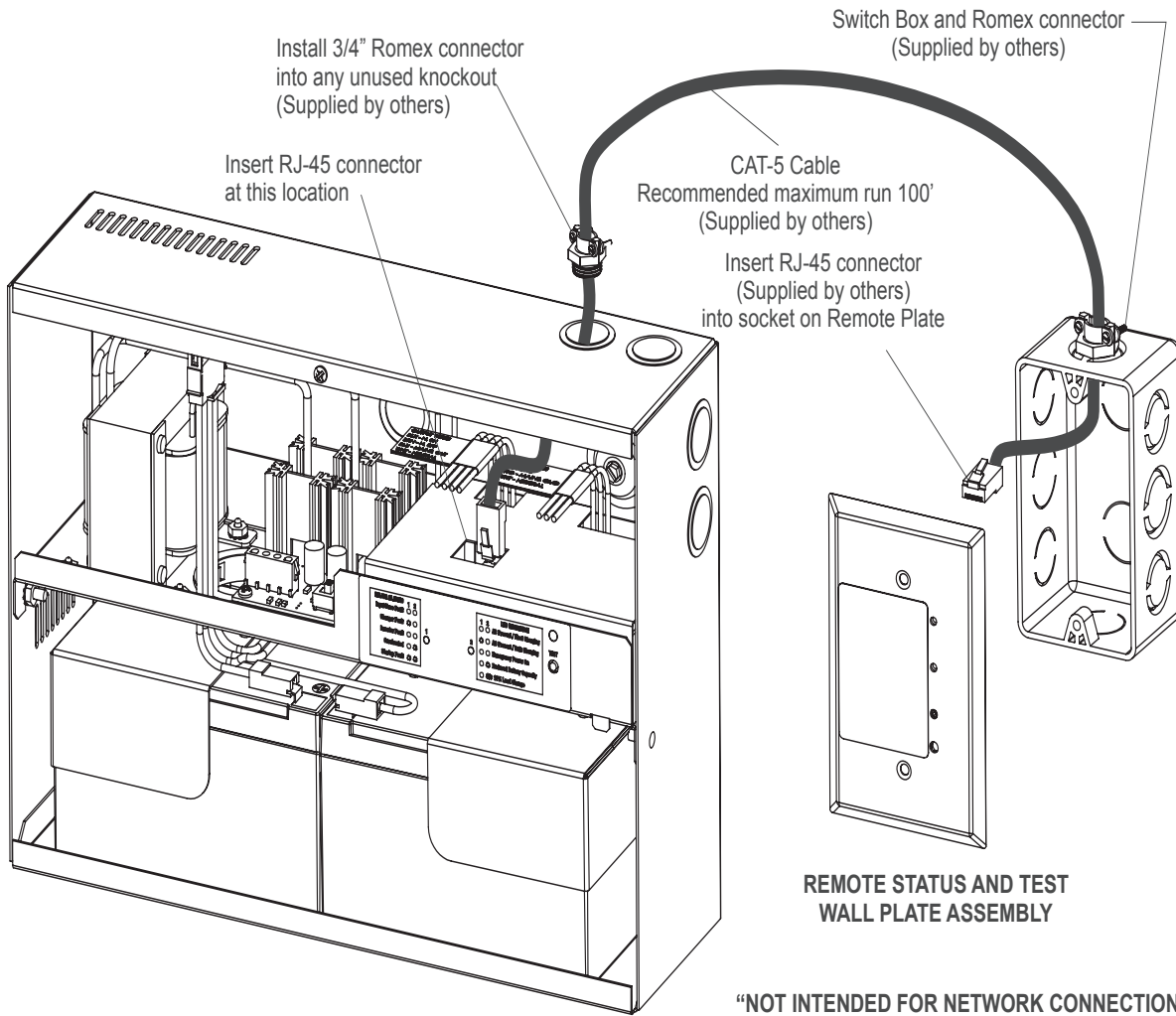
- Full system status display, including infrared receiver, test buttons, self-diagnostic LED Indicators, buzzer and system status LED's
- Clear easy to read and distinguish from other equipment monitors
- Remote Test Monitor can be used with the TLRT infrared hand held remote option for ease of on demand testing
- Remote display installs easily in a standard switch box
- Quick interconnect from inverter to remote test panel with Cat. 5 cable (not provided)
- RJ 45 connection points provided on inverter and remote test display pc boards
- Remote Test Display can be mounted up to 100' from the inverter, consult factory for greater distances
- Suitable for wall or ceiling mounting



\* RT is not available with Liteminder

# Central Power Systems Remote Test Monitor

## INVERTER REMOTE STATUS AND TEST PANEL WIRING INSTRUCTIONS



**"NOT INTENDED FOR NETWORK CONNECTION"**

Note: RJ-45/CAT-5 cable is used for direct connection from Inverter to Remote Display only.