

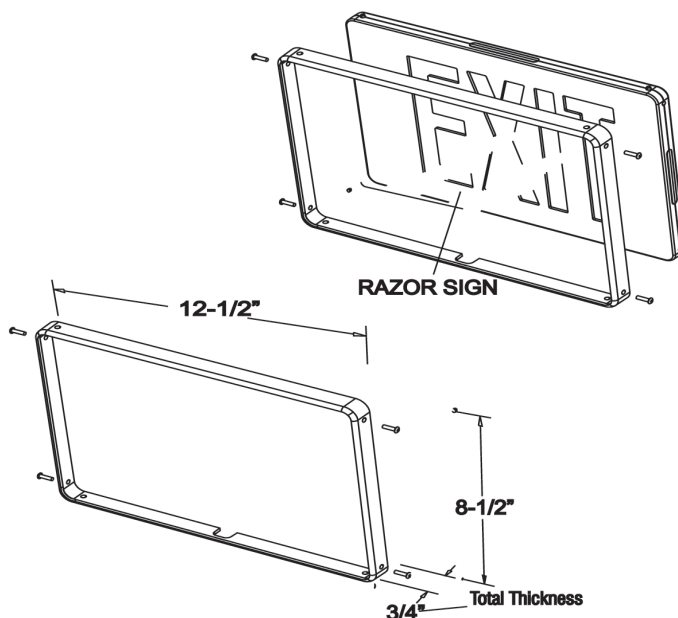
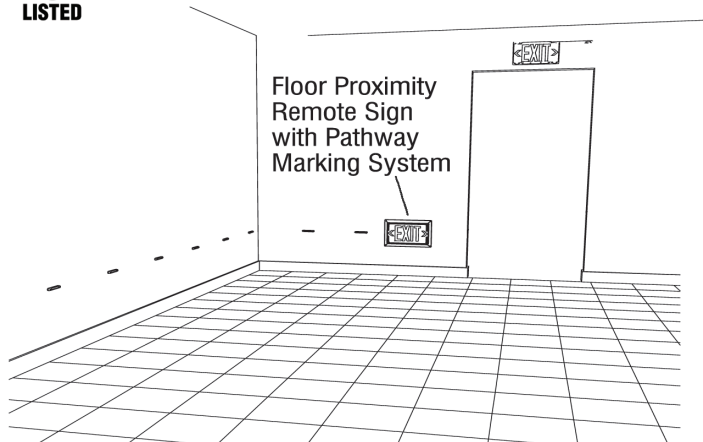
RAZOR - RS Security Cover

Clear Polycarbonate Security Cover

High Impact, Low Profile Clear Polycarbonate security cover is contoured to fit neatly over the razor housing eliminating unsightly screws in the face of the sign, or the necessity to bolt a cover to the wall. The Razor security cover provides an esthetically pleasing vandal shield option for public areas prone to accidental or intentional abuse.

Features

- Heavy wall .125 polycarbonate cover contoured to fit neatly over the housing and secured with 4-stainless steel button head cap screws to prevent unauthorized removal
- RS is provided standard with all LL, low level signs sold with RZMR, CCDMR, or Sovereign
- The RS Razor security cover can be used with single or double faced signs (2 required for d/f) in all mounting configurations including pendant mount applications
- Notched bottom allows for test switch access



Other Vandal Resistant Exit Signs



Sentry Wet Location
- Data sheet CDW



Sentry Industrial
- Data sheet CDI



INH201RBA Data sheet



LEX201RW-VS
- Data sheet LEX



SLV10G Data sheet SLV

ORDERING GUIDE - RS

Model		
RS - Polycarbonate Security Cover	Fill in fields from categories above and complete type and part number.	
RS	Type Number:	Full Part Number: