

PROJECT NAME:	APPROVED BY:
CATALOG NO:	TYPE NO:

# SENTRY - CDI Series LED Exit Signs

## Industrial

The Sentry Industrial provides the quality performance and appearance of the standard Sentry series LED exit sign enhanced with a durable 1/8" thick polycarbonate security faceplate cover, tamper resistant access screws and where required, a Heavy Duty mounting canopy.



### Construction

- Polycarbonate face shields provide impact resistance to the stencil face
- Tamper resistant hardware secures face shield and restricts access
- Injection molded internal cavity provides ease of installation and maintenance together with perfectly even legend illumination
- Die cast aluminum housing with a minimum wall thickness of .08", and a 1/8" thick beveled edge polycarbonate security cover over each stencil face
- Security cover and hinged faceplate is secured and locked with tamper resistant stainless steel screws
- Ceiling or end wall mounting installations are provided with an oversized canopy that enables more secure mounting with fixing points over a larger surface area.
- Canopy is attached to sign (field selectable mount) with two die cast 3/8" nipples and lock nuts and is suitable for conduit entry
- Fine grain brushed aluminum stencil face standard.
- Other finishes available
- Full size 100' viewing distance field selectable Chevron indicators
- Hidden knock out access points and universal mounting pattern

### Electrical

- Maintenance free LED light source with 25+ years life expectancy
- Battery backup models consume just 2.5 watts, .77 power factor
- 4 Hour battery backup runtime with premium long life, high temperature fused nickel cadmium battery pack
- 120 or 277 VAC field selectable input with quick install push-wire connectors
- Circuitry includes - Zero current LVCO, Brownout sensing & Line-Latch
- Self-Diagnostic Battery monitoring on all 'EM' models

- Electronic control circuit applies full wave, low ripple current to each LED thereby optimizing life and light output. A diagnostic self-compensating constant current charger circuit monitors the condition of the battery pack and indicates via a flashing LED when battery needs replacing
- Remote capable to power a remote exit sign only

### Illumination

- High intensity LED array provides exceptional energy efficiency with just 1-watt power consumption for both single and double face AC models
- Vivid legend illumination approx. 4 times the minimum UL 924 requirement
- Spectrally matched diffuser for superior visual brightness and uniformity

### Certification

- Tested, approved and listed by Underwriters Laboratories to UL 924, meets NFPA 101 Life Safety Code, NFPA 70- NEC, and OSHA requirements
- California Energy Commission (CEC) Title 20 Compliant



### Warranty

- 5 Year Limited Warranty

## ORDERING GUIDE - CDI

Example: CDI-EM-R-1-AB-CN-F

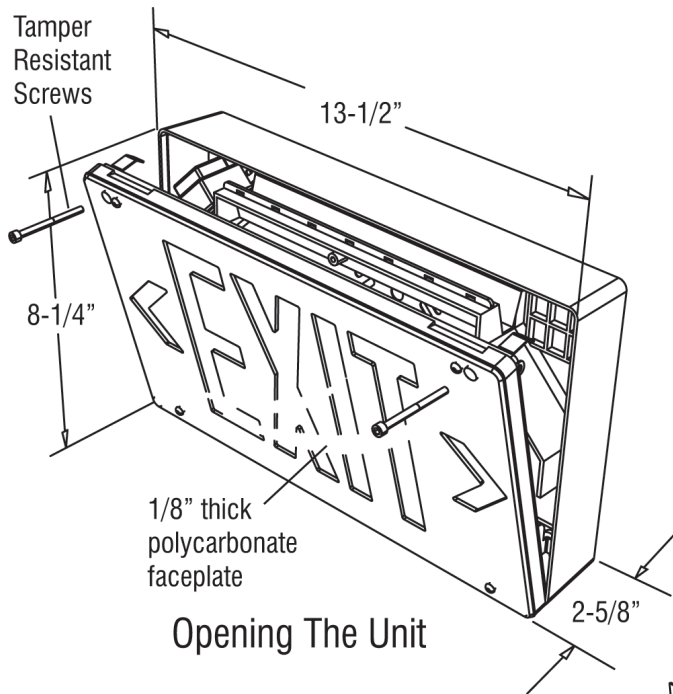
Model	Operation	Letter Color	No. of Faces	Body Color	Mounting	Options
CDI	<b>AC</b> AC Only 120/277 VAC	<b>R</b> Red <b>G</b> Green	<b>1</b> Single <b>2</b> Double	AB Brushed Face, Black Body BB All Black WW All White AA All Brushed Aluminum AW Brushed Face, White Body CC Custom Color	<b>1B</b> Single Face, Back Mount Only <b>CI</b> Industrial Canopy <b>RE</b> Recessing Frame <i>Includes 1/8" Polycarbonate Shield and Tamper Proof Screws</i>	<b>DL</b> Damp Location <b>F</b> Flash in Emergency Mode (EM models) or continuous Flash in AC models <b>FZ</b> F option including Buzzer <b>FA</b> Flash in AC and Emergency mode on 12-24V (AC or DC) normally off Fire Alarm signal (Available for AC and EM models) <b>FB</b> FA option including Buzzer <b>DK</b> Two Circuit Input - Specify Input Voltage (AC models) <b>PC2</b> 1/4" Polycarbonate Faceplate <b>SD</b> Self-Test / Self-Diagnostic (EM Models) <b>IR</b> Infrared Remote Testing Receiver Option <b>TLRT</b> Infrared Remote Hand Held Transmitter (order separately)
	<b>EM</b> Battery Backup					
CDI						

Fill in fields from categories above and complete type and part number.

Type Number:

Full Part Number:

# Sentry - CDI Series LED Exit Signs



## Top and End Mounting (Field Selectable)

