

PROJECT NAME:	APPROVED BY:
CATALOG NO:	TYPE NO:

SENTRY – Series Die Cast Aluminum LED/Photoluminescent Signs

Hybrid Technology

A FUSION OF TWO RELIABLE TECHNOLOGIES INTO ONE ENERGY EFFICIENT MAINTENANCE FREE EXIT SIGN

ALWAYS ON DUTY

Sentry Hybrid LED and Photoluminescent exit signs combine the reliability of LED and Photoluminescence into one reliable fully maintenance free exit sign that consumes 1/2 watt of power with never a battery to replace.

Softened corners and low profile – (just 2.4”) – create a sleek effect, further enhanced by chamfered edges.

Available in a standard contrast finish of brushed aluminum stencil over black or white body, or, if you prefer, subtle “all white,” dramatic “all black” or architectural “all brushed aluminum” finish.



Sign in the dark

Construction

- Maintenance-free LED light source, life expectancy of 25+ years
- Damp location is standard
- Optional recessing frame, polycarbonate face shield with tamper proof access screws, pendant & specialty mounts
- Low profile universal canopy with cast 3/4” nipple and locking nuts
- Hidden knock out access points and universal mounting pattern for wall mounting
- Field selectable directional chevrons
- Fine grain brushed aluminum stencil trim standard, other finishes available
- Two piece thick wall construction housing from heavy-duty die cast aluminum alloy, removable front stencil face with overlapping light seal

Electrical

- LED/Phosphor fusion technology delivers exceptional energy efficiency with just 1/2-watt power consumption for single & double-face AC models.
- No Battery to replace ever and completely maintenance free, fully automatic operation
- 120 or 277 VAC field-selectable input with quick install push wire connectors

Illumination

- Green legend illumination with 100’ rated viewing distance with 6” letter height and 3/4” stroke
- LED’S provide normal letter illumination and the photo luminescent material provides emergency illumination
- No external light source required, as the internal LEDs keep the phosphors saturated and ready for emergency operation

Certification

- Tested, approved and listed by Underwriters Laboratories to UL 924, meets CSA C22.2 No. 141-10, NFPA 101, NFPA 70-NEC and OSHA requirements
- California Energy Commission (CEC) Title 20 Compliant



Warranty

- 5 Year Limited Warranty

ORDERING GUIDE – CHY

Example: CHY-1-AB-CN-PC1

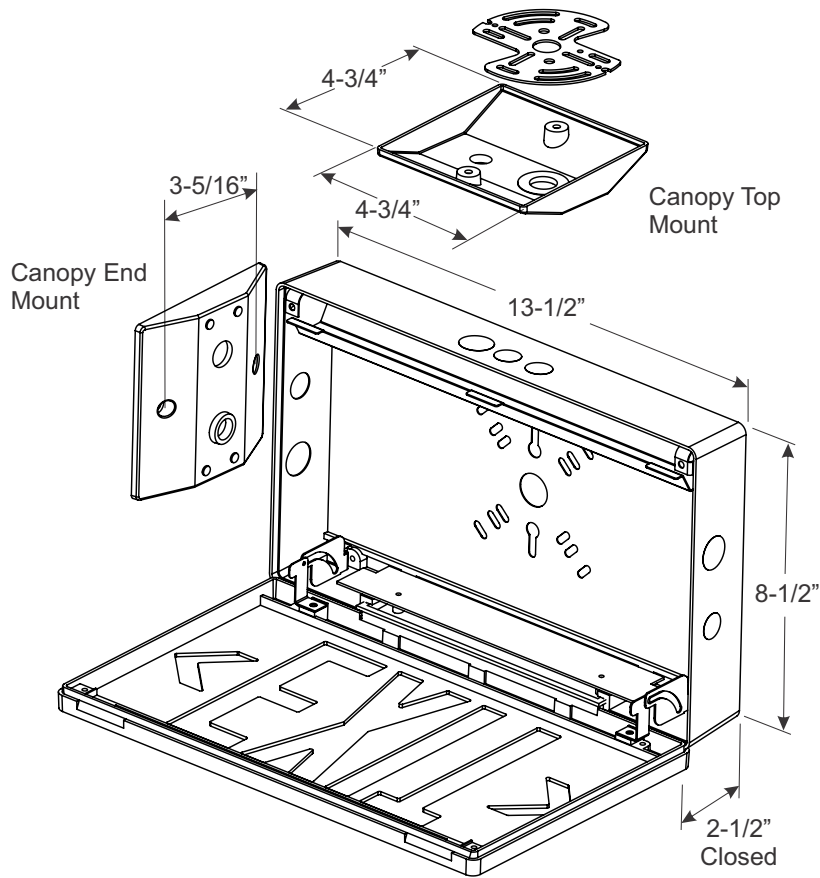
Model	No. of Faces	Body Color	Mounting	Options
CHY Sentry Hybrid	1 Single 2 Double	AB Brushed Face, Black Body BB All Black WW All White AA All Brushed Aluminum AW Brushed Face, White Body CC Custom Color	1B Back mount, No canopy CN Canopy Mounting Kit(Universal End/Ceiling) REC Recessed mounting kit PA 12” Swivel Pendant Mount PB 24” Swivel Pendant Mount PC 36” Swivel Pendant Mount PD 48” Swivel Pendant Mount	TP Tamper Proof Screws PC1 1/8” Polycarbonate Faceplate (includes TP) PC2 1/4” Polycarbonate Faceplate (includes TP) M990010 Wire Guard (Wall Mount Only)
CHY				

Fill in fields from categories above and complete type and part number.

Type Number:

Full Part Number:

SENTRY – Die Cast Aluminum Hybrid Exit Signs



SWIVEL PENDANT MOUNTING

