

PROJECT NAME:	APPROVED BY:		
CATALOG NO:	TYPE NO:		

# SOVEREIGN - LED Exit Signs

## Architectural Edgelit - Flat Trim

### EYE APPEAL

Sovereign LED edgelit exit signs set the standard for architectural appeal; always enhancing their surroundings and pleasing even the most discerning eye.

Subtle lines and soft curves create a distinctive "floating" edgelit look. Quality construction includes precision die cast aluminum housings with a unique, crystal clear, laser-formed thin acrylic legend.

The Sovereign has been designed with the latest high efficiency LED light sources to provide vivid pronouncement of its exit legend with exceptional uniformity and luminance levels – 4X the UL requirement.

Engineered for reliability and ease of installation, Sovereign comes in many cost-effective configurations offering superlative quality, performance, and aesthetics.



Recessed Ceiling Mount

### Construction

- Contoured crystal clear laser formed edgelit lens
- Lens Panel is "Last-to-Assemble" snap-in for versatility and ease of installation
- Full size universal, self-adhesive Chevron arrows with template enable on-site configuration
- Available with a range of information signage or custom graphics to order
- Custom legends with white LED light source available to order
- Precision pressure die cast aluminum legend holder, trim and surface mount housing
- Quality brushed aluminum sealed finish is standard, optional White, Black, brushed painted Brass finishes available.
- Consult factory for custom finishes.
- Hinged retaining springs eliminate exposed mounting hardware on recessed model
- Modular design provides ease of installation and matching configurations
- Low profile recessed housing is suitable for old or new work installations and is Type IC Rated
- Recessed ceiling back box features universal adjustable mounting brackets with quick-fit retaining clips to suit most ceiling types

### Electrical

- Diagnostic Battery Monitoring on all "EM" models
- Available with Master/Remote combinations
- Battery Diagnostic Circuit monitors battery status, detects cell failure and issues alert of reduced capacity and the need to replace battery
- Unique electronic driver circuit provides current control and protection ensuring optimum LED efficiency and life
- Universal 120/277 VAC field selectable input. All versions feature fully integral electronic components
- Premium long life high temperature rated, fused Nickel Cadmium battery
- Recessed AC Indicator and Test Switch
- Brownout sensing assures emergency illumination during periods of low line voltage

- Self-compensating solid state Constant Current Charger provides extended float life and rapid recharge
- Zero current LVCO ensures positive charge acceptance following extended discharge

### Illumination

- Maintenance free LED Light source with 25+ years life expectancy
- Refractive light guide engineered to optimize LED utilization and illumination uniformity

### Certification

- Approved for use in New York City calendar #48851
- UL Listed 3 hour emergency duration standard
- UL 924 Listed by Underwriters Laboratories and meets or exceeds all performance standards as required by NFPA 101, NFPA 70-NEC and OSHA
- California Energy Commission (CEC) Title 20 Compliant



### Warranty

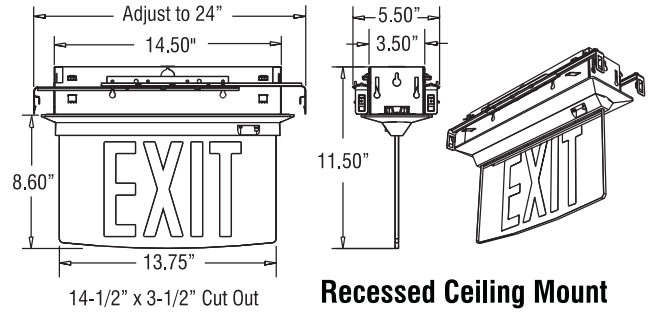
- 5 year limited warranty

Power Consumption				
	Type	Volts	Max Watts	Power Factor
RED	AC Only	120 / 277	1.5	.70
RED	Battery Backup	120 / 277	2.5	.70
RED	Battery Backup with Remote	120 / 277	3.0	.73
GREEN	AC Only	120 / 277	2.3	.70
GREEN	Battery Backup	120 / 277	3.0	.76
GREEN	Battery Backup with Remote	120 / 277	4.0	.81

# Sovereign LED Exit Signs



Select options FT and FP



Recessed Ceiling Mount

## ORDERING GUIDE – SOV

Example: SOV-EM-R-1W-BA-RC-UC-SD-FT-FP

Model	Operation	Legend Size/ Letter Color	Faces/ Background	Trim/ Housing Color	Mounting	Chevron Direction	Options
SOV	<b>AC</b> AC Only 120/277 VAC	<b>R</b> RED Standard 6" EXIT	<b>1C</b> Single Face, Clear Background (standard)	<b>BA</b> Brushed Aluminum (standard)	<b>Standard Mounting</b> <b>RC</b> Recessed Ceiling <b>UP</b> Back Box Pre Shipped	<b>UC</b> Field Installed Adhesive Chev- ron Indicators	<b>DK</b> Two Circuit Input –Specify Input Voltage (AC Models only)
	<b>EM</b> Battery Backup Emergency	<b>G</b> GREEN Standard 6" EXIT <b>NR</b> RED 8" EXIT <b>NG</b> GREEN 8" EXIT	<b>1M</b> Single Face, Mirror Back- ground <b>2M</b> Double Face, Mirror Background (Mirror simulates clear background for double face exits) <b>1W</b> Single Face, White Background <b>2W</b> Double Face, White Background	<b>WH</b> White Finish <b>BK</b> Black Finish <b>BR</b> Brushed Brass Painted Finish <b>CC</b> Custom Color (specify)		<b>AR</b> Arrow Right EXIT> <b>AL</b> Arrow Left <EXIT <b>AA</b> Double Arrow <EXIT> <b>LR</b> Arrow Left/ Arrow Right <EXIT/EXIT> (Double Face units only)	<b>DL</b> Damp location listed <b>EU</b> Euro Legends (Consult factory for full range) <b>F</b> Flash in Emergency Mode (EM Models) or continu- ous Flash in AC models <b>FA</b> Flash in AC and Emer- gency mode on 12-24V (AC or DC) normally-off fire alarm signal (Available for AC and EM models) <b>FB</b> FA Option including Buzzer <b>FZ</b> F Option including Buzzer <b>FP</b> Flat Panel (no curve on panel bottom) <b>FT</b> Flat Trim for Recessed Ceiling Mount <b>IR</b> Self-Diagnostics with Infrared remote Testing (EM models only) <b>TLRT</b> Infrared hand held Trans- mitter (order separately) <b>LL</b> High/Low Level Master and Remote (available for AC and EM Models-Remote is Die Cast Exit Razor to match master) <b>SD</b> Self-Test / Self- Diagnostic(EM models Only) <b>VA</b> Other Input Supply Volt- age (Consult Factory)
SOV						<i>Factory installation of Chevrons is recommended for Double Face Signs</i>	

Fill in fields from categories above  
and complete type and part number.

Type Number:

Full Part Number: