

PROJECT NAME:	APPROVED BY:
CATALOG NO:	TYPE NO:

SOVEREIGN - Explosion Proof

LED Edgelit Exit Sign



Sovereign SXP sets new standards in Hazardous Location Exit signs as the first explosion proof self-contained emergency LED edgelit Exit or Custom Graphic sign. The classic Sovereign curved legend panel blends to create a classic “floating” edgelit appearance. Quality construction includes precision cast aluminum housing with a unique, crystal clear laser formed acrylic light guide. The Sovereign utilizes the latest high efficiency light sources to provide vivid pronouncement of the legend with exceptional uniformity.

Construction

- Quality Copper-free cast aluminum housing finished with gray epoxy powder coat
- 1/2” NPT conduit hubs
- Available in Wall, Pendant or End Mount configurations

Electrical

- Maintenance free LED light source with 25+ years life expectancy
- Electronic control circuit applies full wave, low ripple current to each LED thereby optimizing life and light output. A diagnostic self compensating constant current charger circuit monitors the condition of the battery pack and indicates via a flashing LED when battery needs replacing
- Universal 120 or 277 VAC field selectable input. Other voltages are available to order. All versions feature fully integral electronic components
- Available in AC only operation (AC) or self contained battery back up (EM) models
- Self Test / Self Diagnostic circuit with infra-red remote testing available
- Circuitry includes – Zero current LVCO, Brownout sensing & Line-Latch

Illumination

- Refractive light guide is engineered to optimize LED utilization and illumination uniformity
- High intensity LED array provides exceptional energy efficiency with less that 3 watts power consumption
- Custom Graphic signs available to order, also available with Phantom illumination (legend not visible in the off mode) or Stencil illumination for always visible legends and graphics

Certification

- UL listed 3 Hour battery backup runtime with Premium long life high temperature fused Nickel Cadmium maintenance free battery pack
- Meets UL 924, NFPA 101 Life Safety Code, NFPA 70-NEC, and OSHA requirements



Warranty

- 3 Year Limited Warranty

Power Consumption				
	Type	Volts	Max Watts	Power Factor
RED	AC Only	120 / 277	1.5	.70
RED	Battery Backup	120 / 277	2.5	.70
GREEN	AC Only	120 / 277	2.3	.70
GREEN	Battery Backup	120 / 277	3.0	.76

ORDERING GUIDE – SXP

Example: SXP-EM-R-1W-AR-WP

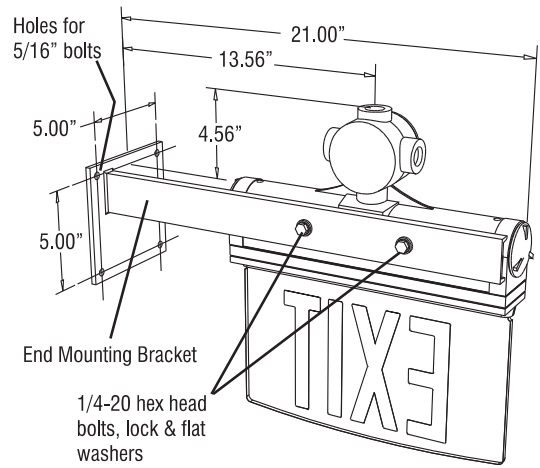
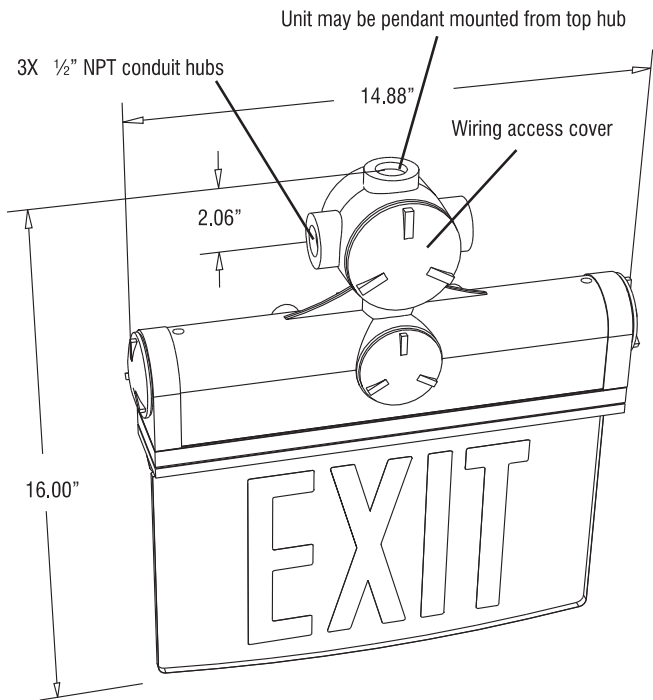
Model	Operation	Legend Size/ Letter Color	Faces/Background	Chevron Direction	Mounting	Options
SXP	AC AC Only 120/277 VAC EM Battery Backup Emergency	R RED – Standard 6” EXIT G GREEN – Standard 6” EXIT C Custom Graphics (Specify)	1W Single Face, White Background 2W Double Face, White Background	UC Field Installed Adhesive Chevron Indicators AR Arrow Right <EXIT> AL Arrow Left <EXIT> AA Double Arrow <EXIT> LR Arrow Left/Arrow Right <EXIT/EXIT> (Double Face units only) <i>Factory installation of Chevrons is recommended for Double Face Signs</i>	WP Wall Mounting EB End Mount Bracket (Optional) PM Pendant Mounting (Conduit supplied by others)	EU Euro Legends (Consult factory for full range) VA Other Input Supply Voltage (specify Volts and Frequency) (Consult Factory) SD Self-Diagnostic (EM Models)
SXP						

Fill in fields from categories above and complete type and part number.

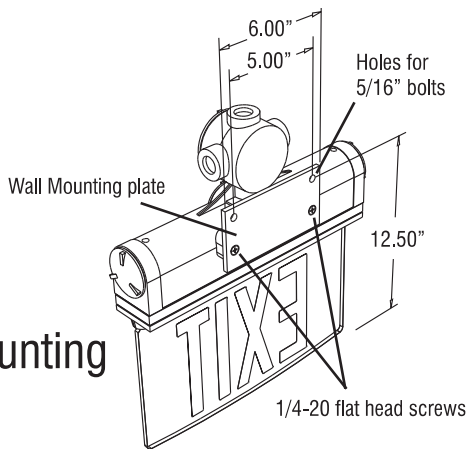
Type Number:

Full Part Number:

Sovereign Explosion Proof LED Edgelit Exit Sign



End Mounting



Wall Mounting

Code Compliance, meets or exceeds requirements for NFPA 101:

Class I, Division 1,
Groups C & D

Class I, Division 2,
Groups A, B, C & D

Class II, Division 1,
Groups E, F & G

Class III, Division 1

Class I, Zone 1,
Groups IIA, IIB,

Class I Zone 2,
Groups IIA, IIB + H2 & IIC

Marine Outside Type
UL 1598A, 844, 924

IP65