

PROJECT NAME:	APPROVED BY:
CATALOG NO:	TYPE NO:

TELESIS - TCS Series Compact MR16

Emergency Light Indoor Applications

The Telesis TCS provides high performance MR16 halogen lamps in an economical contemporary housing that complements most interior applications. The TCS is engineered for Quick fit easy installation, maintenance free reliability and is also available for wet locations (see data sheet TCSWL).



Construction

- Compact low profile design
- High impact injection molded thermoplastic, 5VA rated flame retardant ABS housing available in white or black finish
- Snap fit housing for easy installation
- Knockout Universal mounting pattern for wall mounting
- Knockout for top conduit entry

Electrical

- Fully automatic operation turns on the emergency lamps on failure of normal power and automatically recharges the battery on restoration of normal power
- Lead calcium battery provides 90 minutes of operation
- Optional 3.6 watt LED lamps provide 120 minute operation
- Field selectable 120 or 277VAC input
- Operating temperature range is 20° to 40° C
- Constant voltage two rate charger recharges the battery in 24 hours
- Momentary test switch and AC on indicator
- Line latch prevents unnecessary discharge of battery during installation, loads will not illuminate until after application of utility power
- Low voltage cut-off prevents battery damage and ensures positive charge acceptance following an extensive discharge
- Brownout sensing assures emergency operation during periods of low line voltage
- Damp location environmentally coated circuitry as standard

Illumination

- Two fully adjustable low profile 7 watt MR16 lampheads are standard
- Optional 3.6 watt LED lamps are available at 220 lumens per lamp

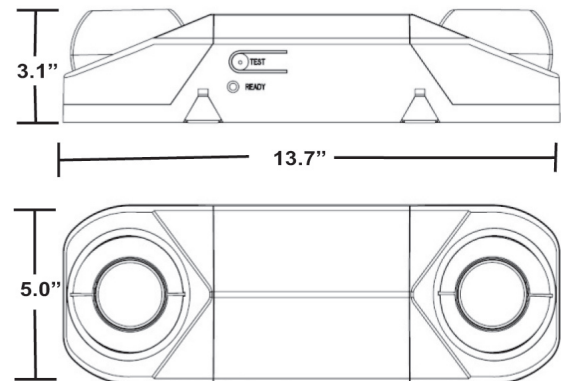
Certification

- Meets UL924, NFPA 101 Life Safety Code, NFPA 70-NEC, and OSHA requirements
- UL924 listed for damp location 20° to 40°C



Warranty

- Three year limited warranty (see full warranty data sheet for details)



TCS dimensions

ORDERING GUIDE - TCS

Example: TSC-W-LED

Model	Housing Color	Lighting Heads	Options
TCS Telesis TCS Emergency Light	W White B Black	MR16 Supplied Standard with 7-Watt MR16 Lampheads	US Assembled in the USA VRS Polycarbonate Vandal Shield for TCS LED 3.6 Watt MR16 LED Lamps
TCS			

Fill in fields from categories above and complete type and part number.

Type Number:

Full Part Number:

Telesis TCS Compact Emergency Light

Input Characteristics

Model Number	Inout watts(W)		Input Amps(A)	
TCS	120V	277V	120V	277V
	4.2	5.2	0.039	0.021

