

PROJECT NAME:	APPROVED BY:
CATALOG NO:	TYPE NO:

# TELESIS - TCX LED Combination

## LED Exit Sign and Emergency Light

Telesis TCX Combined LED Exit and LED emergency light provides the reliability of LED's in both the exit sign and the emergency heads.

The 2 watt LED lamps provide 125 lumens each for superior spacing performance. The exit legend is illuminated with long life high brightness red or green LED's. Remote capability to power optional LED remote heads is included as standard.



### Construction

- Compact low profile design provides the required 90 minutes of emergency operation
- Injection molded flame retardant, high impact thermoplastic housing in White or Black(optional)
- Universal mounting canopy included for ceiling mounting, universal single or double face
- Snap together, quick fit installation with field selectable chevron directional indicators

### Electrical

- Long Life, High Intensity LED Array available in red or green with 6" letter and 3/4" stroke
- Maintenance free Nickel Cadmium batteries, operating temperature range 10°C to 40°C
- Remote capability is standard and can operate two 1 watt LED lampheads, or can be used for longer run time
- Optional single or double remote heads are available with 3.6 volt 1 watt LED's in indoor and outdoor models
- Available with full Self-Test/Self-Diagnostic option
- Field Selectable 120 or 277 VAC input
- Test switch and AC indicator light provided for ease of testing

- Fully automatic, solid state two rate charger will recharge battery per UL 924 requirements
- Solid state transfer relay for reliability
- Line latch prevents unnecessary discharge of battery during installation, loads will not illuminate until after application of power
- Low voltage cut-off prevents battery damage and ensures positive charge acceptance following an extended discharge
- Brownout sensing assures emergency operation during periods of low line voltage

### Illumination

- Two fully adjustable high brightness 2 watt LED heads each producing 125 Lumens for optimum spacing and distribution

### Certification

- Suitable for use in damp locations
- UL 924 listed and meets NFPA 101 Life Safety Code, NFPA 70-NEC and OSHA requirements
- CEC Title 20 Compliant



### Warranty

- 3 year limited warranty

## ORDERING GUIDE - TCXCOM

Example: TCXCOM-RU-W-SD

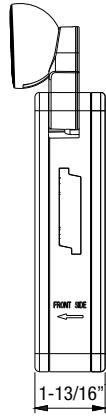
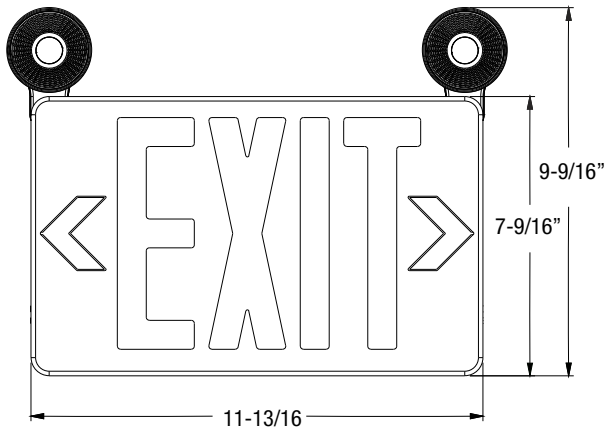
Model	Operation	Letter Color	Number of Faces	Housing Color	Options
TCXCOM Telesis LED Exit/Emergency Light Combo*	2 x 2 Watt LED Lampheads	R Red LED G Green LED	U Single/Double Face Universal Mount	W White (Standard) B Black (must be ordered with SD option)	<b>SD</b> Self-Diagnostic Testing <b>TCRH1</b> White Single Indoor 1 Watt LED Remote Head (Order Separately) <b>TCRH2</b> White Double Indoor 1 Watt (ea.) LED Remote Head (Order Separately) <b>TCRH1B</b> Black Single Indoor 1 Watt LED Remote Head (Order Separately) <b>TCRH2B</b> Black Double Indoor 1 Watt (ea.) LED Remote Head (Order Separately) <b>PRWLED1-MV*</b> Single Outdoor 1 Watt LED Remote Head (Order Separately) <b>PRWLED2-MV*</b> Double Outdoor 1 Watt (ea.) LED Remote Head (Order Separately) <b>M990005</b> Wire Guard 13-3/4" x 15-1/4" x 6.0" <i>*Outdoor remote heads are Gray standard, Black to order</i> <i>*When used with an SD unit MV remote heads must have SD designation to ensure compatibility</i>
TCXCOM					

Fill in fields from categories above and complete type and part number.

Type Number:

Full Part Number:

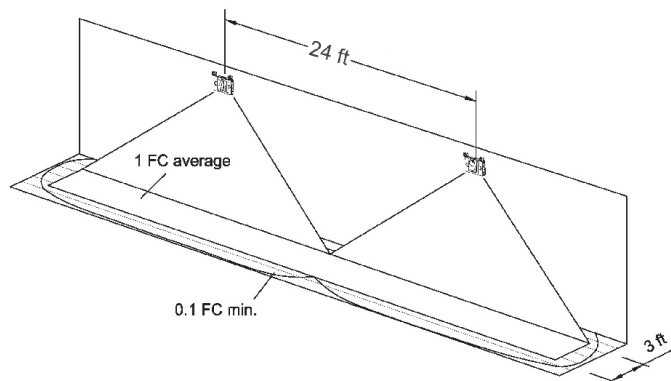
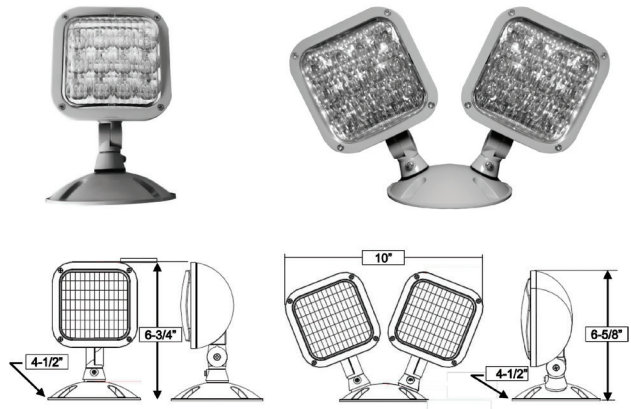
# Telesis TCXCOM Combination LED Exit Sign and Emergency Light



## Indoor Remote heads



## Outdoor Remote Heads



Mounting height is 8' reflectance of 80-50-20

