

PROJECT NAME:	APPROVED BY:
CATALOG NO:	TYPE NO:

TELESIS - TEB Series

MR16 Halogen Emergency Light

The Telesis TEB provides high performance MR16 halogen lamps in an economical contemporary housing that complements most interior applications. The TEB is engineered for Quick fit easy installation and maintenance free reliability, and now available in a high capacity 12 Volt 50 Watt model.



Construction

- Snap-fit assembly provides E-Z installation
- Compact low profile design for wall mount applications
- High impact, flame retardant injection molded thermoplastic housing in a pure white finish
- Knock out mounting pattern on back plate and top conduit entry

Electrical

- Fully automatic operation turns on emergency lamps on failure of normal utility power and automatically recharges the battery on restoration of normal power
- Optional higher wattage lamps available for TEB4E50 model, or remote capability to power remote heads
- Maintenance free sealed Lead-Calcium battery, operating temperature range 7°C to 30°C
- 90 minute minimum emergency operation, battery fully recharges in 24 hours
- Self-Test / Self-Diagnostic option available
- Field selectable 120 or 277 VAC input
- Momentary test switch and AC status indicator
- Constant voltage solid state charging circuit
- Line-latch prevents unnecessary discharge of battery during installation, loads will not illuminate until after application of utility power
- Low voltage cut-off prevents battery damage and ensures positive charge acceptance following an extended discharge
- Brownout sensing assures emergency operation during periods of low line voltage
- Damp location environmentally – coated circuitry provided as standard

Illumination

- Two adjustable 6 volt 5 watt super bright MR16 Halogen lighting heads standard for TEB2
- Two adjustable 12 volt 12 watt super bright MR16 Halogen lighting heads standard for TEB4E50

Certification

- UL 924 Listed and meets NFPA 101 Life Safety Code, NFPA 70-NEC and OSHA requirements



Warranty

- 3 year limited warranty

ORDERING GUIDE – TEB

Example: TEB4E50-B-SD

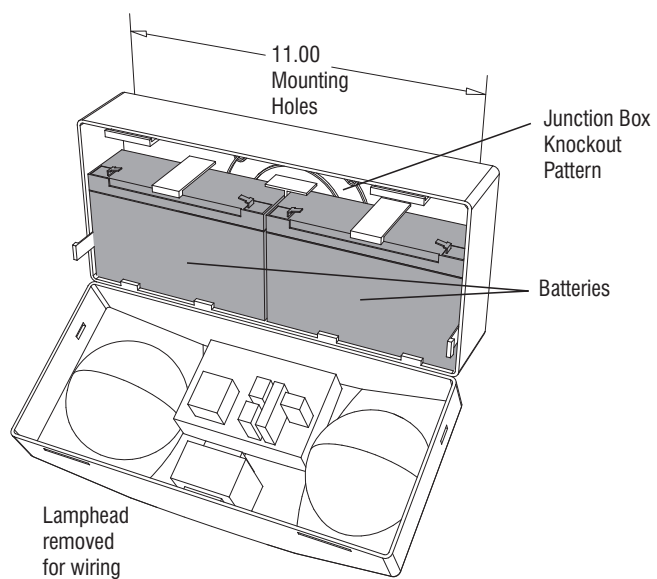
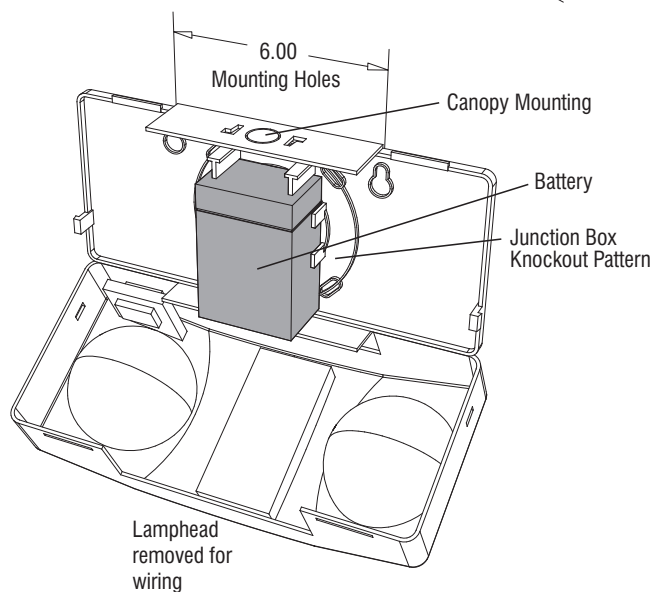
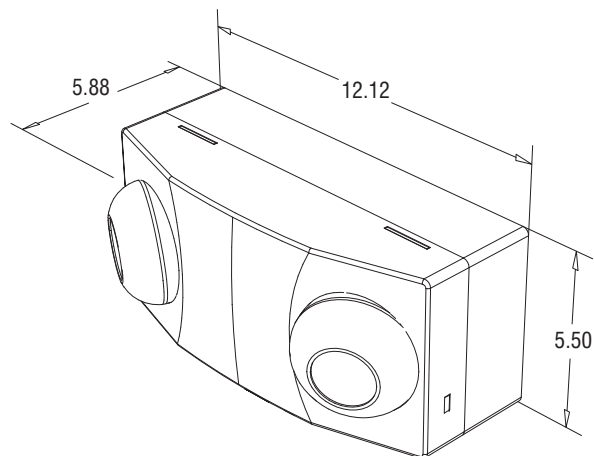
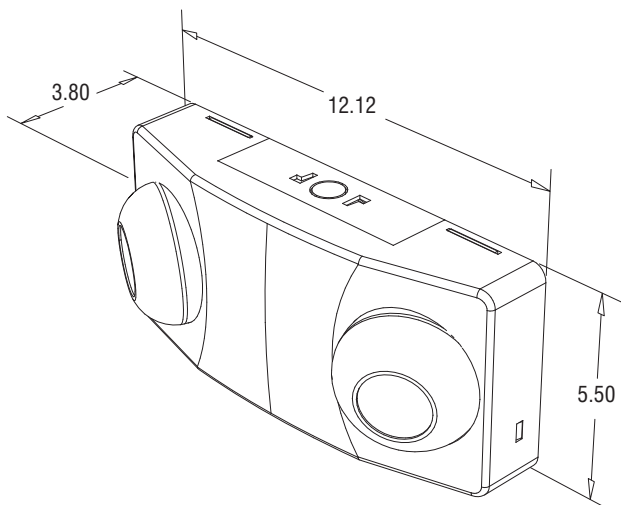
Model	Battery Capacity VDC	Housing Color	Options
TEB2B-SD Self-Diagnostic 2-5 Watt MR16 Lampheds Black Housing	6 Volt - 12 Watt	W White available with SD option B Black available with SD option	L110068 Single/Double Face Universal Mount L110069 6 or 12 Volt 3 Watt LED MR16 180 Lumens
TEB4E50W-SD Self-Diagnostic 2-12 Watt MR16 Lamp heads, White Housing	12 Volt - 50 Watt		VRS1 Polycarbonate Shield (TE4E50 Only)
TEB4E50B-SD Self-Diagnostic 2-12 Watt MR16 Lampheds, Black Housing			M990005 Wire Guard TEB2 Only (15-1/4" x 13-1/3" x 6") WG6 Wire Guard TEB4 Only (20" x 17" x 12")
TEB28			

Fill in fields from categories above and complete type and part number.

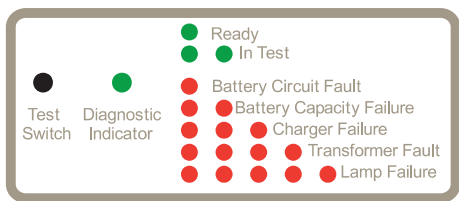
Type Number:

Full Part Number:

Telesis TEB Series MR16 Halogen Emergency Light



Self Diagnostic Option



Isofootcandle Curve

