

# TELESIS TEXZ-URC - LED Exit Signs

*Universal Edgelit*

## Telesis Series Commercial Grade LED Edgelit Exit Sign

Universal, Recessed Ceiling/Wall or Surface Wall, Ceiling or End Mount, single or Double Face (field selectable)

Universal design, contemporary styling and mounting versatility make the Telesis Edgelit the sign of choice for all commercial interior applications. Telesis LED Edgelit features soft curves, low profile housings and a brightly illuminated lens to create a "floating" edgelit appeal.



### Construction

- Low Profile extruded aluminum housing and optional trim plate anodized in a satin finish
- Injection molded gray Endcaps and Canopy to match
- Optional fully enclosed recessed backbox assembly fabricated from formed sheet steel with adjustable bar hangers to suit T Bar or Joist mounting up to 24"
- Optional Canopy with crossbar allows for surface end, top or wall mounting
- Last to assemble snap in lens for versatility and ease of installation

### TEXZ-URC Universal Kit

- The TEXZ-URC Universal includes an optional recessed backbox assembly with matching aluminum trim plate for recessed ceiling or wall mount installation
- The Universal Canopy and crossbar provide for optional surface mounting in Top, Wall, or End mount configurations
- The unique pivoting housing allows for wall mounting or for "hang straight" applications on sloped ceilings
- The kit is provided with a field selectable single face clear edgelit lens, or optional double face mirrored background lens. An additional single face mirrored lens is available as an optional extra (see ordering guide)
- Field selectable Chevron directional indicators included as standard

### Electrical

- Universal 120 or 277 VAC field selectable input
- Power consumption : AC only Red <2 Watts, AC only Green <3 Watts,
- EM Red <2.5 Watts, EM Green <3 Watts
- Listed for indoor damp locations 10°C to 40°C
- EM models feature a 4.8V long life Maintenance Free Nickel Cadmium battery, providing 90 minutes emergency run time

- Solid state battery charging circuit provides 24 hour re-charge
- Low voltage cut-off prevents battery deep discharge damage and ensures positive charge acceptance following an extended discharge
- Surge and brownout protection are standard
- EM models include Push to test Switch and AC present indicator

### Illumination

- Maintenance free LED light source with 25+ years
- Crystal clear acrylic edgelit lens with screen printed legend
- Red or Green LED with 6" letters and 3/4" stroke for 100' code compliance

### Certification

- Tested and Listed by Underwriters Laboratories in compliance with UL924, meets or exceeds all performance standard as required by NFPA 101 Life Safety Code, NFPA 70-NEC and OSHA
- California Title 20 Certified



### Warranty

- 3 Year Limited Warranty – view complete warranty terms online at
- [www.evenlite.com/warranty/Terms.pdf](http://www.evenlite.com/warranty/Terms.pdf)

## ORDERING GUIDE – TEXZ-URC

**Example:** TEXZ-URC-EM-R

Model	Operation	Legend Color	Faces/Backgrounds	Panel Options
TEXZ	AC AC Only 120/277 VAC EM Battery Backup	R Red G Green	URC Includes 1 Single Face Clear Background Edglit Lens and 1 x Double Face Mirror Edgelite Lens and Back Box for recessed Applications	TEXR1M Additional Single Face Red Letters Mirrored Background Lens TEXG1M Additional Single Face Green Letters Mirrored Background Lens  * For greater versatility and options see Sovereign Series
TEXZ				

Fill in fields from categories above and complete type and part number.

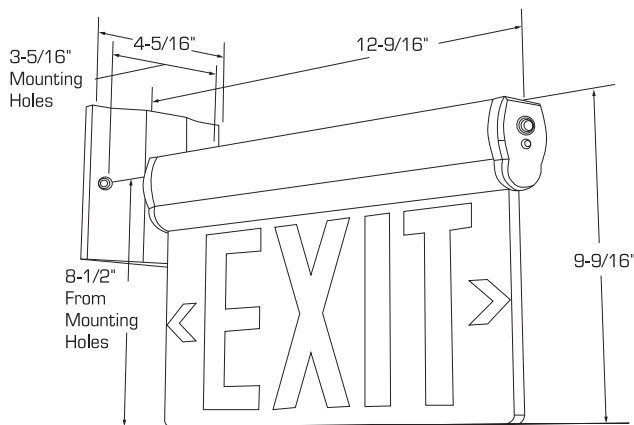
Type Number:

Full Part Number:

# Telesis Universal LED Edgelit Exit Sign



Surface End Mount



Surface Ceiling Mount

