

PROJECT NAME:	APPROVED BY:
CATALOG NO:	TYPE NO:

# VANDAL - Wet Location

## REMOTE HEADS - WRH Series

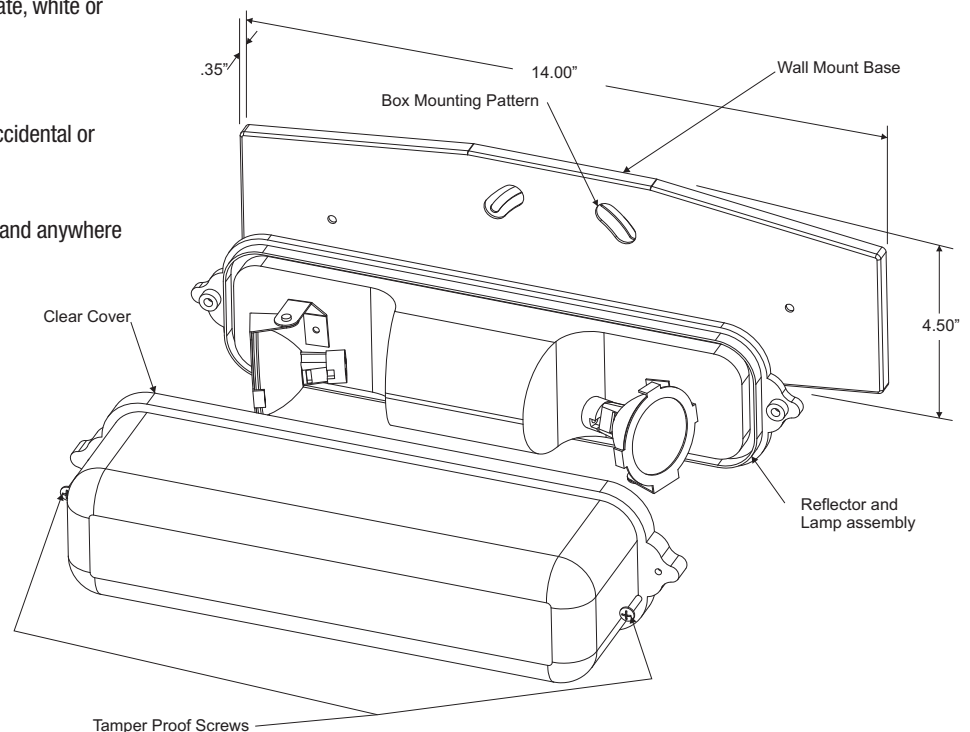
### VANDAL RESISTANT

The Wet Location remote heads provide the quality construction of the standard vandal series enhanced with a 1/8" thick impact resistant injection molded polycarbonate shield. Ideal for wet locations and NEMA 4X requirements with an IP 66 rating, and for vandal resistant applications. Two LED or MR16 lampheads provide emergency illumination powered from a remote battery unit.



### Construction

- 18-gauge cold rolled powder coated steel back mounting plate, white or black finish
- Rubber O-Ring gasket retained in a groove for wet locations
- Universal Mounting pattern for wall or ceiling mounting
- Polycarbonate protective lens shroud protects lamps from accidental or intentional abuse
- Stainless steel tamper resistant Torx head screws
- Suitable for use in schools, public areas, detention facilities, and anywhere that vandalism or abuse is a concern



### ORDERING GUIDE - WRH

Example: WRH-MR1220-W

Model	6 Volt Lamps	12 Volt Lamps	24 Volt Lamps	Mounting Plate Color
WRH	<b>MR65</b> 6 Volt 5 Watt MR16 <b>MR610</b> 6 Volt 10 Watt MR16 <b>LED5</b> 6 Volt 5 Watt LED <b>LED7</b> 6 Volt 7 Watt LED	<b>MR1210</b> 12 Volt 10 Watt MR16 <b>MR1212</b> 12 Volt 12 Watt MR16 <b>MR1220</b> 12 Volt 20 Watt MR16 <b>MR1235</b> 12 Volt 35 Watt MR16 <b>MR1250</b> 12 Volt 50 Watt MR16 <b>LED5</b> 12 Volt 5 Watt LED <b>LED7</b> 12 Volt 7 Watt LED	<b>MR2412</b> 24 Volt 12 Watt MR16 <b>MR2420</b> 24 Volt 20 Watt MR16 <b>MR2435</b> 24 Volt 35 Watt MR16 <b>MR2450</b> 24 Volt 50 Watt MR16 <b>LED5</b> 24 Volt 5 Watt LED <b>LED7</b> 24 Volt 7 Watt LED	<b>W</b> White (standard) <b>B</b> Black (optional)
WRH				

Fill in fields from categories above and complete type and part number.

Type Number:

Full Part Number: