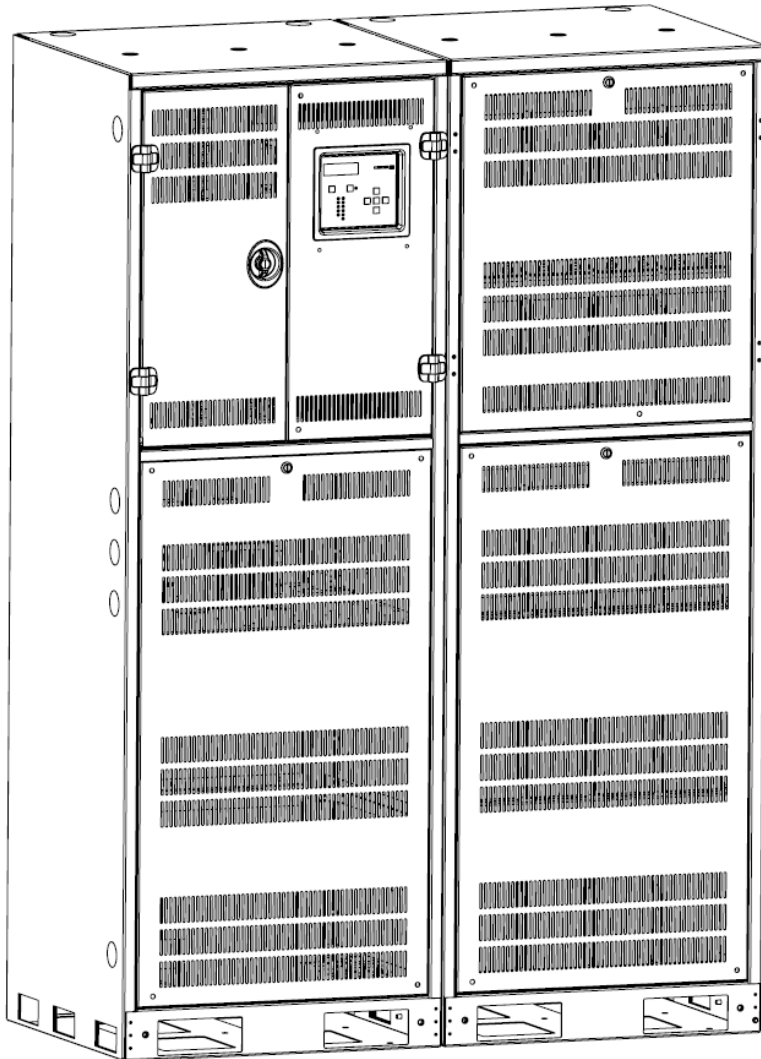


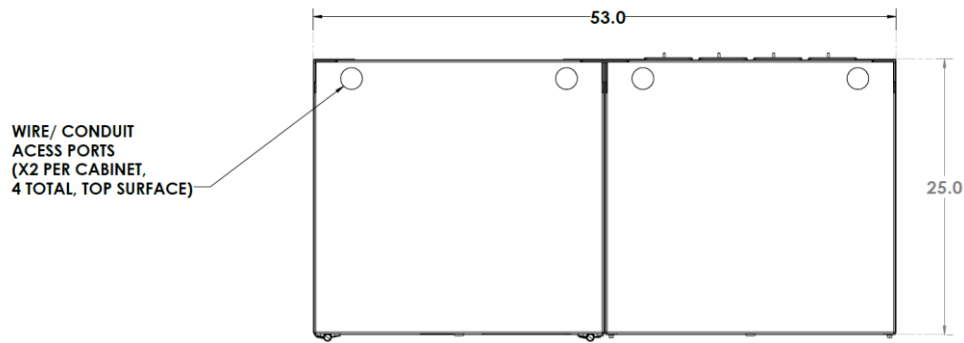
Contractors Guide
Emergency Lighting Central Inverter System
Step By Step Procedures
17,000 Watt/VA (Single Phase)
Installation Guidelines



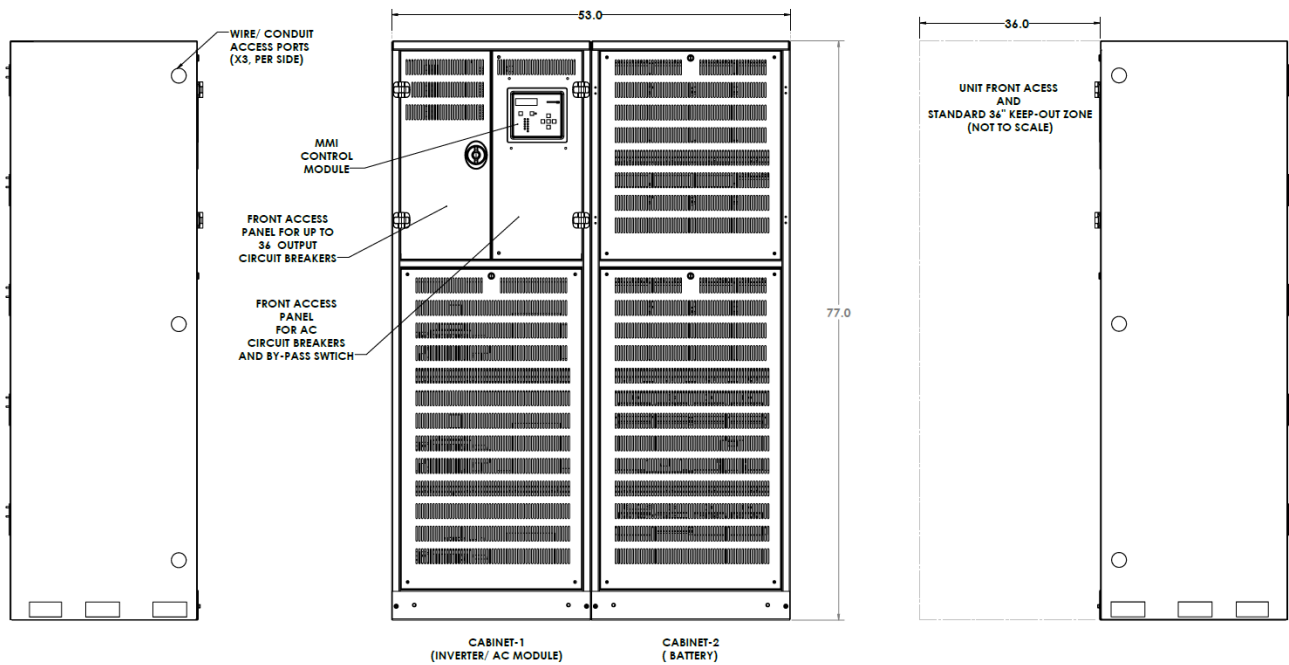
5 Step Installation:

1. Mounting the Cabinets
2. Install / Connect Batteries
3. Install AC Conduit
4. Install AC Wiring
5. Energize System

For additional information, please refer to the Installation/Operation Manual



Top View Outline Dimensions



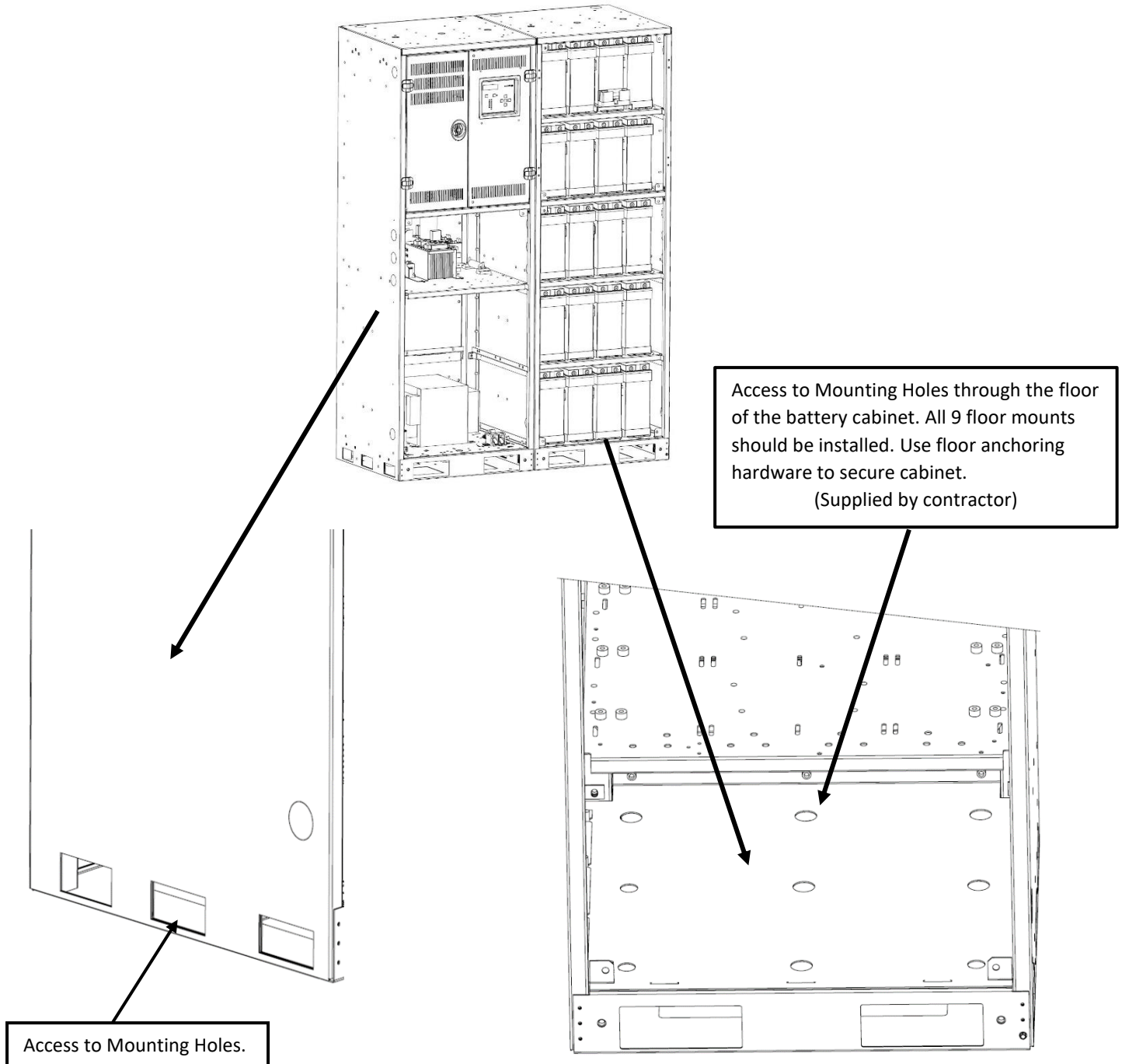
Front and Side View Outline Dimensions

STEP 1

Mounting the Cabinets

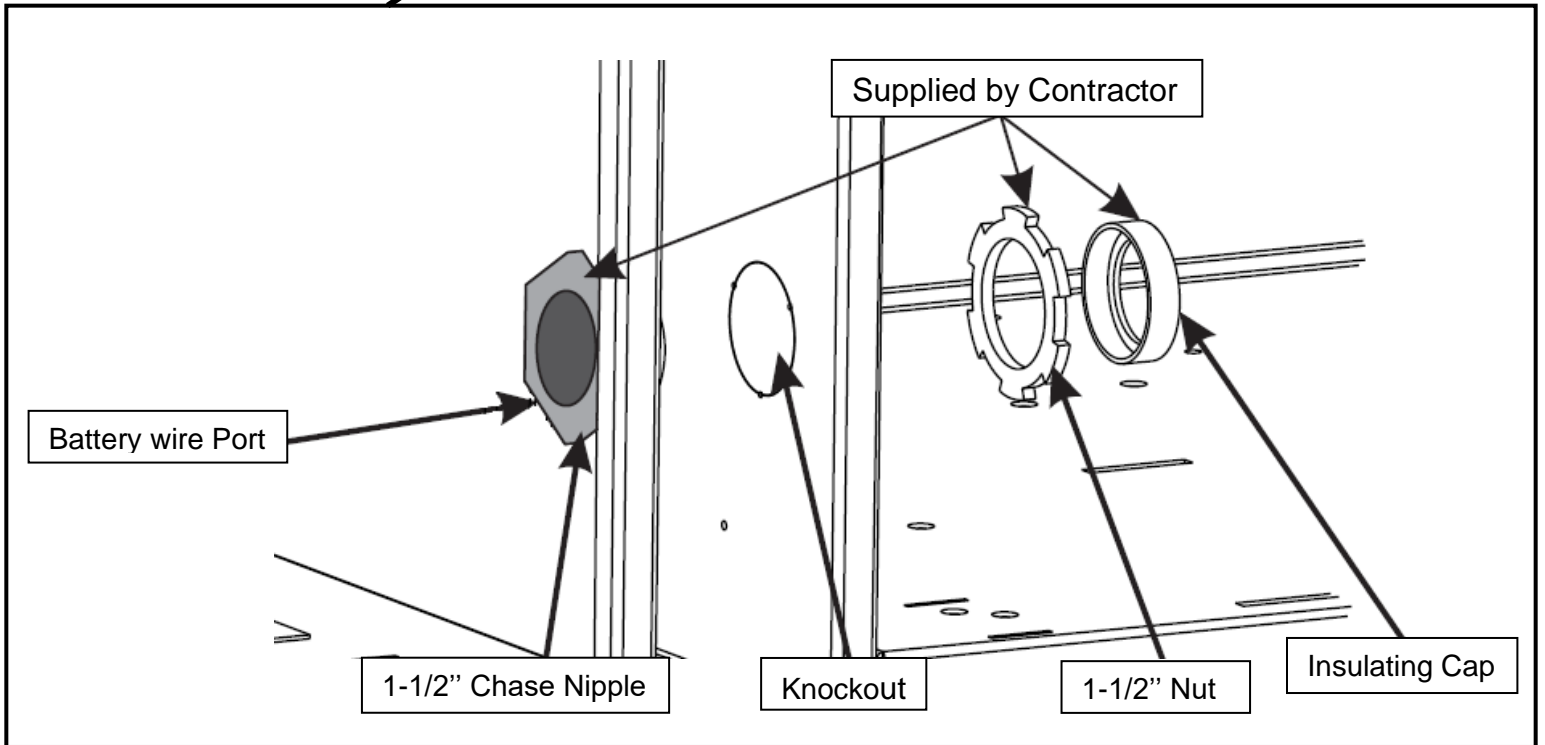
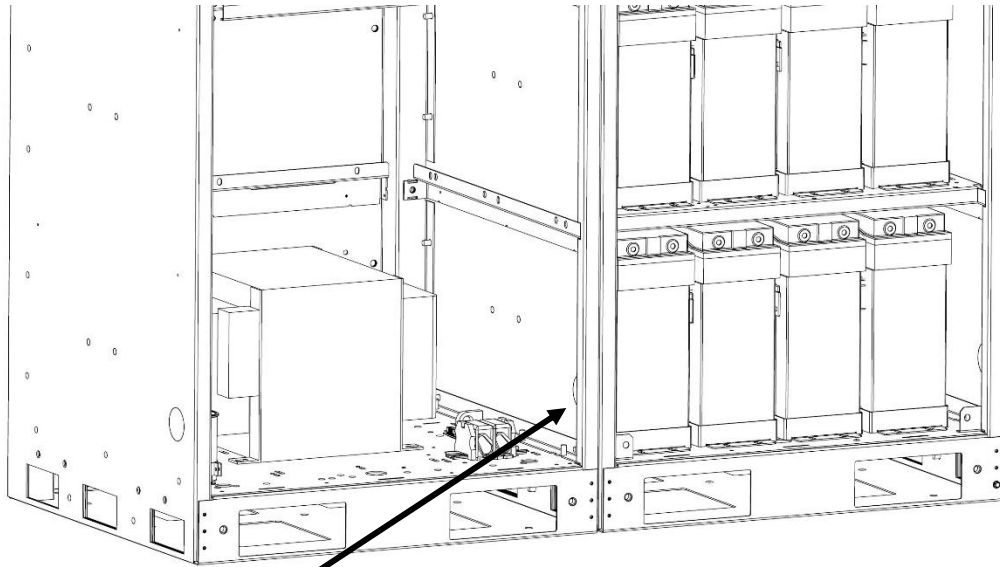
Prepare the floor so that it is level and smooth. Secure the Inverter Cabinet first, we recommend concrete wedge anchors such as the Hilti brand Wedge Anchor series Kwik Bolt TZ or equivalent. (Hardware provided by others).

Note - Uneven surfaces may cause difficult front cover removal/installation.



STEP 1 - Continued

Connecting the Cabinets



STEP 2

Install / Connect Batteries

Check List

Ensure that all the factory provided items are present and ready:

Batteries – Inspect each battery to ensure no shipping damage has occurred.

Battery Interconnect wires (pre-lugged) and String connection wires (black for negative, red for positive)

Battery Fuse

Busbars with hardware (bolt, flat washer, lock washer)

Temperature Sensor busbar

Tools required – Insulated torque wrench w/10mm socket, 3 mm Allen & 6 mm Allen for power distribution blocks.

Battery Loading and Connection Procedure

Important Note: This procedure provides step-by-step instructions for safely connecting batteries. It is crucial to follow these instructions carefully to ensure safety and correct installation.

Caution: Each battery can weigh up to 121 lbs. (55 kg). Exercise caution when lifting and handling batteries. Short-circuit current ratings of these batteries can reach several thousand amps. Always use extreme electrical safeguards to ensure proper handling and installation. Ensure proper PPE is worn when installing.

Note: These batteries are of the front access type. Each 12V battery has a positive terminal on the right and a negative terminal on the left. Each Busbar connects the positive terminal of one battery to the negative terminal of the other battery directly next to each other to form a series connection.

Ensure that all bolts are torqued to the correct setting (100 in-lbs. max). Do not over-torque the bolts, as it may lead to damage or complications.

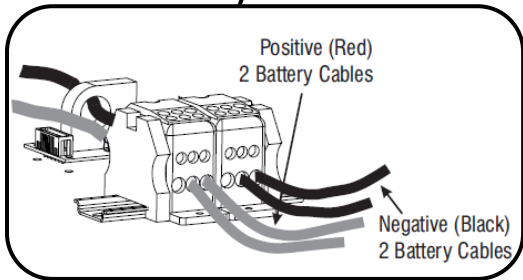
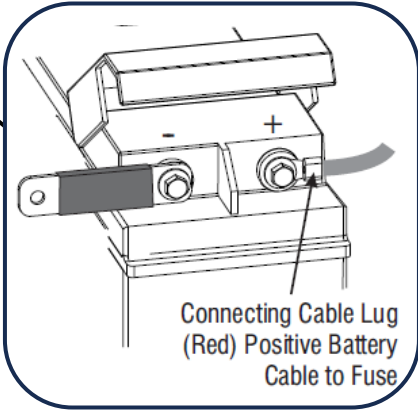
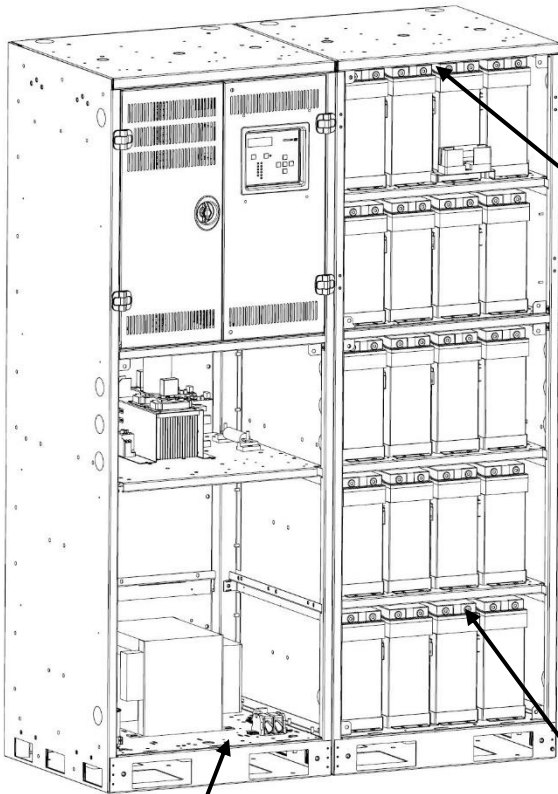
Pro-Tip - It is essential to secure the connections as you progress with the installation and not leave it until the end. This technique reduces the risk of forgetting or missing a bolt. As the number of connected batteries increases, the string voltage rises. Therefore, securing connections promptly is safer.

STEP 2 - Continued

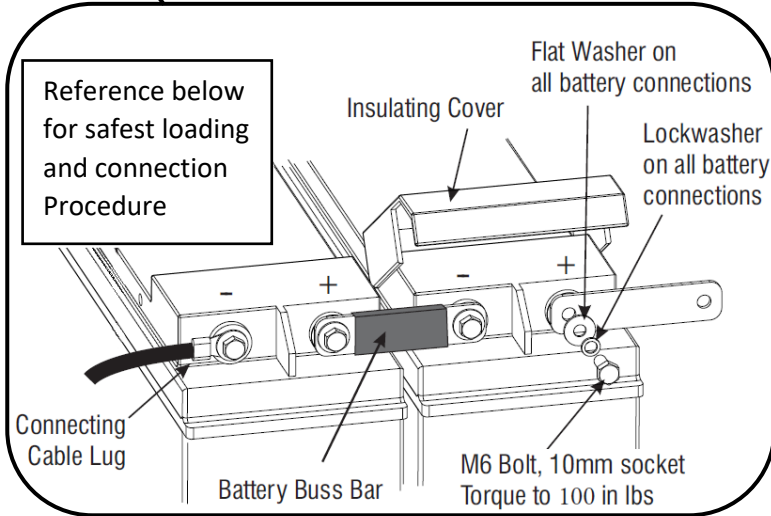
NOTE: Illustration is for 240VDC Model

240VDC requires 20 batteries.

192VDC requires 16 batteries.

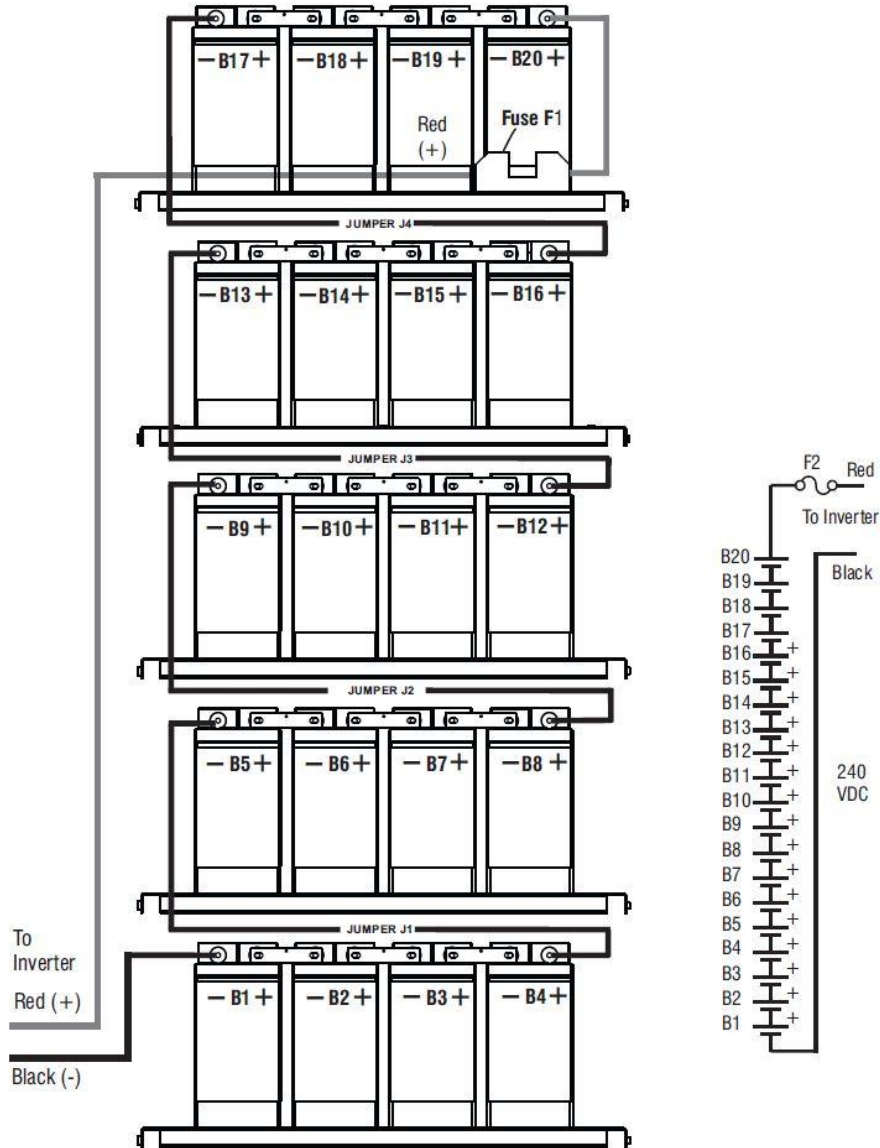


Inverter Battery Cable Connection Terminal Block
2 Battery Strings (parallel connection)



Reference below for safest loading and connection Procedure

STEP 2 - Continued



Single String Battery Connection - 240 VDC Systems

STEP 2 - Continued

2.1 Loading the Batteries - Load all the batteries into the cabinet such that 4 batteries are on each shelf.

2.2 Spacing the Batteries - Space the batteries equally and centered in the middle. Ensure proper alignment (front to back and side to side) for the bus bars to fit between the batteries on the battery terminals. Note - It is best to pre-fit the busbar between the batteries without installing the hardware to gauge the proper distance required between the batteries. Reposition batteries as necessary to ensure perfect alignment.

2.3 Measuring the Batteries - Measure the DC voltage of all the batteries. Each battery should measure at least 12.6-12.9 VDC. Please contact the factory immediately if any batteries measure below 12.6VDC.

Pro-Tip: It is beneficial to pre-make all bolt assemblies (flat-washer/lock-washer/bolt) and place two of these directly in front of each battery along with the busbar for easy access. Properly spacing the batteries for busbar fit and bolt preparation will be of great safety and time benefit!

Wiring the Batteries

Note - Please see wiring diagram mounted on the battery cabinet door and in the Contractors Guide.

2.4 String Positive and Negative Connection - Connect the factory-provided Red String connection wire (string positive) between the Inverter cabinet positive terminal and the battery cabinet fuse block. Connect the jumper wire from the fuse block to the positive terminal of the top right battery. Connect the Black String connection wire (string negative) between the Inverter cabinet's negative power distribution block to the negative terminal of the bottom left battery (string negative point).

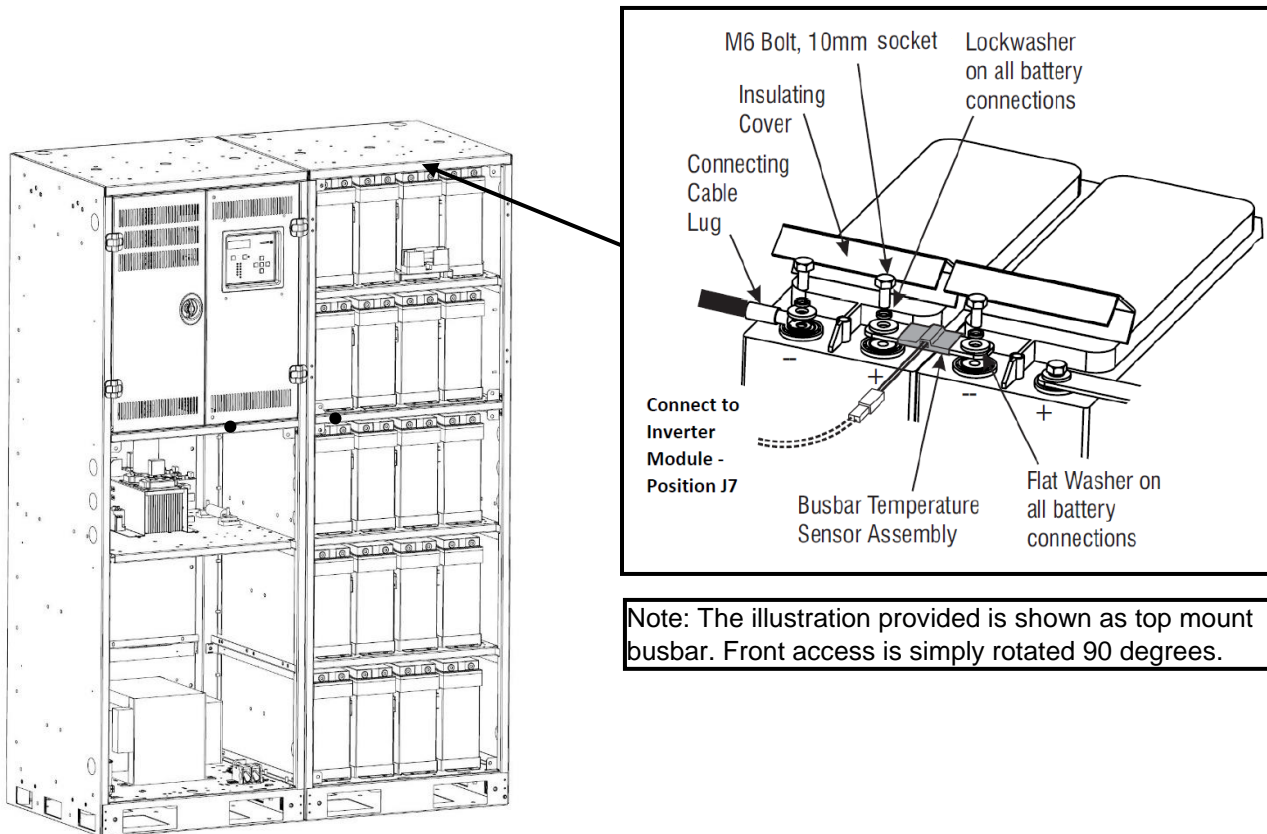
2.5 Battery-to-Battery Wire Connections - Connect the battery-to-battery Interconnect wires between shelves. Start with the positive terminal of the right battery on the bottom shelf and connect it to the negative terminal of the left battery on the shelf directly above. Repeat this process for all provided battery-to-battery Interconnect wires.

STEP 2 - Continued

2.6 Outside Busbars – At this time, only install two busbars per shelf which connects the outside left two batteries and the outside right two batteries. Note – Leaving the middle connection open at this time will keep the DC voltage to a maximum of 48VDC at any point in the cabinet. Repeat this operation for all the batteries on all battery shelves.

Caution – each time a busbar is connected in the next final steps, the battery string voltages get higher. Please exercise extreme caution and safety since the final string voltages are lethal.

2.7 Temperature Sensor (Top Busbar) - Connect the Temperature Sensor busbar in the middle of the top battery shelf.



Note: The illustration provided is shown as top mount busbar. Front access is simply rotated 90 degrees.

STEP 2 - Continued

2.8. Bottom Busbar - Connect the busbar to the middle on the bottom shelf.

2.9. Middle Busbars - Connect the middle bus bar above the bottom shelf, and then connect the middle busbar to the shelf below the top battery shelf.

2.10 Final Busbar - If the system has 16 batteries, the connections are complete. If the system has 20 batteries, make the final connection by connecting the middle busbar to the middle shelf. At this point, all busbars should be installed including the Temperature Sensor busbar.

Finalizing the Installation

2.11 Measuring DC Voltages - Measure the string voltage and ensure it meets the system requirements. String negative is on the far-left battery on the bottom shelf, string positive is on the far-right battery on the top shelf.

NOTE: For 20 batteries, the string voltage should measure at least 240 volts DC. For 16 batteries, the string voltage should measure at least 192 volts DC.

2.12 Temperature Sensor connection - Install the Temperature sense cable between the Temperature Sensor busbar and the inverter module. Note – the factory has pre-installed the sense wire into the inverter module, simply route the cable to the Temperature Sensor busbar.

2.13 Multi Battery Cabinet Configuration - If multiple cabinets and Battery Strings are used, repeat this process. Once finalized, install the DC Fuse into its fuse block located on the top shelf.

STEP 3

Install AC Conduit

See Illustrations on page 2 for Electrical Knock Outs (EKO's) locations.

Use Provided EKO's located on Top and Side of the Inverter Cabinet.

Note – Drilling into cabinets may VOID warranty. Exercise extreme caution and clean all metal shavings as short circuits may occur on electrical and electronic components.

EKO's are 1-1/2"

Input and Output Wires should be run in separate conduit per NEC.

Follow all Local and National Electrical Codes (NEC).

STEP 4

Install AC Wiring

Check the Inverter's rating plate to ensure the voltage input and feed breaker ratings match the Inverter's requirements.

Ensure the Inverter's AC Input Breaker CB1 and System On/Off switch is in the OFF (Down) position before starting.

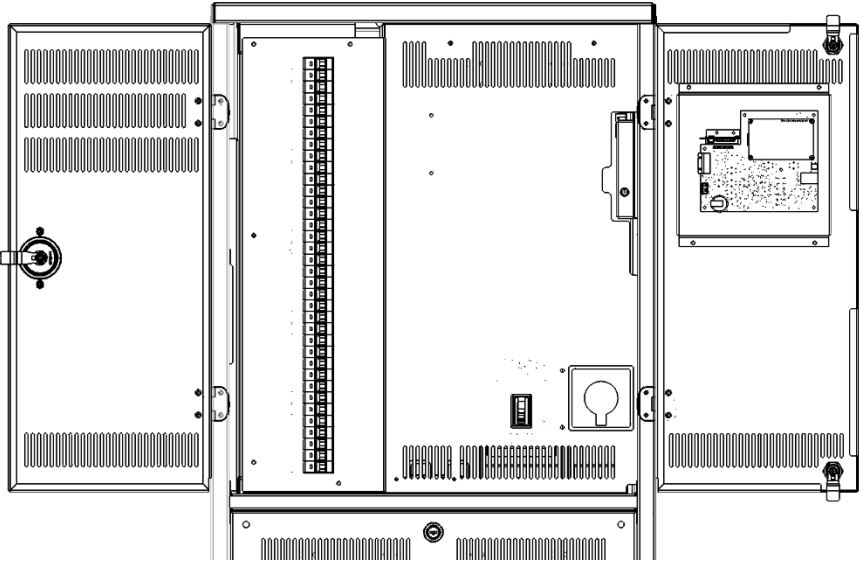
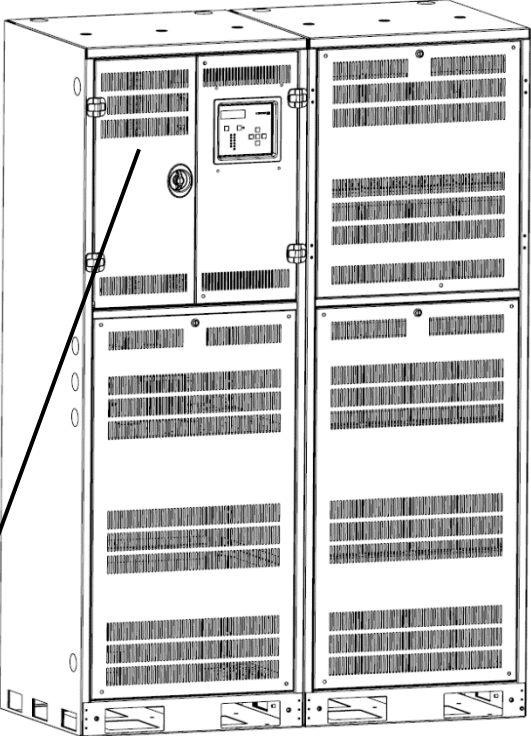
Wire AC input directly to the input breaker. If equipped with a maintenance bypass switch, wire directly to terminal blocks on din rail. Wire Input Neutral and Ground connections to appropriate Neutral and Ground Bars.

Connect AC output wires to the Normally-On terminal block on the left side of the cabinet or to output circuit breakers starting from the bottom if provided.

AC Output Breakers are Optional. Follow all Local and National Electrical Codes (NEC).

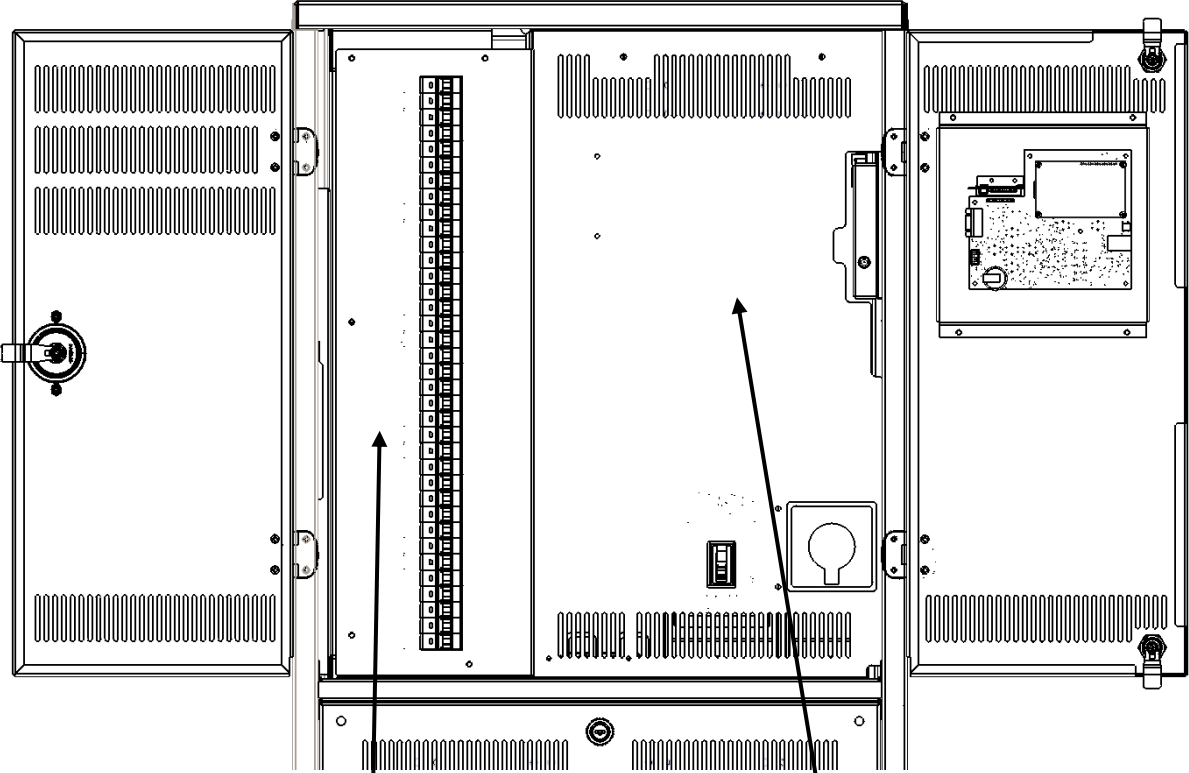
Note - Do not share Neutrals with Emergency and Non- Emergency loads.

STEP 4 - Continued



STEP 4-1
Begin with unlocking and opening both doors on inverter cabinet so that the protective panels can be removed to access wiring area.

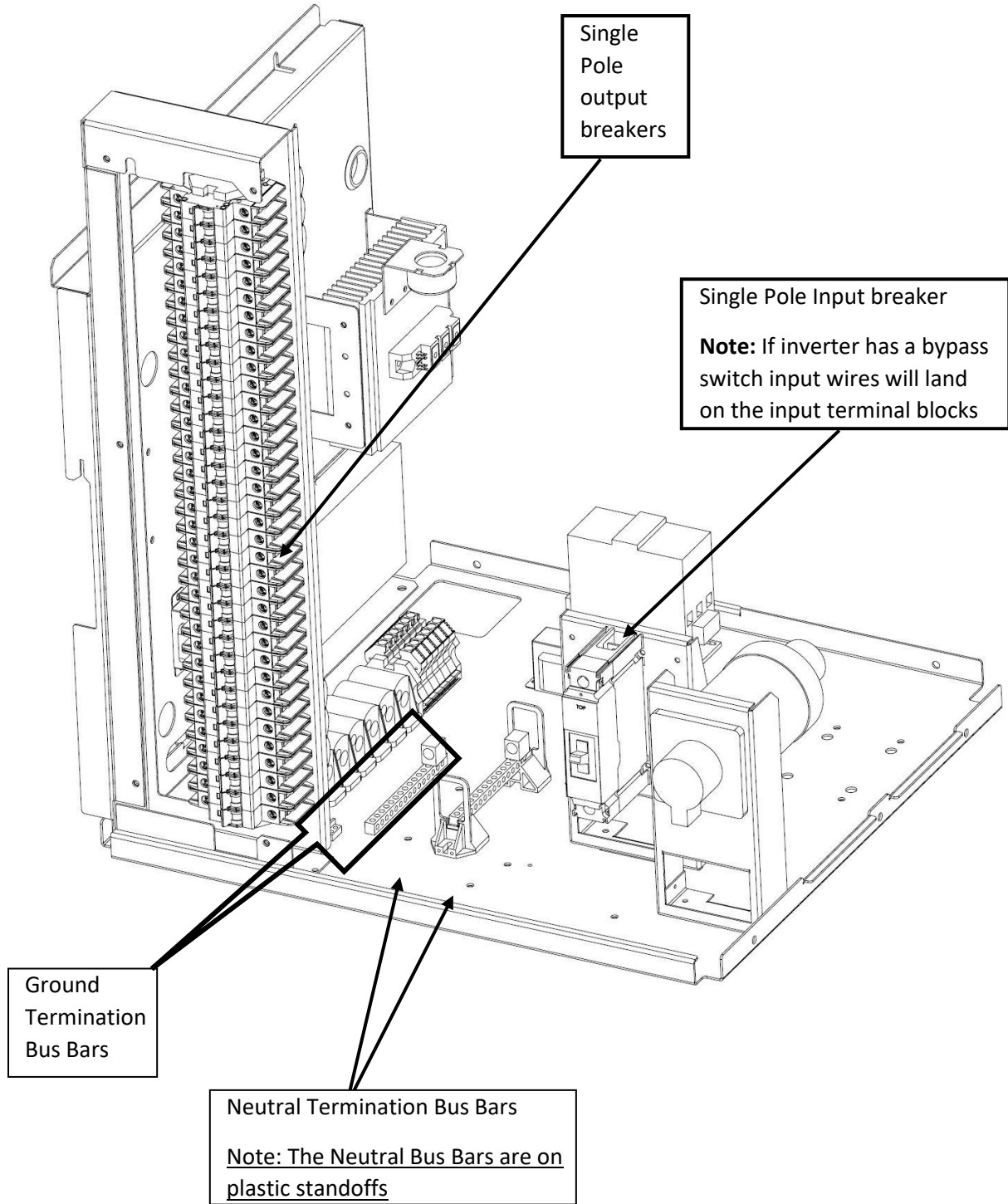
STEP 4 - Continued



STEP 4-2
Remove this panel first!
There are 8 screws total.

STEP 4-3
Remove this panel last.
There are 4 screws and 3
nuts total.

STEP 4 - Continued



STEP 5

Energize System

Ensure all work in previous steps have been completed in its entirety and there are no loose connections!

Ensure correct AC Power is present from the feed breaker and the lighting loads are connected per Step 4.

Turn on the Input Circuit Breaker CB1 (up position is ON).

Turn on the System's On/Off Switch (up position is ON) located behind the right of the Interface Panel. The System will go through start up diagnostics and go into charge mode if there are no errors. Press the system test button or momentarily drop AC power to energize emergency power and ensure that the inverter can support the lighting loads without going into a fault condition.

Replace and secure all AC Breaker Panels in reverse order under panel removal steps.

Contents of Shipment 17KW Models:

Batteries – 20 pcs for 17KW (240VDC string / 160AH – p.n.# B250024)

Battery Cable Kit – Busbars, Temperature Sensor, Bolts, flat and lock washers

Installation/Operation Manual and Contractors Guide

Tools Required for Installation:

(Typical all models)

3/8" Nut Driver and/or 3/8" Socket and Ratchet

Screwdrivers - Straight Blade, Phillips Head, Square Head (Robertson).

Insulated 10MM Socket and Ratchet – or – 10MM Wrench (Torque set to 100 in-lbs.)

3 mm & 6 mm Allen Head (Only for Side-by-Side mounting – Battery Cable Installation)

Hardware for securing cabinet to floor – i.e. Hilti Kwik Bolt TZ or equivalent.

Multi-Meter capable of DC and AC Measurements