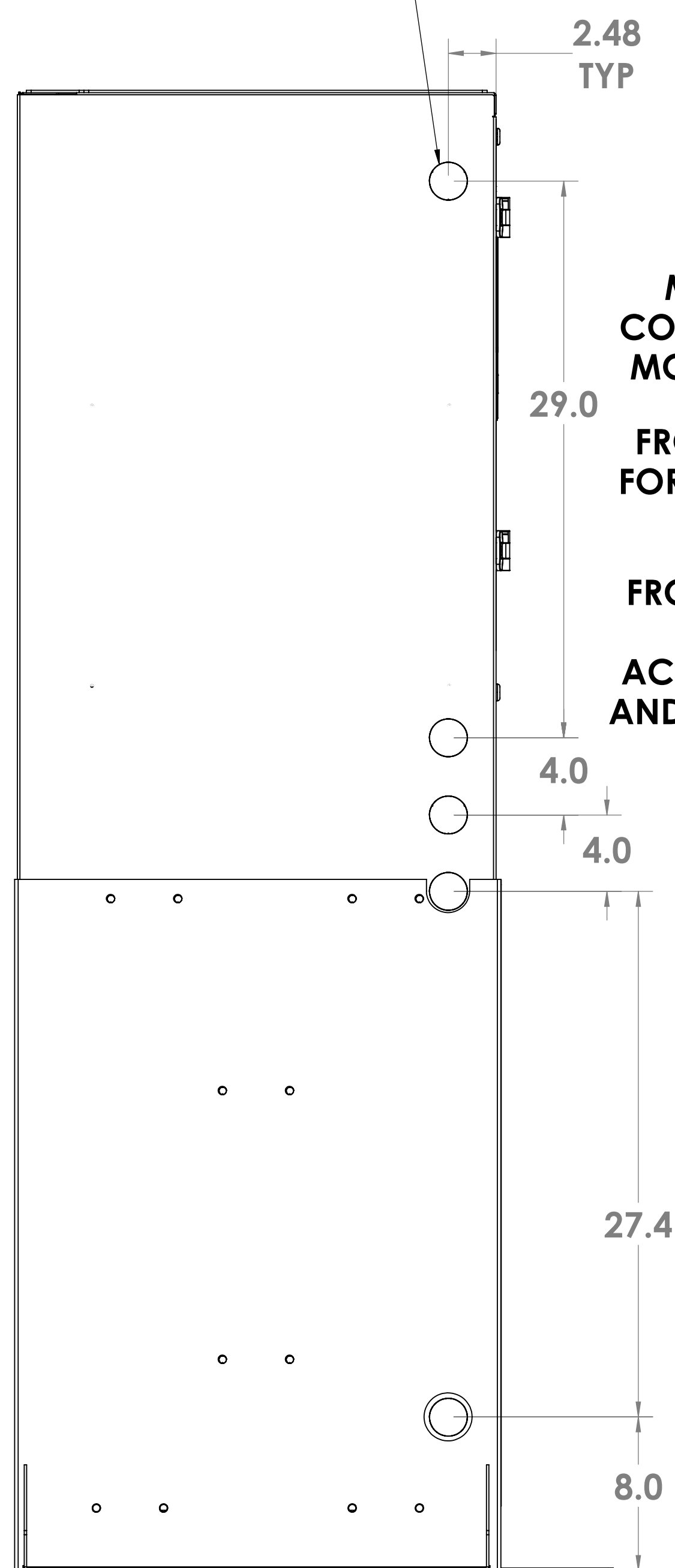
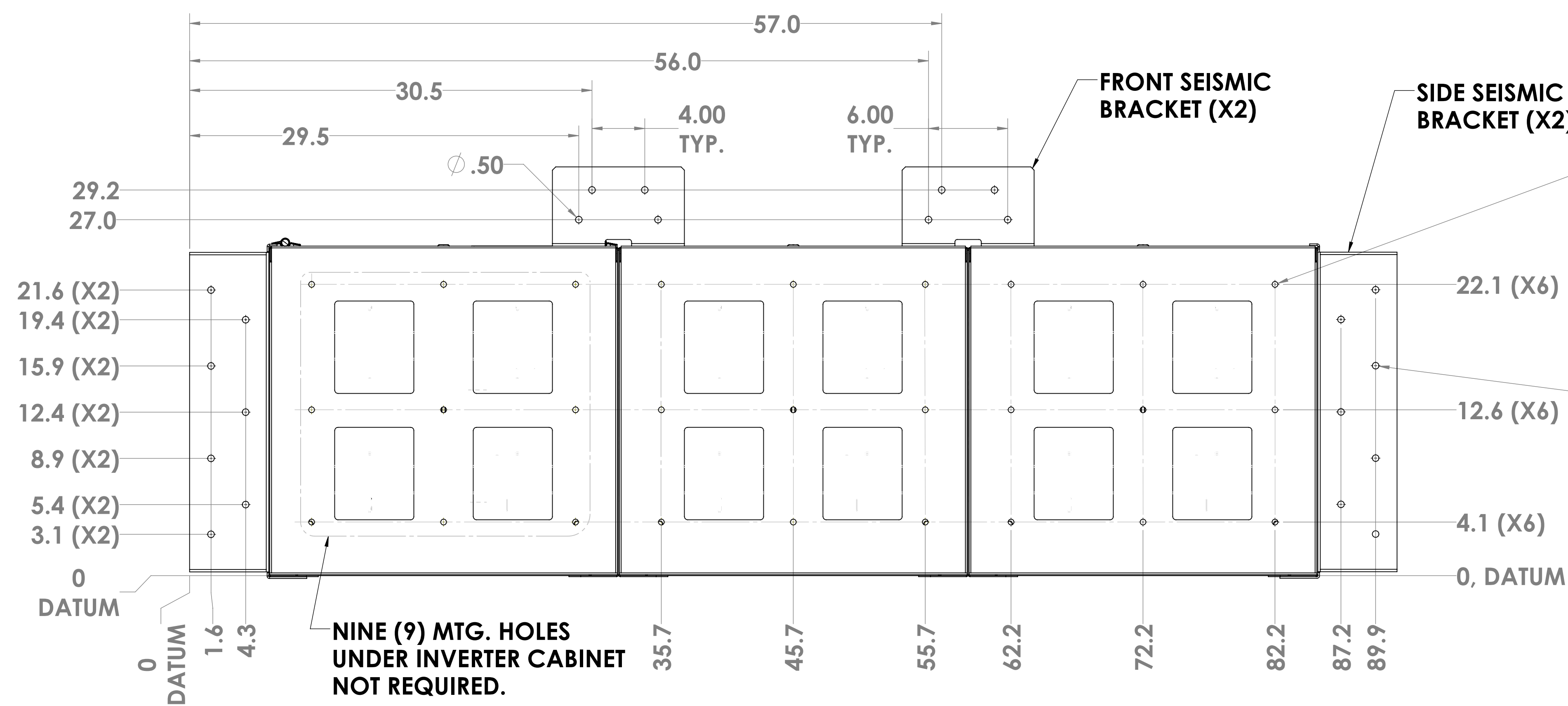
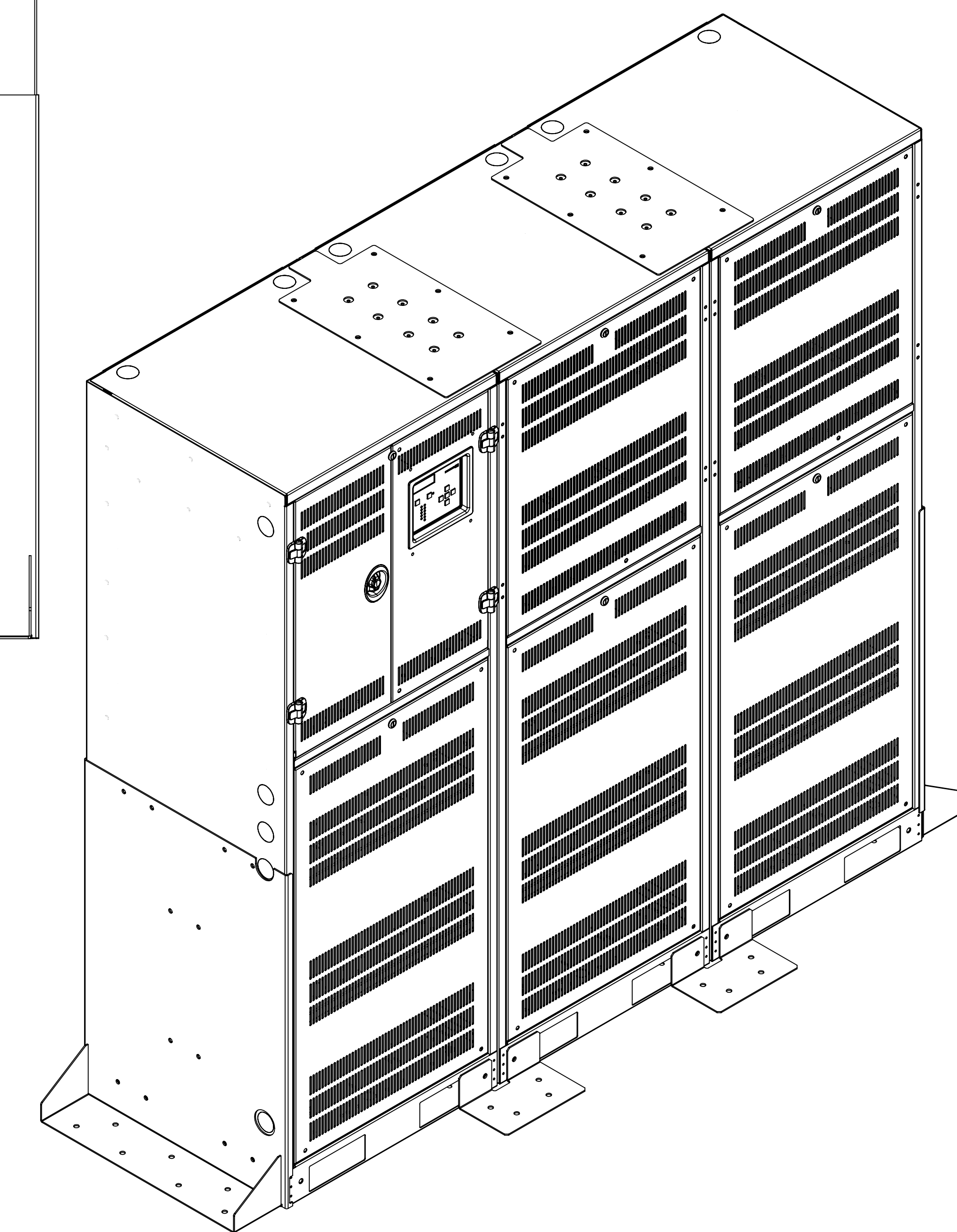
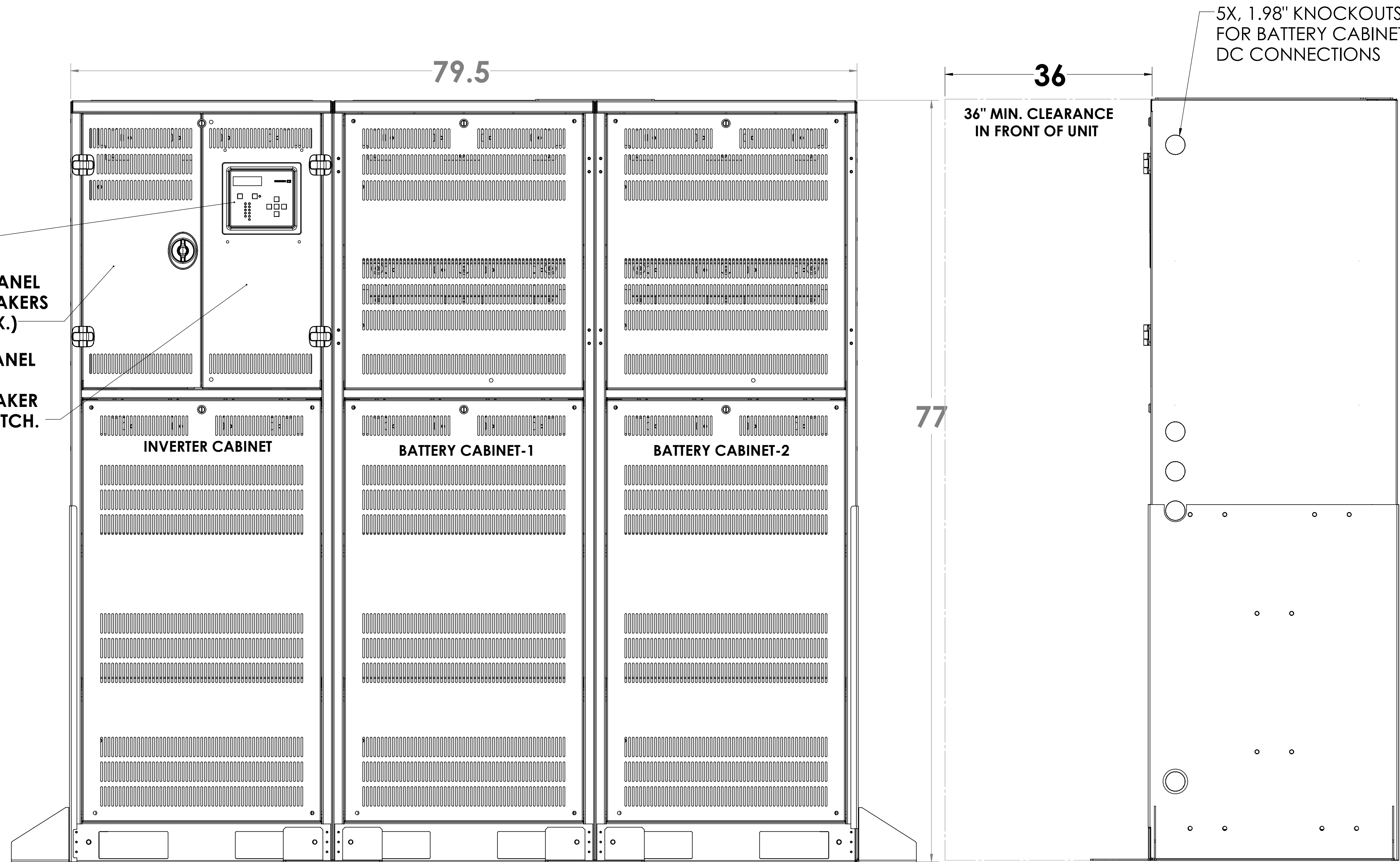


KNOCKOUT DIMENSIONS TYPICALLY BOTH SIDES



MMI CONTROL MODULE
 FRONT ACCESS PANEL FOR OUTPUT BREAKERS (QTY, 36 MAX.)
 FRONT ACCESS PANEL FOR INPUT AC CIRCUIT BREAKER AND BY PASS SWITCH.



Ø.44 CABINET BASE MOUNTING HOLES LOCATED UNDER BATTERY CABINETS (X18)

Ø.50 MOUNTING HOLES FOR FRONT & SIDE SEISMIC EXTENSION BRACKETS (X22)

22.1 (X6)
 12.6 (X6)
 4.1 (X6)
 0, DATUM