

## Instructions for Photoluminescent Exit Sign

Instructions for installation, operation, and maintenance of  
H3 Group's photoluminescent exit sign.  
— SAVE THESE INSTRUCTIONS —

PARTS LIST	Q U A N T I T Y	
Part Description	Single Face - Wall Mount /Bracket Mount PH1001WHU/PHP100SWHU	Double Face - Bracket Mount PH1002WHU/ PHP100DWHU
1 Exit Face Plate	1	2
2 Back Plate	1	N/A
3 Chevron (2/bag)	1	2
4 Filler (3/bag)	1	1
5 Mounting Bracket	1	1
6 Photoluminescent Panel	1	2
7 Fasteners For Mounting (screws and anchors)	1	1
8 Box	1	1
9 Instruction Sheet	1	1

### Installation:

Installation location(s) and exit sign type (single or double face) must be determined by local building codes and/or the Authority Having Jurisdiction (AHJ).

Installation of the H3 Group's photoluminescent exit sign requires a minimum of 5 foot-candles (54 lux) of LED, fluorescent, metal halide or mercury vapor light to illuminate the face(s) of the sign at all times of building occupancy.

Typical ambient lighting is usually sufficient to charge exit sign. Ambient light levels at sign location should be measured with a light meter to confirm that 5 foot-candles (54 lux) is present on exit sign face(s). There must be a minimum of 5 foot-candle (54 lux) on exit sign face(s) of LED, fluorescent, metal halide or mercury vapor light.

Installation of the H3 Group's photoluminescent exit sign is intended for interior locations.

## CAUTION: EXTERNAL ILLUMINATION SOURCE REQUIRED IMPORTANT SAFEGUARDS, READ AND FOLLOW ALL SAFETY INSTRUCTIONS.

Minimal external illumination — 5fc (54 lux) LED, fluorescent, metal halide or mercury vapor light

- The sign should be charged for minimum 60 minutes to obtain full operational conditions.
- The sign should be mounted in a manner that ensures rigidity and mechanical sufficiency.
- External illumination source must be reliable and supplied by a circuit not controlled by automatic timers or sensors and whose controls are accessible only to authorized personnel.
- External illumination source is to be energized at all times during building occupancy.
- Lighting levels on the sign face(s) should be confirmed after any change in external lighting types or levels.
- It is recommended that periodic visibility tests be performed in accordance with all applicable codes.
- Install this sign indoors only, where not exposed to direct sunlight, liquid spray or temperatures outside the range of +10° to 40° C.

### Assembly

Minimal assembly required.

### Maintenance

Perform inspections of the exit sign on at least a monthly basis, or as the local code demands, to confirm that the charging light is still operating and that no damage that affects legibility of the sign has occurred.

Cleaning of the sign face(s) with a damp cloth is recommended during monthly inspections. Any damage to the sign or concerns about performance should be brought to the attention of the Jessup Manufacturing Company, or to the representative from which the sign was purchased.

H3 Group's photoluminescent exit sign is designed to operate automatically. The charging light source must illuminate the face(s) of the sign in accordance with at least 5 foot-candles (54 lux) of LED, fluorescent, metal halide or mercury vapor light at all times during building occupancy to ensure that the sign will remain legible for at least 90 minutes.

There are three lighting conditions under which photoluminescent exit signs are required to operate.

#### Normal Lighting:

Under normal lighting conditions, illumination of the sign by a charging light will ensure that it is legible.

#### Emergency Lighting:

Under emergency lighting conditions, illumination of the sign by emergency lights and the internal glow provided by the sign will combine to ensure that it is legible.

#### In Darkness:

Under emergency black-out conditions, where power has been lost, the internal glow provided by the sign will ensure that it is legible.

MINIMUM 5 FOOT-CANDLE (54 LUX) OF LED, FLUORESCENT, METAL HALIDE  
OR MERCURY VAPOR ON SIGN FACE AT ALL TIMES DURING BUILDING OCCUPANCY.

— SAVE THESE INSTRUCTIONS —



## Mounting

Mounting of the sign can be made in the following ways:

- A. On a wall - Single face only.
- B. Projecting from a wall - Single face or double face.
- C. Projecting from a ceiling - Single face or double face.

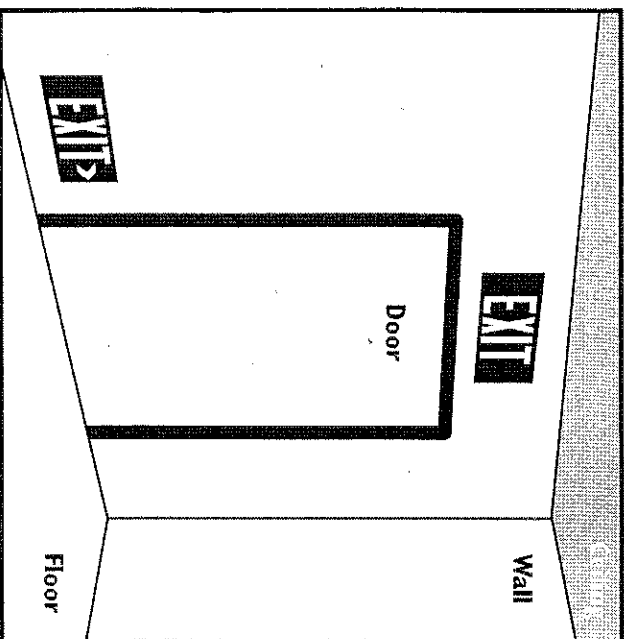
Note 1: When installing into drywall or concrete block, use expansion sets to ensure a firm grip. It is prudent to confirm that the mounting bracket (6) location on the wall or ceiling is appropriate (i.e. provides adequate clearances between assembled exit sign and other objects, such as walls, ceiling, or swinging doors) by holding the assembled exit sign in the mounting bracket (6) and holding the bracket in the desired location on the wall or ceiling. All clearances should then be confirmed as acceptable prior to the mounting bracket being fixed to the wall or ceiling.

Note 2: After installation is complete, the visibility of the sign from all potential viewing angles and distances should be confirmed.

### Mounting Position A:

Instructions:

- A-1: Mark pilot hole locations on wall using mounting holes in the back plate (4).
- A-2: Drill pilot holes in wall surface.
- A-3: Level and mount back plate to wall using mounting hardware (4).
- A-4: Insert frame screws (4) through mounting holes in wall and tighten.
- A-5: Snap exit face plate to back plate.
- A-6: Attach plastic filler strips (top and sides).
- A-7: Apply right and/or left chevrons (arrows) to face of sign.

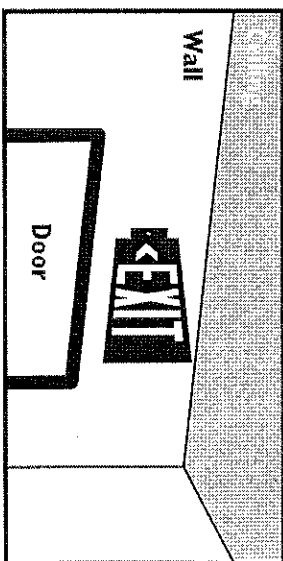


Sketch A

## Mounting Position B:

Instructions:

- B-1: Mark pilot hole locations on wall using mounting holes in mounting bracket (2).
- B-2: Drill pilot holes in wall surface.
- B-3: Level and mount bracket to wall using mounting hardware (2).
- B-4: Snap exit face plate to back plate.
- B-5: Attach side of exit sign into mounting bracket.
- B-6: Attach plastic filler strips (top and side).
- B-7: Apply right and/or left chevrons (arrows) to face of sign.

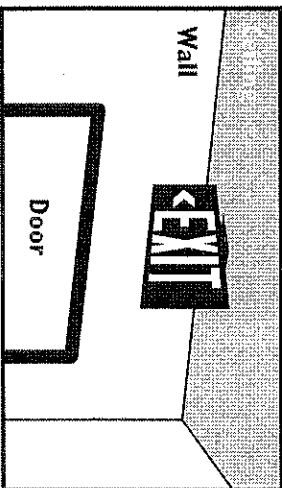


Sketch B

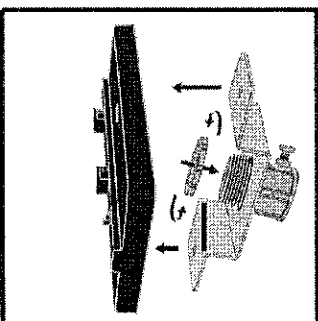
## Mounting Position C:

Instructions:

- C-1: Mark pilot hole locations on ceiling using mounting holes in mounting bracket (2).
- C-2: Drill pilot holes in ceiling surface.
- C-3: Level and mount bracket to ceiling using mounting hardware (2).
- C-4: Slide and snap exit face plate to back plate.
- C-5: Attach top of exit sign into mounting bracket.
- C-6: Attach plastic filler strips (sides).
- C-7: Apply right and/or left chevrons (arrows) to face of sign.



Sketch C



Sketch C (optional conduit mount)